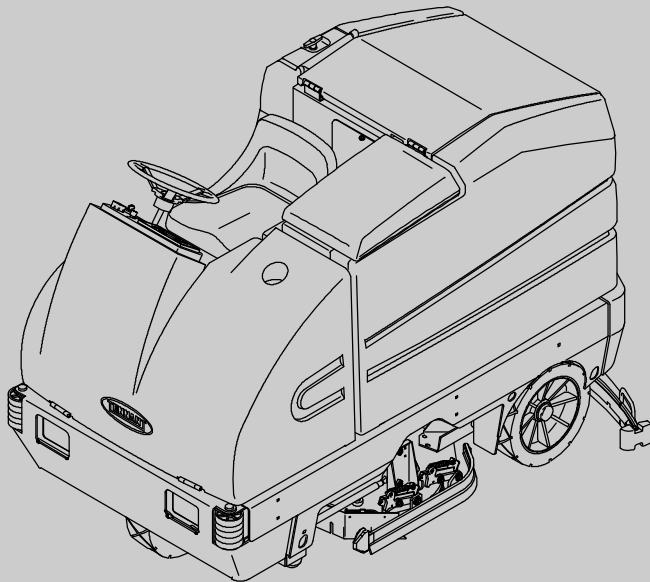




# 7300

## Rider Scrubber Parts Manual



***FAST***  
Foam Scrubbing Technology<sup>®</sup>  
***The Safe Scrubbing Alternative***<sup>®</sup>

**ecH<sub>2</sub>O**<sup>™</sup>  
ELECTRICALLY CONVERTED WATER

***ES***<sup>®</sup> ***Extended Scrub System***

**North America / International**

[www.tennantco.com](http://www.tennantco.com)

**330610**  
**Rev. 12 (06-2009)**



When ordering replacement parts, use the illustrated parts list section in this manual. Before ordering parts or supplies, be sure to have your machine model number and serial number available. Only use TENNANT Company supplied or equivalent parts. Parts and supplies may be ordered online, by phone, or mail from any authorized parts and service center, distributor or from any of the manufacturer's subsidiaries.

This machine will provide excellent service. However, the best results will be obtained at minimum costs if:

- The machine is operated with reasonable care.
- The machine is maintained regularly - per the machine maintenance instructions provided.
- The machine is maintained with manufacturer supplied or equivalent parts.

---

## MACHINE DATA

---

Please fill out at time of installation for future reference.

Model No.- \_\_\_\_\_

Serial No.- \_\_\_\_\_

Machine Options - \_\_\_\_\_

Sales Rep. - \_\_\_\_\_

Sales Rep. phone no. - \_\_\_\_\_

Customer Number - \_\_\_\_\_

Installation Date - \_\_\_\_\_

### Machine Data Plate



**Tennant Company**  
PO Box 1452  
Minneapolis, MN 55440  
Phone: (800) 553-8033 or (763) 513-2850  
[www.tennantco.com](http://www.tennantco.com)

Thermo-Sentry, SmartRelease, SuperScrub, and MaxPro are US registered and unregistered trademarks of Tennant Company.

Specifications and parts are subject to change without notice.

Copyright © 2000 - 2002, 2004 - 2009 TENNANT Company, Printed in U.S.A.

## HOW TO USE THIS MANUAL

This section on *HOW TO USE THIS MANUAL* will tell you how to:

- Find important machine information for ordering correct repair parts.
- Find TENNANT part numbers.
- Order TENNANT parts and supplies.

### IMPORTANT INFORMATION

When placing an order for parts, the machine model and machine serial number are important. Refer to the *MACHINE DATA* box which is filled out during the installation of your machine. The *MACHINE DATA* box is located on the inside of the front cover of this manual.

MACHINE DATA - MASCHINEN-DATEN - DONNEES CONCERNANT LA MACHINE	
Please fill out at time of installation for future reference. Bitte bei Inbetriebnahme der Maschine ausfüllen für zukünftige Referenz. Veuillez compléter au moment de la mise en service comme référence future.	
Machine Model Number - 7300 Maschinen Modell - 7300 Numéro de modèle de la machine - 7300	
Machine Serial Number - Maschinen Serien Nummer - Numéro de série de la machine -	
Machine Options - Maschinen Optionen - Options de la machine -	
TENNANT Representative Name - TENNANT Vertretung (Cf. fig. 2) - Nom de l'installateur représentant TENNANT -	
Customer ID Number - Kunden Nummer - Numéro d'identification du client -	
Date of Installation - Installationsdatum - Date d'installation -	
Manual Number - 330616 Handbuch Bestell Nummer - 330616 Numéro du manuel - 330616	
Revision: 00 Print Number: 00 Edition: 00	
Published: 5-00 Ausgaben: 5-00 Date de publication: 6-00	

The model number of your machine is on the side of the machine.



The serial number of your machine is printed on the machine data plate located as shown.



# HOW TO USE THIS MANUAL

## FINDING A TENNANT PART NUMBER

This manual contains the following sections:

- HOW TO USE THIS MANUAL
- STANDARD PARTS
- OPTIONS
- BREAKDOWNS
- CROSS REFERENCE

The STANDARD PARTS section lists repair parts for standard machines. They are grouped in this general order:

- General wear parts.
- Machine frame and related parts.
- Machine propelling system.
- Scrubbing components.
- Electrical parts.

The OPTION section lists repair parts of options.

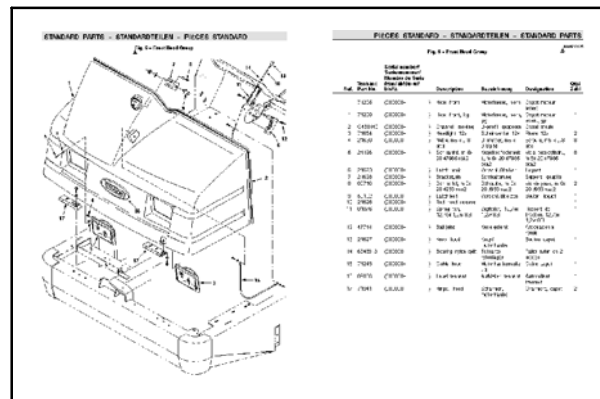
The BREAKDOWN section lists available repair parts of major components.

All sections in this manual consist of parts illustrations and corresponding parts lists.

The parts illustrations are numbered with **Ref** numbers which refer to corresponding parts lists.

The parts lists include a number of columns of information:

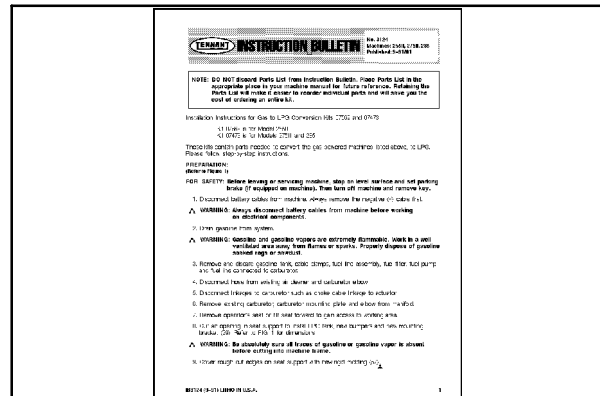
- **Ref** - column refers to the reference number on the parts illustration.
- ▽ - indicates the part is an assembly.
- ▲ - indicates the part is included in the assembly listed just before it.
- **TENNANT Part No.** - column lists the TENNANT part number for the part.
- **Serial Number** - column indicates the set of machines the part number is applicable to. Serial numbers change when the machine design has been modified. The most current design of the machine is shown in the main illustration, older designs are boxed in a corner of the illustration.
- **Description** - column is a brief description of the part.
- **Qty.** - column lists the quantity of that part used in that area of the machine.



Ref.	Tennant Part No.	Serial number/ Seriennummer/ Número de Serie from/ab/du-to/ bis/à	Description	Bezeichnung	Designation	Qty/ Zahl
▼	1 87365	(000000-)	Gearbox	Getriebe	Boîte de vitesses	1
▲	2 87040	(000000-)	O-ring	O-ring	Joint torique	2
▲	3 87041	(000000-)	Flug	Stopfen	Douillon	2
▲	4 87839	(000000-)	Flg-ansa, 106.997	Schmierrippe, 106.997	Graisseur, 106.997	2
▲	6 87849	(000000-)	Driving gear	Getriebe	Mécanisme d'entraînement	1
▲	6 12640	(000000-)	Bolt, wheel	Radbolzen	Boulon roue	6
▲	7 81791	(000000-)	Bearing and housing	Lagergehäuse	Boîtier roulement	1
6	12646	(000000-)	Seal o-ring	O-ring-dichtung	Joint torique d'étanchéité	1
9	80198	(000000-)	Motor, traction 36v	Motor traction 36v	Motor traction 36v	1
10	02076	(000000-)	Cover, terminal ung	Batteriepolabdeck ung	Cache pole batterie	4

**NOTE:** If a service kit is installed on your machine, be sure to keep the **INSTRUCTION BULLETIN** which came with the kit. It contains repair parts numbers needed for ordering future parts.

**NOTE:** Fasteners used in this machine may be metric or non-metric. Take care when replacing hardware to replace with same thread size.



## PLACING AN ORDER

Orders may be placed by phone, fax, or by mail. Phone orders may need written confirmation. Follow the steps below to insure prompt delivery:

1. Identify the model number of your machine.
2. Identify the serial number of your machine.
3. Find the part number of the part you need. Do not order by page number or reference number. If you are not able to find the part number, call your TENNANT representative for help or send the old part as a sample.
4. Determine the quantity of the part you need.
5. Provide the following company information:
  - Company name
  - Customer ID Number
  - Shipping address
  - Billing address
  - First and last name of person ordering parts
  - Telephone number
  - Purchase order number
6. Provide definitive shipping instructions.

## HOW TO USE THIS MANUAL

---

Any claim for loss or damage to a shipment in transit should be filed promptly with the transportation company making the delivery. Shipments will be complete unless the packing list or order acknowledgement indicates items back ordered.

If parts received are suspected to be incorrect or defective, please contact the TENNANT representative from whom you ordered the part. They will give authorization for return and/or handle replacement shipments when required.

## SECTION 2

Contents	Page
Fig. 1 - General Recommended Maintenance Items .....	2-2
Fig. 2 - Brushes, Replacement for MaxPro 1000 .....	2-4
Fig. 3 - Brushes, Replacement for MaxPro 1200 .....	2-6
Fig. 4 - Main Frame Group .....	2-8
Fig. 5 - Covers Group, Front .....	2-10
Fig. 6 - Covers Group, Rear .....	2-12
Fig. 7 - Electrical Instrument Panel Group .....	2-14
Fig. 8 - Steering Group .....	2-16
Fig. 9 - Seat Group .....	2-18
Fig. 10 - Directional Control Group .....	2-20
Fig. 11 - Wheel Group, Front Drive .....	2-22
Fig. 12 - Brake Pedal Group .....	2-24
Fig. 13 - Wheel And Brake Group, Rear ...	2-26
Fig. 14 - Solution Tank Group .....	2-28
Fig. 15 - FaST Solution Pump Group (000000-003746) .....	2-30
Fig. 16 - FaST Air Pump and Detergent Group (000000-003746) .....	2-32
Fig. 17 - FaST Foam Filter Group (000000-003746) .....	2-34
Fig. 18 - FaST Pumps and Detergent Group (003747- ) .....	2-36
Fig. 19 - Solution Control Group .....	2-38
Fig. 20 - Recovery Tank Group .....	2-40
Fig. 21 - Recovery Tank Drain Assembly ..	2-42
Fig. 22 - Vacuum Fan Group .....	2-44
Fig. 23 - Scrub Head Lift Group .....	2-46
Fig. 24 - Max Pro 1000 (Disc-Brush) Scrub Head Frame Group .....	2-48
Fig. 25 - Max Pro 1000 (Disc-Brush) Scrub Head Linkage Group .....	2-50
Fig. 26 - Max Pro 1000 (Disc-Brush) Solution Valve Group .....	2-52
Fig. 27 - Max Pro 1000 (Disc-Brush) Solution Valve Group (FaST/ec-H2O) .....	2-54
Fig. 28 - Max Pro 1000 (Disc-Brush) Edge Scrub Group .....	2-56
Fig. 29 - Max Pro 1000 (Disc-Brush) Right Side Squeegee Group .....	2-58
Fig. 30 - Max Pro 1000 (Disc-Brush) Left Side Squeegee Group .....	2-60
Fig. 31 - Squeegee Linkage Group, Rear ...	2-62
Fig. 32 - Squeegee Lift Group, Rear .....	2-64
Fig. 33 - Max Pro 1000 Rear Squeegee Group .....	2-66

Contents	Page
Fig. 34 - Electrical Control Box Circuit Breaker Group .....	2-68
Fig. 35 - Electrical Control Box Contactor Group (000000- 001705) .....	2-70
Fig. 36 - Electrical Control Box Contactor Group (001706- ) .....	2-72
Fig. 37 - Electrical Control Box Wires Group (000000- 001705) .....	2-74
Fig. 38 - Eleactrical Control Box Wires Group (001706- ) .....	2-76
Fig. 39 - Electrical Circuit Board Group ...	2-78
Fig. 40 - Electrical Group, FaST (000000-003746) .....	2-80
Fig. 41 - Electrical Group, FaST (003747- ) .....	2-81
Fig. 42 - Electrical Schematic (000000-003746) .....	2-82
Fig. 43 - Electrical Schematic (003747- ) .....	2-86
Fig. 44 - Electrical Wire Harness Group, Main .....	2-91
Fig. 45 - Eleactrical Wire Harness Group, FaST (000000-003746) .....	2-101
Fig. 46 - Eleactrical Wire Harness Group, FaST (003747- ) .....	2-102
Fig. 47 - Label Group .....	2-103

# STANDARD PARTS

Fig. 1 - General Recommended Maintenance Items

Ref.	Tennant Part No.	Machine Serial Number	Description	Qty.
	387660	(000000-	) Tire Assy, Solid, 16.2x6.0 5.7bc/5bolt	1
	387014	(000000-	) Tire Assy, 16 X 5 X 12.12	2
	66213	(000000-	) Kit, Brake	2
	66211	(000000-	) Brake Shoes	2
	1037822	(000000-	) Filter, Panl, Dust, 2.0 X 06.1 X 07.6	1
	387023	(000000-	) Hose, Vacuum	1
	386267	(000000-	) Hose, Vacuum, 91.0l	1
	20833	(000000-	) Wheel, 3.0d 1.38w 0.50b	2
	223044	(000000-	) Headlight, 36vdc, 15cp 0.7a [#0534242]	2
	386053	(000000-	) Belt, Drive (Cylindrical Brush)	1
	71101	(000000-	) Cable, .12d, 13.3l, .2clevis/.2clevis	1
▽	386020	(000000-	) Kit, Maint, 800hr, [7300-Mp1000-Disk]	1
▲	386284	(000000-	) Blade, Sqge, Rear	1
▲	386283	(000000-	) Blade, Sqge, Front	1
▲	386387	(000000-	) Skirt, Front, Scrub Head, 2-Brush, Ele	1
▲	386388	(000000-	) Skirt, Rear, Scrub Head, 2-Brush, Ele	1
▲	387294	(000000-	) Skirt, Side, Scrbr Head, Ele	1
▲	386260	(000000-	) Squeegee, Side	1
▲	20833	(000000-	) Wheel, 3.0d 1.38w 0.50b	1
▲	71101	(000000-	) Cable, .12d, 13.3l, .2clevis/.2clevis	1
▲	387023	(000000-	) Hose, Vacuum	1
▲	386267	(000000-	) Hose, Vacuum, 91.0l	1
▲	1037822	(000000-	) Filter, Panl, Dust, 2.0 X 06.1 X 07.6	1
▲	66213	(000000-	) Kit, Brake	1
▲	386223	(000000-	) Gasket, Tank, Recovery	1
▲	79320	(000000-	) Gasket, Cap, Drain	1
▲	223264	(000000-	) Seal, Rbr, Clsd, 0.25th, 5.8d 03.3h	1
▲	386323	(000000-	) Gasket, Mtg, Fan	1
▽	386021	(000000-	) Kit, Maint, 800hr, [7300-Mp1200-Disk]	1
▲	386834	(000000-	) Blade, Sqge, Rear 48.0l	1
▲	386833	(000000-	) Blade, Sqge, Front 48.0l	1
▲	386825	(000000-	) Skirt, Front, Scrub Head, 3-Brush, Ele	1
▲	386826	(000000-	) Skirt, Rear, Scrub Head, 3-Brush, Ele	1
▲	386260	(000000-	) Squeegee, Side	1
▲	20833	(000000-	) Wheel, 3.0d 1.38w 0.50b	1
▲	71101	(000000-	) Cable, .12d, 13.3l, .2clevis/.2clevis	1
▲	387023	(000000-	) Hose, Vacuum	1
▲	386267	(000000-	) Hose, Vacuum, 91.0l	1
▲	1037822	(000000-	) Filter, Panl, Dust, 2.0 X 06.1 X 07.6	1
▲	66213	(000000-	) Kit, Brake	1
▲	386223	(000000-	) Gasket, Tank, Recovery	1
▲	79320	(000000-	) Gasket, Cap, Drain	1
▲	223264	(000000-	) Seal, Rbr, Clsd, 0.25th, 5.8d 03.3h	1
▲	386323	(000000-	) Gasket, Mtg, Fan	1



Fig. 1 - General Recommended Maintenance Items

Ref.	Tennant Part No.	Machine Serial Number	Description	Qty.
▽	386022	(000000-	) Kit, Maint, 800hr, [7300-Mp1000-Cyl]	1
▲	386284	(000000-	) Blade, Sqge, Rear	1
▲	386283	(000000-	) Blade, Sqge, Front	1
▲	20833	(000000-	) Wheel, 3.0d 1.38w 0.50b	1
▲	71101	(000000-	) Cable, .12d, 13.3l, .2clevis/.2clevis	1
▲	387023	(000000-	) Hose, Vacuum	1
▲	386267	(000000-	) Hose, Vacuum, 91.0l	1
▲	386053	(000000-	) Belt, Drive	1
▲	1037822	(000000-	) Filter, Panl, Dust, 2.0 X 06.1 X 07.6	1
▲	66213	(000000-	) Kit, Brake	1
▲	386223	(000000-	) Gasket, Tank, Recovery	1
▲	79320	(000000-	) Gasket, Cap, Drain	1
▲	223264	(000000-	) Seal, Rbr, Clsd, 0.25th, 5.8d 03.3h	1
▲	386323	(000000-	) Gasket, Mtg, Fan	1
▽	386023	(000000-	) Kit, Maint, 800hr, [7300-Mp1200-Cyl]	1
▲	386834	(000000-	) Blade, Sqge, Rear 48.0l	1
▲	386833	(000000-	) Blade, Sqge, Front 48.0l	1
▲	20833	(000000-	) Wheel, 3.0d 1.38w 0.50b	1
▲	71101	(000000-	) Cable, .12d, 13.3l, .2clevis/.2clevis	1
▲	387023	(000000-	) Hose, Vacuum	1
▲	386267	(000000-	) Hose, Vacuum, 91.0l	1
▲	386053	(000000-	) Belt, Drive	1
▲	1037822	(000000-	) Filter, Panl, Dust, 2.0 X 06.1 X 07.6	1
▲	66213	(000000-	) Kit, Brake	1
▲	386223	(000000-	) Gasket, Tank, Recovery	1
▲	79320	(000000-	) Gasket, Cap, Drain	1
▲	223264	(000000-	) Seal, Rbr, Clsd, 0.25th, 5.8d 03.3h	1
▲	386323	(000000-	) Gasket, Mtg, Fan	1
▽	387506	(000000-	) Kit, Maint, 800hr [7300-Mp1200-Disk-Vac]	1
▲	386284	(000000-	) Blade, Sqge, Rear	1
▲	386283	(000000-	) Blade, Sqge, Front	1
▲	386285	(000000-	) Clamp Wldt, Front	1
▲	386286	(000000-	) Clamp Wldt, Rear	1
▲	386260	(000000-	) Squeegee, Side	1
▲	20833	(000000-	) Wheel, 3.0d 1.38w 0.50b	1
▲	71101	(000000-	) Cable, .12d, 13.3l, .2clevis/.2clevis	1
▲	387023	(000000-	) Hose, Vacuum	1
▲	386514	(000000-	) Hose, Vacuum, 58.5l	1
▲	1005026	(001703-	) Kit, Modif, Ftg Location, [Discvac]	1
▲	11399	(000000-	) Clamp, Hose, Wormdrive, 0.81-1.50d	1
▲	387545	(000000-	) Blade Assy, Sqge, Side	1
▲	387546	(000000-	) Blade, Squeegee	1
▲	386326	(000000-	) Filter, Fan	1
▲	66213	(000000-	) Kit, Brake	1
▲	386223	(000000-	) Gasket, Tank, Recovery	1
▲	79320	(000000-	) Gasket, Cap, Drain	2
▲	223264	(000000-	) Seal, Rbr, Clsd, 0.25th, 5.8d 03.3h	1
▲	386323	(000000-	) Gasket, Mtg, Fan	1
▲	387256	(000000-001702)	) Hose, Vacuum, 35.0l	1
▲	387517	(000000-001702)	) Hose Assy, W/2 Cuff, 1.0d 41.0l	1

Fig. 2 - Brushes, Replacement for MaxPro 1000

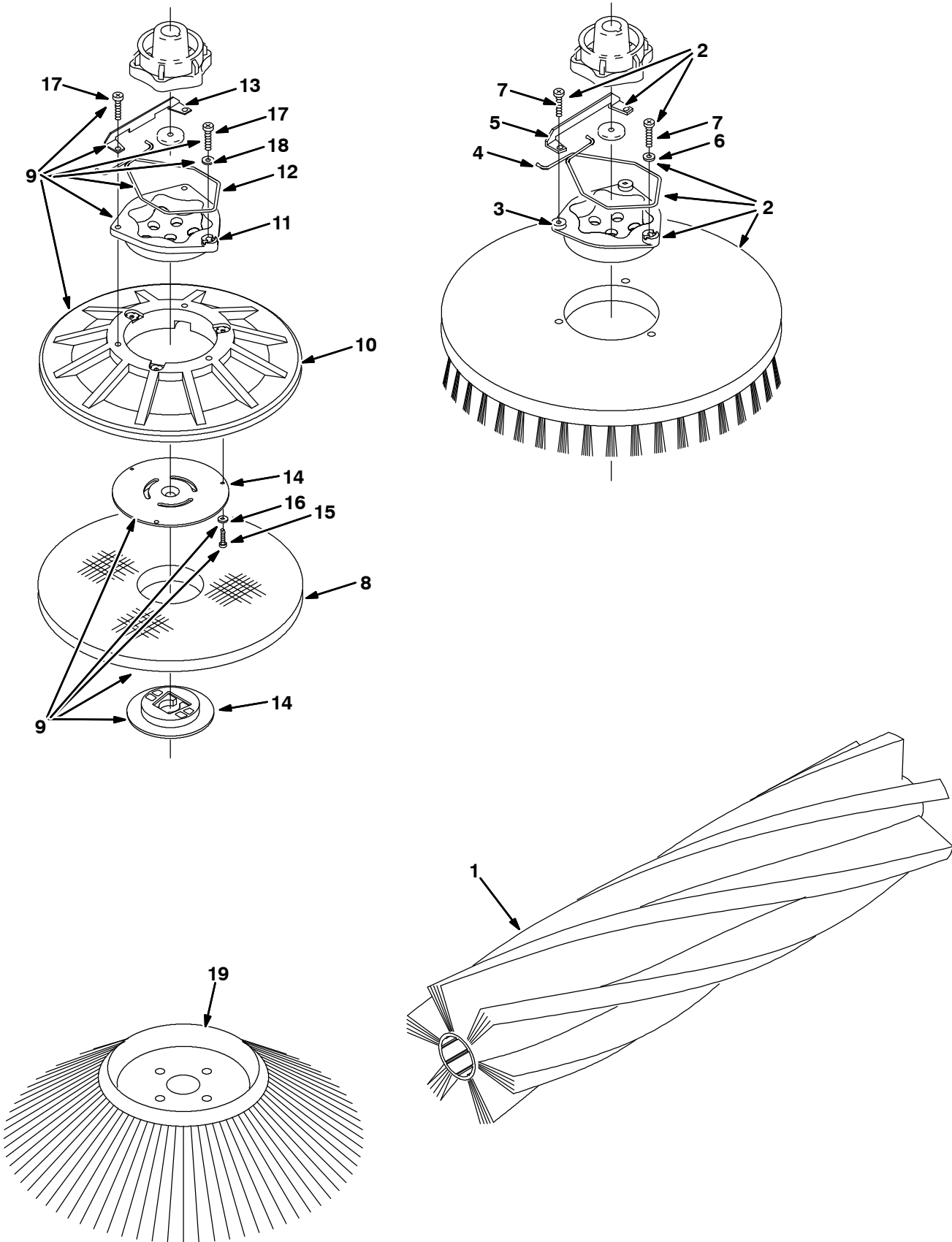


Fig. 2 - Brushes, Replacement for MaxPro 1000

Ref.	Tennant Part No.	Machine Serial Number	Description	Qty.
	1 386230	(000000-	) Brush, Scrub, 39l, 20sr, Pyp, Spl	2
	1 386240	(000000-	) Brush, Scrub, 39l, 20sr, Super Abr, Spl	2
	1 386250	(000000-	) Brush, Scrub, 39l, 20sr, Nyl, Spl	2
▽	2 14967	(000000-	) Brush Assy, Disk, Scb, 20.0 D, Nyl	2
▲	3 15539	(000000-	) Adaptor, Brush	1
▲	4 14838	(000000-	) Spring, Wir, 0.16d, Brush Retaining	1
▲	5 24299	(000000-	) Bracket, Retainer, Spring	1
▲	6 01684	(000000-	) Washer, Flt, .25 Ss	1
▲	7 32746	(000000-	) Screw, Pan, M06 X 1.0 X 35, Ss	3
▽	2 14953	(000000-	) Brush Assy, Disk, Scb, 20.0 D, Pyp	2
▲	3 15539	(000000-	) Adaptor, Brush	1
▲	4 14838	(000000-	) Spring, Wir, 0.16d, Brush Retaining	1
▲	5 24299	(000000-	) Bracket, Retainer, Spring	1
▲	6 01684	(000000-	) Washer, Flt, .25 Ss	1
▲	7 32746	(000000-	) Screw, Pan, M06 X 1.0 X 35, Ss	3
▽	2 378951	(000000-	) Brush Assy, Disk, Scb, 20.0 D, Super Abr	2
▲	3 15539	(000000-	) Adaptor, Brush	1
▲	4 14838	(000000-	) Spring, Wir, 0.16d, Brush Retaining	1
▲	5 24299	(000000-	) Bracket, Retainer, Spring	1
▲	6 01684	(000000-	) Washer, Flt, .25 Ss	1
▲	7 32746	(000000-	) Screw, Pan, M06 X 1.0 X 35, Ss	3
	8 17260	(000000-	) Pad, Polish, 20.0d, White	2
	8 17261	(000000-	) Pad, Buff, 20.0d, Red	2
	8 17262	(000000-	) Pad, Scrub, 20.0d, Blue	2
	8 17263	(000000-	) Pad, Strip, 20.0d, Brown	2
	8 370094	(000000-	) Pad, Stripping, 20.0D[Hi Prod,Black	2
	8 1051030	(000000-	) Pad, Surf Prep, 20.0D [Mar, 1Pick=1Pad]	2
▽	9 397920	(000000-	) Driver Assy, Pad, 20.0D	2
▲	10 370080	(000000-	) Disk, Pad Drive, W/ Face, 20d	1
▲	11 15539	(000000-	) Adaptor, Brush	1
▲	12 14838	(000000-	) Spring, Wir, 0.16d, Brush Retaining	1
▲	13 24299	(000000-	) Bracket, Retainer, Spring	1
▲	14 370090	(000000-	) Device, Centering	1
▲	15 09198	(000000-	) Screw, Pan, M04 X 0.7 X 35, Ss	3
▲	16 41579	(000000-	) Washer, Flt, #08 Ss	3
▲	17 32746	(000000-	) Screw, Pan, M06 X 1.0 X 35, Ss	3
▲	18 01684	(000000-	) Washer, Flt, .25 Ss	1
	19 87419	(000000-	) Brush, Disk, Swp, 19.0D, Pyp (Option)	1

Fig. 3 - Brushes, Replacement for MaxPro 1200

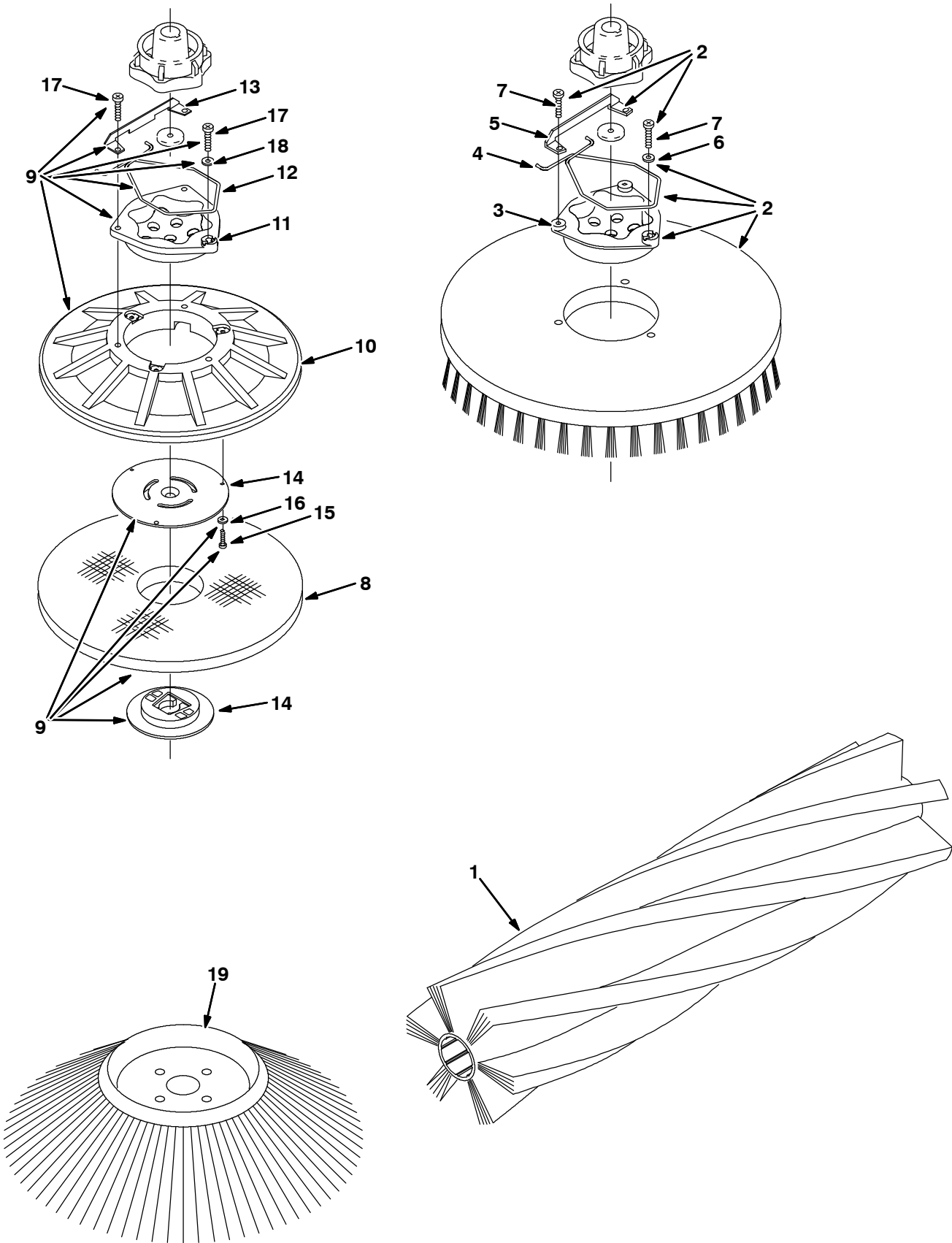


Fig. 3 - Brushes, Replacement for MaxPro 1200

Ref.	Tennant Part No.	Machine Serial Number	Description	Qty.	
1	386231	(000000-	) Brush, Scrub, 47l, 20sr, Pyp, Spl	2	
1	386241	(000000-	) Brush, Scrub, 47l, 20sr, Super Abr, Spl	2	
1	386251	(000000-	) Brush, Scrub, 47l, 20sr, Nyl, Spl	2	
▽	2	1042504	(000000-	) Brush Assy, Disk, Scb, 16.0D, Super Abrasive	3
▲	3	1017368	(000000-	) Hub, Drive, Brush, Disk, 3 Hole 5.8Bc	1
▲	4	14838	(000000-	) Spring, Wir, 0.16d, Brush Retaining	1
▲	5	24299	(000000-	) Bracket, Retainer, Spring	1
▲	6	01684	(000000-	) Washer, Flt, .25 Ss	1
▲	7	32746	(000000-	) Screw, Pan, M06 X 1.0 X 35, Ss	3
▽	2	1042499	(000000-	) Brush Assy, Disk, Scb, 16.0D, Nylon	3
▲	3	1017368	(000000-	) Hub, Drive, Brush, Disk, 3 Hole 5.8Bc	1
▲	4	14838	(000000-	) Spring, Wir, 0.16d, Brush Retaining	1
▲	5	24299	(000000-	) Bracket, Retainer, Spring	1
▲	6	01684	(000000-	) Washer, Flt, .25 Ss	1
▲	7	32746	(000000-	) Screw, Pan, M06 X 1.0 X 35, Ss	3
▽	2	30241	(000000-	) Brush Assy, Disk, Scb, 16.0 D, Pyp	3
▲	3	1017368	(000000-	) Hub, Drive, Brush, Disk, 3 Hole 5.8Bc	1
▲	4	14838	(000000-	) Spring, Wir, 0.16d, Brush Retaining	1
▲	5	24299	(000000-	) Bracket, Retainer, Spring	1
▲	6	01684	(000000-	) Washer, Flt, .25 Ss	1
▲	7	32746	(000000-	) Screw, Pan, M06 X 1.0 X 35, Ss	3
	8	63248-1	(000000-	) Pad, Strip, 16.0d, Brown	3
	8	63248-2	(000000-	) Pad, Scrub, 16.0d, Blue	3
	8	63248-3	(000000-	) Pad, Buff, 16.0d, Red	3
	8	63248-4	(000000-	) Pad, Polish, 16.0d, White	3
	8	370092	(000000-	) Pad, Stripping, 16.0d[Hi Prod,Black	3
	8	<del>1051030</del>	(000000-	) Pad, Surf Prep, <del>20.0D</del> [Mar, 1Pick=1Pad]	3
▽	9	397916	(000000-	) Driver Assy, Pad, 16D	3
▲	10	397976	(000000-	) Disk, Pad Driver, W/Face, 16D	1
▲	11	15539	(000000-	) Adaptor, Brush	1
▲	12	14838	(000000-	) Spring, Wir, 0.16d, Brush Retaining	1
▲	13	24299	(000000-	) Bracket, Retainer, Spring	1
▲	14	370095	(000000-	) Device, Centering	1
▲	15	09198	(000000-	) Screw, Pan, M04 X 0.7 X 35, Ss	3
▲	16	41579	(000000-	) Washer, Flt, #08 Ss	3
▲	17	32746	(000000-	) Screw, Pan, M06 X 1.0 X 35, Ss	3
▲	18	01684	(000000-	) Washer, Flt, .25 Ss	1
	19	87419	(000000-	) Brush, Disk, Swp, 19.0D, Pyp (Option)	1

1051027

**Fig. 4 - Main Frame Group**

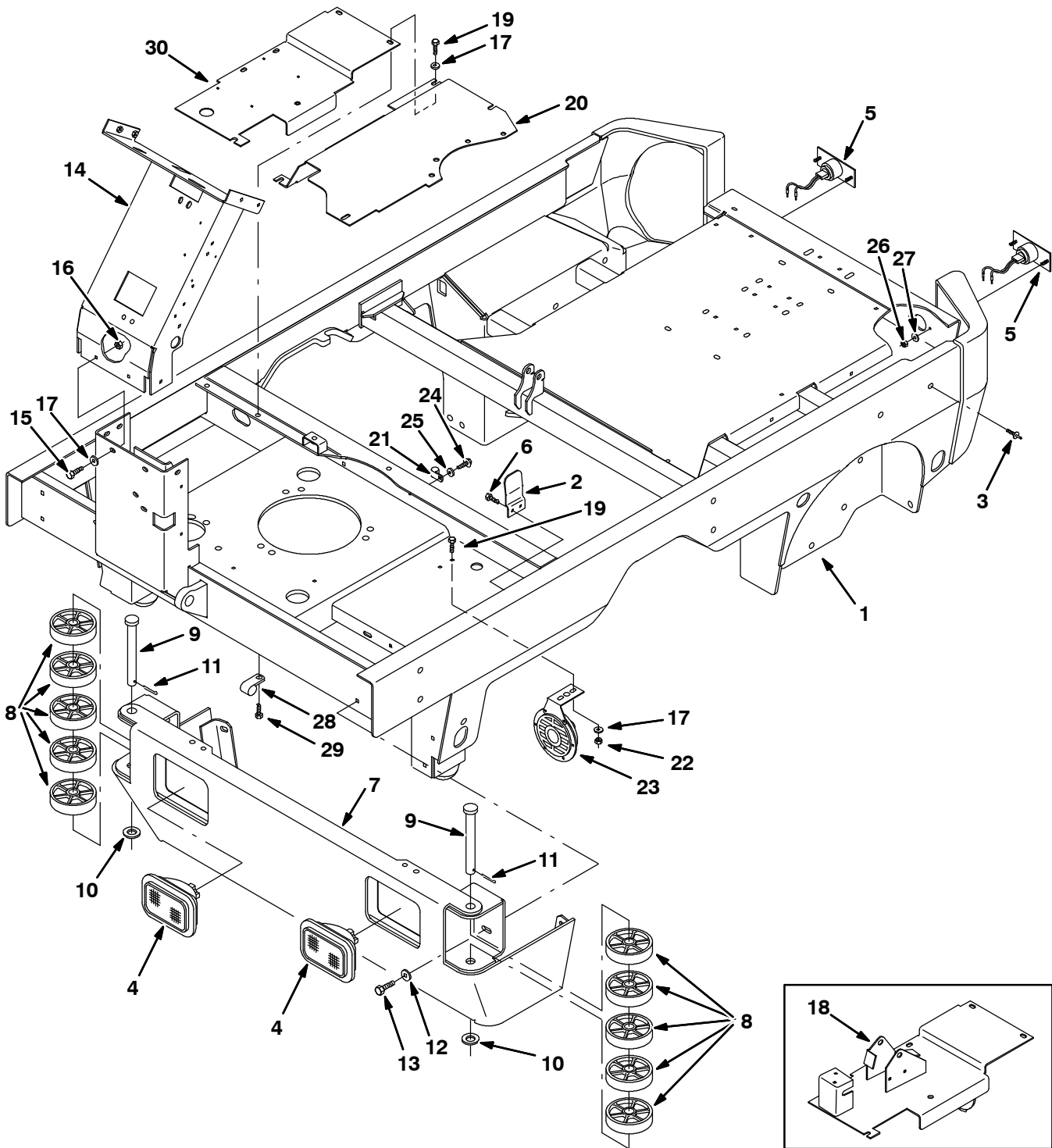


Fig. 4 - Main Frame Group

Ref.	Tennant Part No.	Machine Serial Number	Description	Qty.	
1	386200	(000000-	) Frame	1	
2	386923	(000000-	) Plate, Cover	1	
3	365252	(000000-	) Rivet, Plstc, .25 D X 0.75	24	
▽	4	223044	(000000-	) Headlight, 36vdc, 15cp, 0.7a	2
▲	360518	(000000-	) Lamp, 36vdc, 32cp, .72a	1	
▽	5	87346	(000000-	) Taillight, 12vdc, 3.6 X 1.9, Rework 87277	2
▲	87948	(000000-	) Lamp	1	
▲	87949	(000000-	) Lampholder	1	
6	06943	(000000-	) Screw, Hex, M06 X 1.0 X 20, 8.8	2	
7	386480	(000000-	) Bumper Wldt	1	
8	364085	(000000-	) Wheel, 4.0d 0.98w 0.78b	10	
9	51414	(000000-	) Pin, Clevis, 0.75 D X 6.50l	2	
10	39350	(000000-	) Washer, Flt, .75 Sae	2	
11	08236	(000000-	) Pin, Cotter, .156 X 1.25	2	
12	01685	(000000-	) Washer, Flt, .31 Ss	8	
13	09740	(000000-	) Screw, Hex, M08 X 1.25 X 20, Ss	8	
14	386450	(000000-	) Channel Wldt, Steering	1	
15	16931	(000000-	) Screw, Hex, M08 X 1.25 X 20, 8.8	5	
16	08709	(000000-	) Nut, Hex, Lock, M08 X 1.25,NI	5	
17	32491	(000000-	) Washer, Flt, .31 Std	12	
18	386157	(000000-001946	) Plate Wldt, Floor	1	
19	16735	(000000-	) Screw, Hex, M08 X 1.25 X 16, 8.8	12	
20	386159	(000000-	) Plate, Floor, Upper	1	
21	67767	(000000-	) Clamp, Cable, Stl, 0.69d X 0.62w, 1h	1	
22	07791	(000000-	) Nut, Hex, Flng, M08 X 1.25	2	
23	369702	(000000-	) Horn, 36vdc, Dba	1	
24	12459	(000000-	) Screw, Hex, M06 X 1.0 X 20, Fmg	1	
25	01684	(000000-	) Washer, Flt, .25 Ss	1	
26	01713	(000000-	) Nut, Hex, Lock, M05 X 0.8, Ni	4	
27	32980	(000000-	) Washer, Lock, Int, #10	4	
28	67767	(000000-	) Clamp, Cable, Stl, 0.69d X 0.62w, 1h	2	
29	361339	(000000-	) Screw, Hex, M06 X 1.0 X 16, Fmg	2	
30	387654	(001947-	) Plate, Floor	1	

Fig. 5 - Covers Group, Front

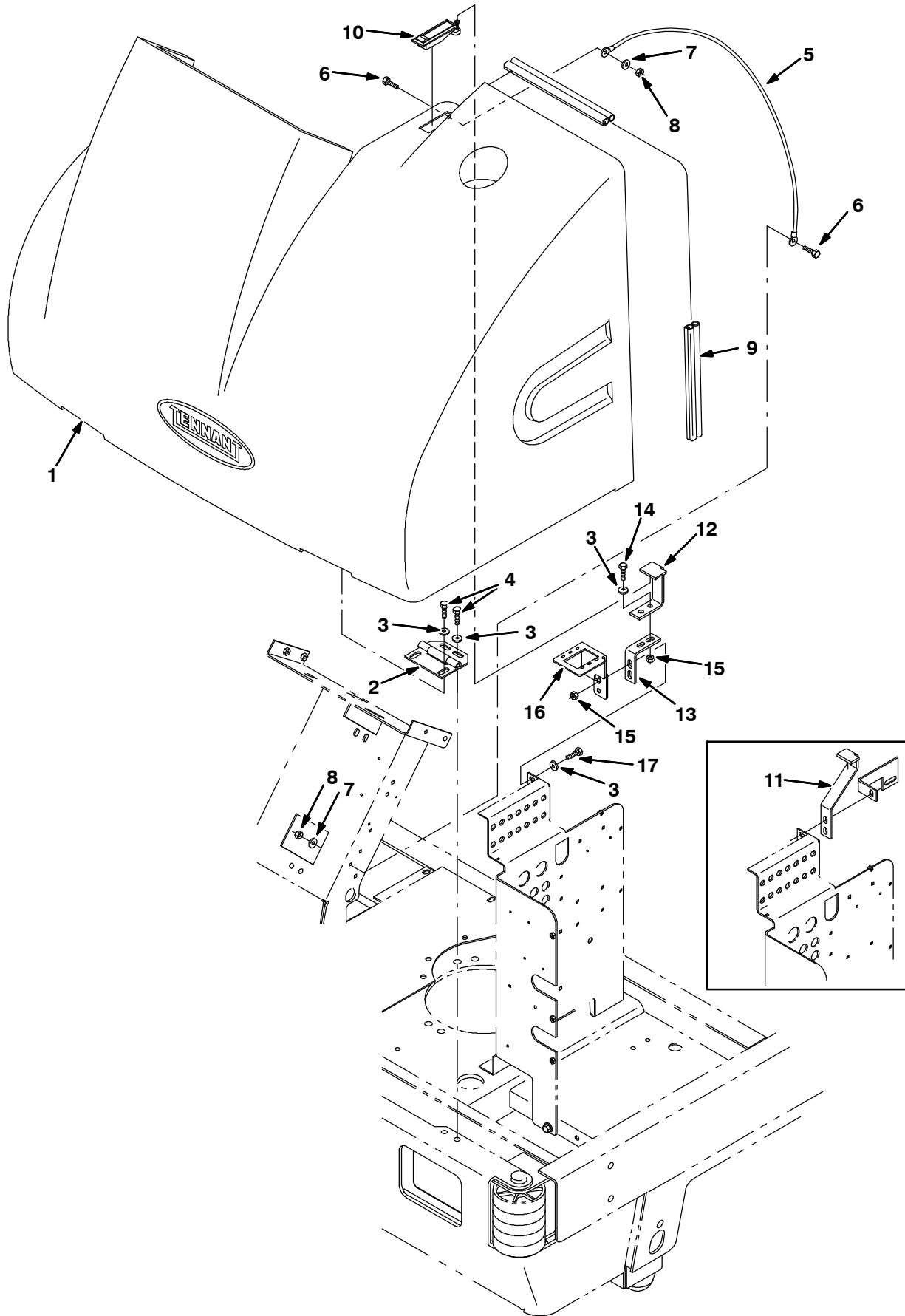




Fig. 5 - Covers Group, Front

Ref.	Tennant Part No.	Machine Serial Number	Description	Qty.
1	386120	(000000-	) Cover, Front	1
2	386124	(000000-	) Hinge, .38pin .11 3.5w 04.0l 4/0.38slot	2
3	32491	(000000-	) Washer, Flt, .31 Std	12
4	49826	(000000-	) Screw, Hex, M08 X 1.25 X 16, Ss, NI	8
5	387021	(000000-	) Cable Assy	1
6	06943	(000000-	) Screw, Hex, M06 X 1.0 X 20, 8.8	2
7	32483	(000000-	) Washer, Flt, .25 Sae	2
8	08708	(000000-	) Nut, Hex, Lock, M06 X 1.0, NI	2
9	387033	(000000-	) Seal, Bulb, [Sd-504], 48.70l	1
10	64533	(000000-	) Latch, Trigger	1
11	387460	(000000-001154	) Kit, Replmt, Bracket, F/386211	1
12	387450	(001155-	) Bracket, Latch, Cover	1
13	387451	(001155-	) Bracket, Latch, Cover	1
14	16931	(001155-	) Screw, Hex, M08 X 1.25 X 20, 8.8	2
15	08709	(001155-	) Nut, Hex, Lock, M08 X 1.25,NI	2
16	387634	(001706-	) Bracket, Mtg, Circuitbreaker, [Hi-Mag]	1
17	76570	(001706-	) Screw, Hex, M 8 X 1.25 X 30, 8.8	2

Fig. 6 - Covers Group, Rear

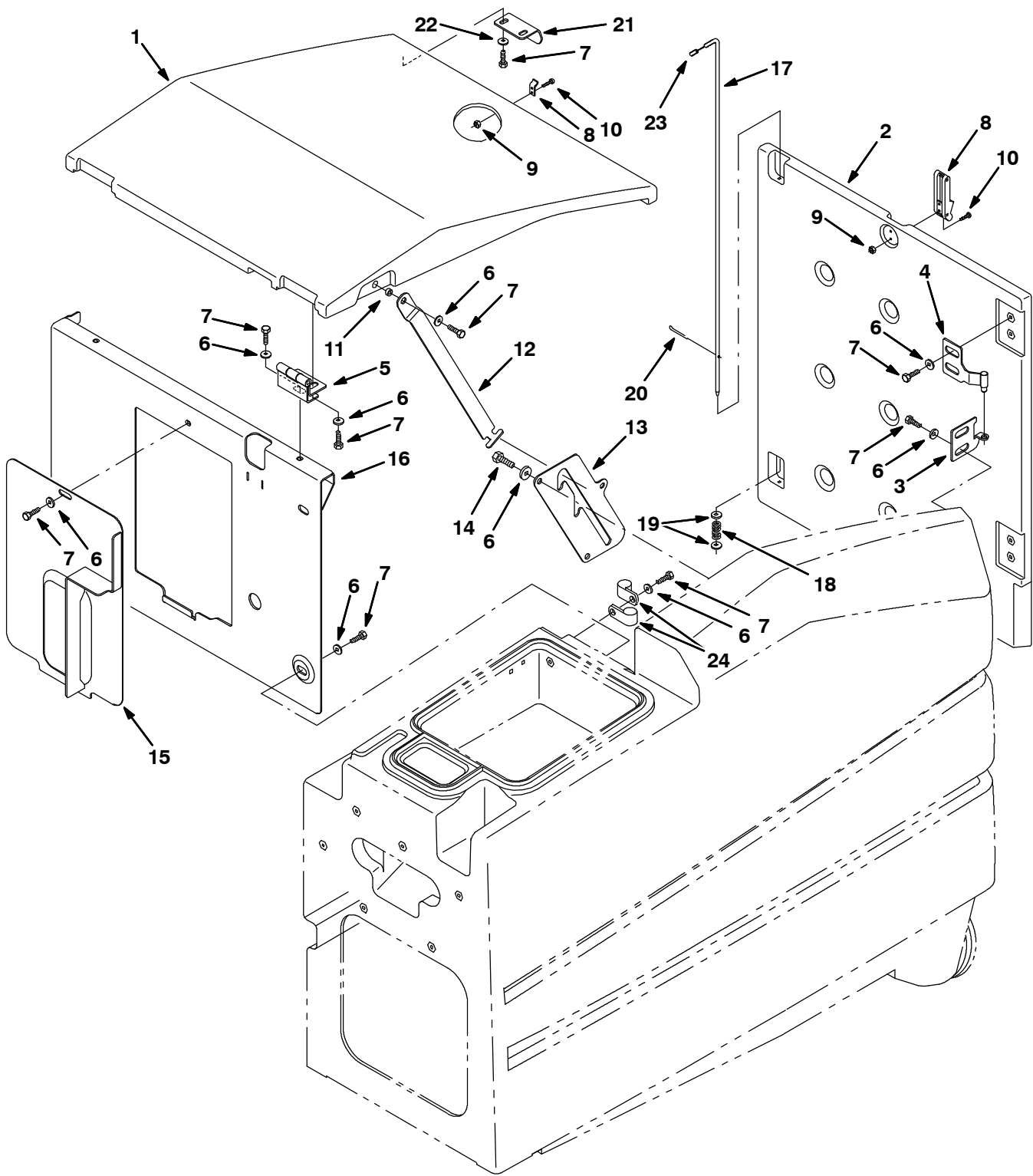


Fig. 6 - Covers Group, Rear

Ref.	Tennant Part No.	Machine Serial Number	Description	Qty.
1	386201	(000000-	) Cover, Tank, Top	1
2	386202	(000000-	) Cover, Rear	1
3	386993	(000000-	) Plate, Hinge	2
4	386995	(000000-	) Hinge Wldt, W/ Pin	2
5	386437	(000000-	) Hinge Assy	2
6	01685	(000000-	) Washer, Flt, .31 Ss	24
7	09740	(000000-	) Screw, Hex, M08 X 1.25 X 20, Ss	23
8	49800	(000000-	) Latch	1
9	02850	(000000-	) Nut, Hex, Lock, M04 X 0.7, NI	4
10	49697	(000000-	) Screw, Pan, M04 X 0.7 X 10, Ss	4
11	360801	(000000-	) Sleeve	1
12	386461	(000000-	) Rod	1
13	386413	(000000-	) Plate	1
14	09010	(000000-	) Screw, Hex, M08 X 1.25 X 25, Ss	3
15	386433	(000000-	) Cover Wldt	1
16	387348	(000000-	) Panel Wldt, Front W/ Label	1
17	386761	(000000-	) Rod, Rear Door	1
18	54743	(000000-	) Spring, Cmpr, 0.36od .04wir 2.5l	1
19	01684	(000000-	) Washer, Flt, .25 Ss	2
20	08178	(000000-	) Pin, Cotter, .062 X 0.75	1
21	386634	(000000-	) Bracket	1
22	01684	(000000-	) Washer, Flt, .25 Ss	2
23	386973	(000000-	) Cap, Vyl, .234id .750l .04	1
24	82829	(000000-	) Clamp, Cable, Stl, 0.63d X 0.75w, 1h	2

**Fig. 7 - Electrical Instrument Panel Group**

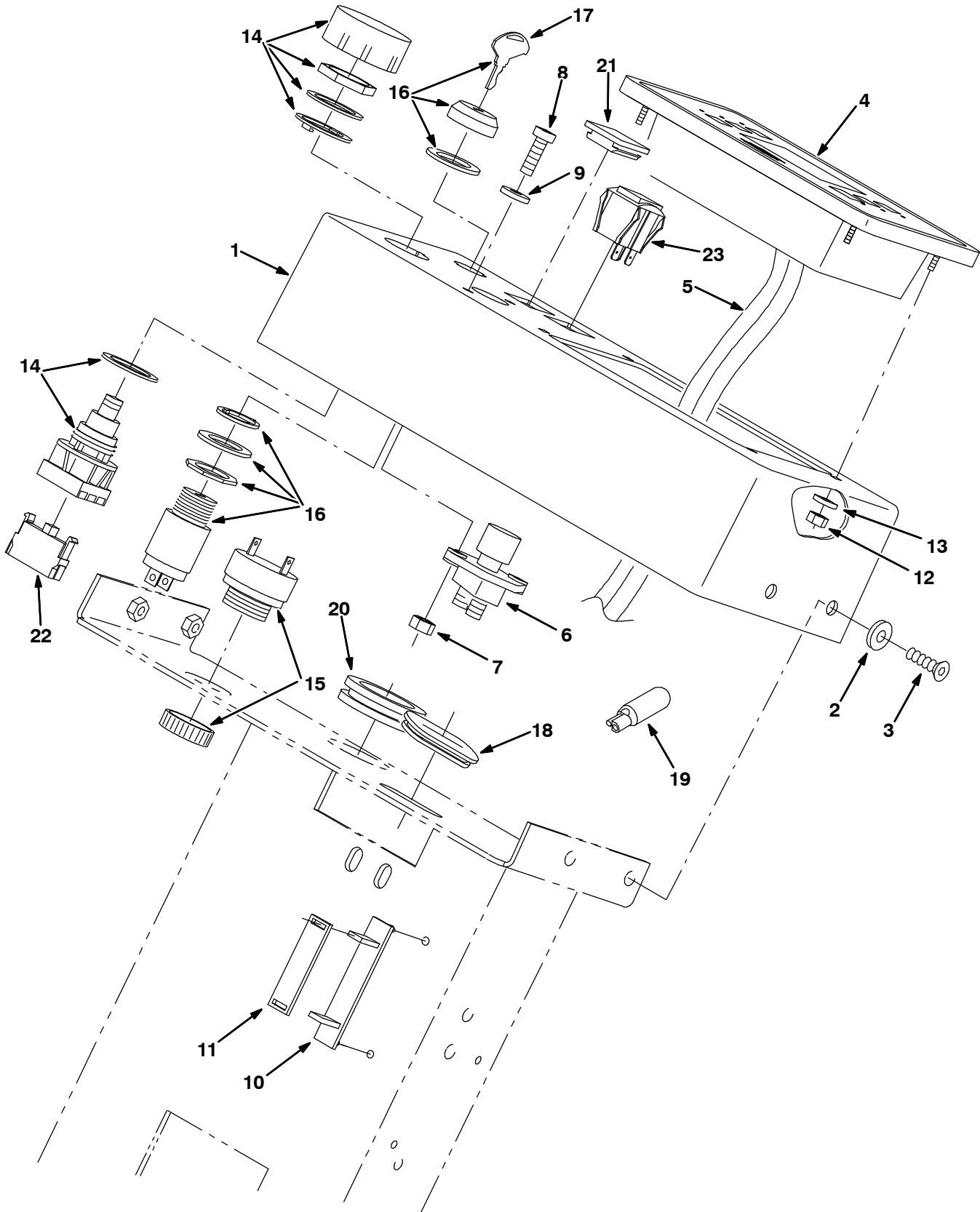


Fig. 7 - Electrical Instrument Panel Group

Ref.	Tennant Part No.	Machine Serial Number	Description	Qty.
1	386129	(000000-	) Panel, Instmt	1
2	386924	(000000-	) Washer, Finish, M06, PI	4
3	16879	(000000-	) Screw, Flat, M06 X 1.0 X 20, 10.9	4
▽ 4	391954	(000000-	) Panel Assy, Touch [7300]	1
▲ 5	386311	(000000-	) Cable, Ribbon, 34 Conductor	1
6	44078	(000000-	) Switch	1
7	08708	(000000-	) Nut, Hex, Lock, M06 X 1.0, NI	2
8	09007	(000000-	) Screw, Hex, M06 X 1.0 X 25, Ss	2
9	32483	(000000-	) Washer, Flt, .25 Sae	2
10	386808	(000000-	) Clamp, Ribbon Cable	1
11	386809	(000000-	) Clamp, Ribbon Cable, Hold-Down	1
12	06549	(000000-	) Nut, Hex, Lock, M05 X 0.8, NI	4
13	19066	(000000-	) Washer, Flt, #10	4
14	78553	(000000-	) Switch	1
15	386346	(000000-	) Alarm, Warning, 10-48vdc	1
▽ 16	361076	(000000-	) Switch, Start	1
▲ 17	361144	(000000-	) Key, Ignition	1
18	27928	(000000-	) Grommet, Ribbon Cable, .63 X 1.81	1
19	222290	(000000-	) Diode, Ele, Plug	7
20	10632-13	(000000-	) Grommet, Rbr, 1.50id, F/ 1.8h, .31matl	1
21	222534	(000000-	) Button, Plug, 1.1 X 1.1h, Black, Plstc	2
22	65665	(000000-	) Contact, Switch	1
23	360520	(000000-	) Switch, Rocker	1

**Fig. 8 - Steering Group**

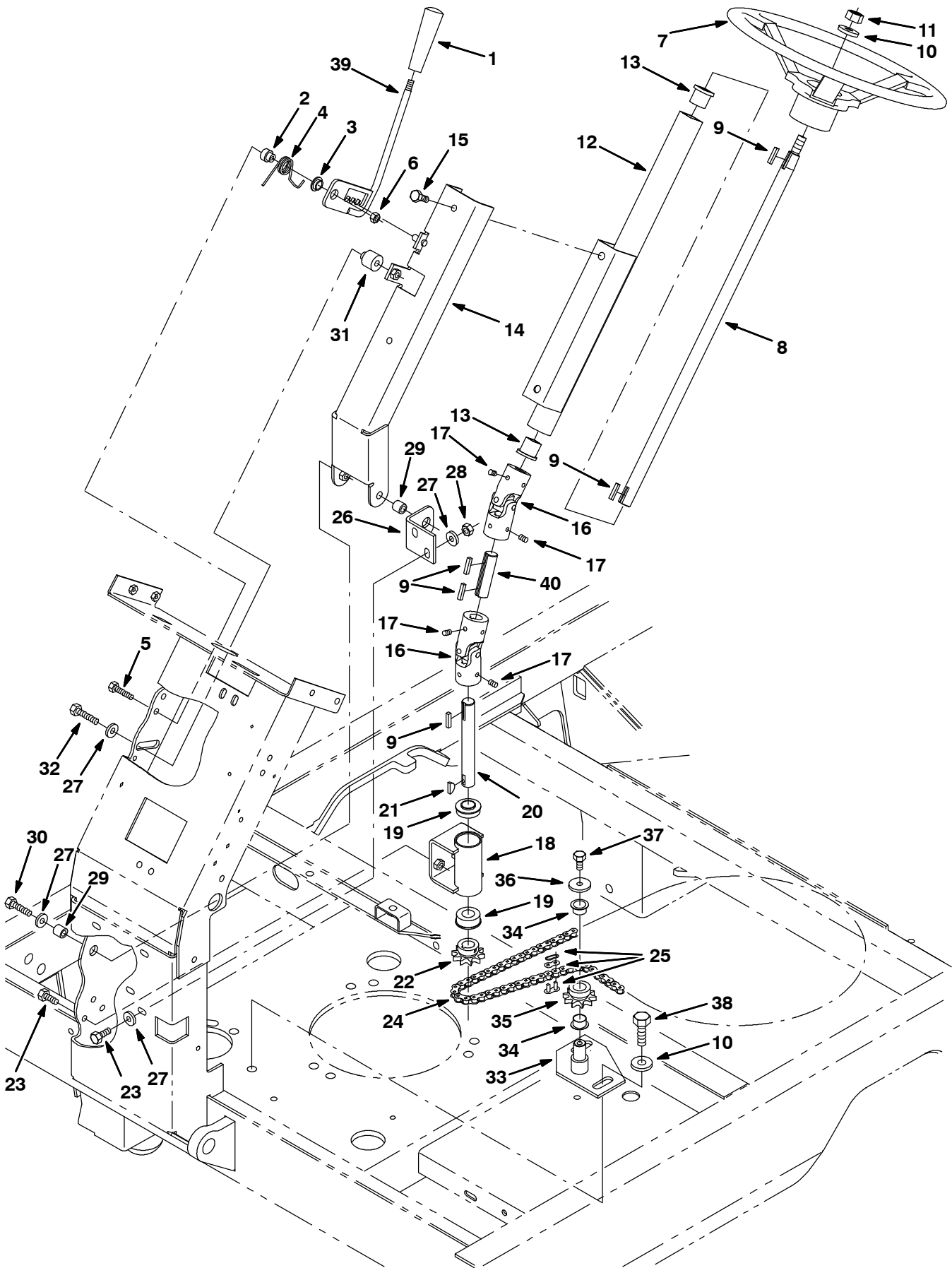


Fig. 8 - Steering Group

Ref.	Tennant Part No.	Machine Serial Number	Description	Qty.	
1	59940	(000000-	) Knob	1	
2	386149	(000000-	) Pin	1	
3	386217	(000000-	) Bearing, Flange	1	
4	386150	(000000-	) Spring, Torsion	1	
5	06946	(000000-	) Screw, Hex, M06 X 1.0 X 35, 8.8	1	
6	08708	(000000-	) Nut, Hex, Lock, M06 X 1.0, NI	1	
7	1036490	(000000-	) Wheel, Steering, 14.0d, Taper Bore	1	
8	223061	(000000-	) Shaft, Steering, Upper, Mach, .75d 24.1l	1	
9	00912	(000000-	) Key, Sq, 0.19 X 0.19, 01.00l	5	
10	32493	(000000-	) Washer, Flt, .50 Std	2	
11	08711	(000000-	) Nut, Hex, Lock, M12 X 1.75, NI	1	
12	386974	(000000-	) Column Wldt, Steering	1	
13	16367	(000000-	) Bushing, Flng, 0.75b 1.00d 1.00l, Nyl	2	
14	386147	(000000-	) Bracket Wldt, Steering, Tilt	1	
15	16735	(000000-	) Screw, Hex, M08 X 1.25 X 16, 8.8	2	
▽	16	1040295	(000000-	) Joint, U, 0.75ld	2
▲	17	39338	(000000-	) Screw, Set, .31-18 X 0.50, Soc	8
	18	386928	(000000-	) Housing Wldt, Brg	1
	19	223073	(000000-	) Bearing, Ball, 0.75b 1.38d 0.50w	2
	20	386975	(000000-	) Shaft, Steering, Lower	1
	21	00500-10	(000000-	) Key, Woodruff, 0.19 0.75, [Asa#0606]	1
	22	35996	(000000-	) Sprocket, #40, 10tooth, 0.750b	1
	23	16931	(000000-	) Screw, Hex, M08 X 1.25 X 20, 8.8	5
	24	386447	(000000-	) Chain, Roller, #40 X 130 Pitches	1
	25	07112	(000000-	) Link, Chain, Roller, #40	1
	26	386148	(000000-	) Bracket, Sppt, Tilt	1
	27	32491	(000000-	) Washer, Flt, .31 Std	6
	28	08709	(000000-	) Nut, Hex, Lock, M08 X 1.25, NI	2
	29	386154	(000000-	) Bushing, Sleeve, 0.38b 0.63d 0.57l, Stl	2
	30	76570	(000000-	) Screw, Hex, M08 X 1.25 X 30, 8.8	2
	31	386152	(000000-	) Sleeve, Support, Tilt	1
	32	74440	(000000-	) Screw, Hex, M08-1.25 X 40, Ss	1
	33	386143	(000000-	) Plate Wldt, Mtg, Idler	1
	34	16370	(000000-	) Bushing, Flng, 0.71b 0.79d 0.47l	2
	35	14271	(000000-	) Sprocket, #40, 10tooth, 0.787b	1
	36	30013	(000000-	) Washer, Flat, .31 Fender	1
	37	50388	(000000-	) Screw, Hex, M08 X 1.25 X 12, 8.8	1
	38	39285	(000000-	) Screw, Hex, M10 X 1.5 X 40, 8.8	2
	39	386140	(000000-	) Handle Wldt, Steering, Tilt	1
	40	386976	(000000-	) Shaft, Steering	1

Fig. 9 - Seat Group

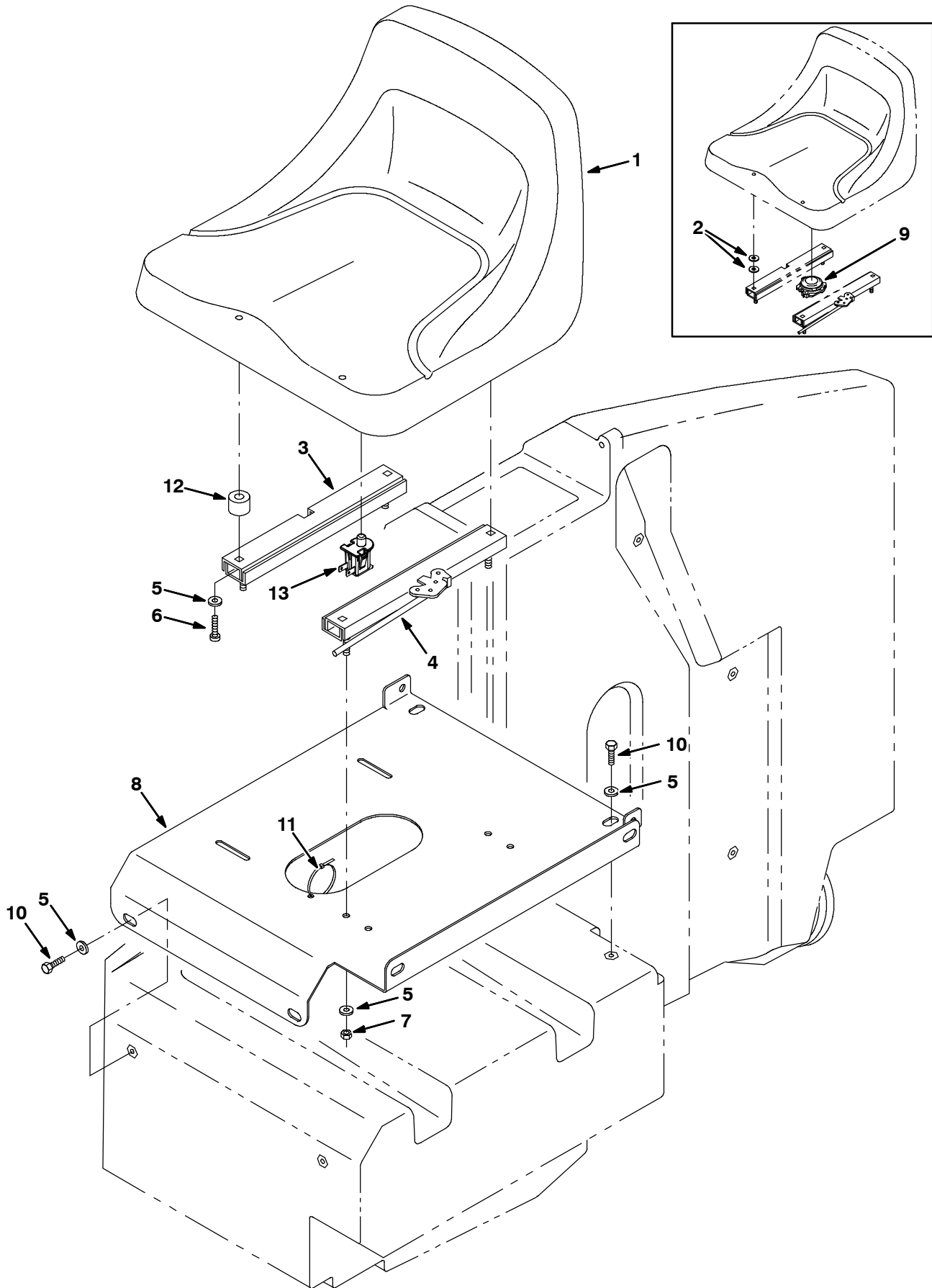




Fig. 9 - Seat Group

Ref.	Tennant Part No.	Machine Serial Number	Description	Qty.
1	375411	(000000-003621 )	Seat (Replaced by 9005082)	1
1	1048932	(003622-	Seat, Std [Michigan, Model V-2505]	1
2	13248	(000000-003621 )	Washer	8
3	360369	(000000-	Rail	1
4	360370	(000000-	Rail	1
5	01685	(000000-	Washer, Flt, .31 Ss	14
6	25537	(000000-003621 )	Screw, Pan, .31-18 X 0.75, G1	4
6	49177	(003622-	Screw, Pan, Phl, .31-18 X 1.00, G2	4
7	32983	(000000-	Nut, Hex, Lock, .31-18, NI	4
8	386228	(000000-	Plate, Seat	1
9	223078	(000000-003621 )	Switch, Seat	1
10	15675	(000000-	Screw, Hex, M08 X 1.25 X 16, Ss	6
11	49266	(000000-	Tie, Cable, Nyl, 07.3l .19w 1.8 Max D	1
12	1049092	(003622-	Spacer, Rnd, .38B .88D .63L	4
13	1048955	(003622-	Switch, Seat, No [Delta 6440-04]	1

**Fig. 10 - Directional Control Group**

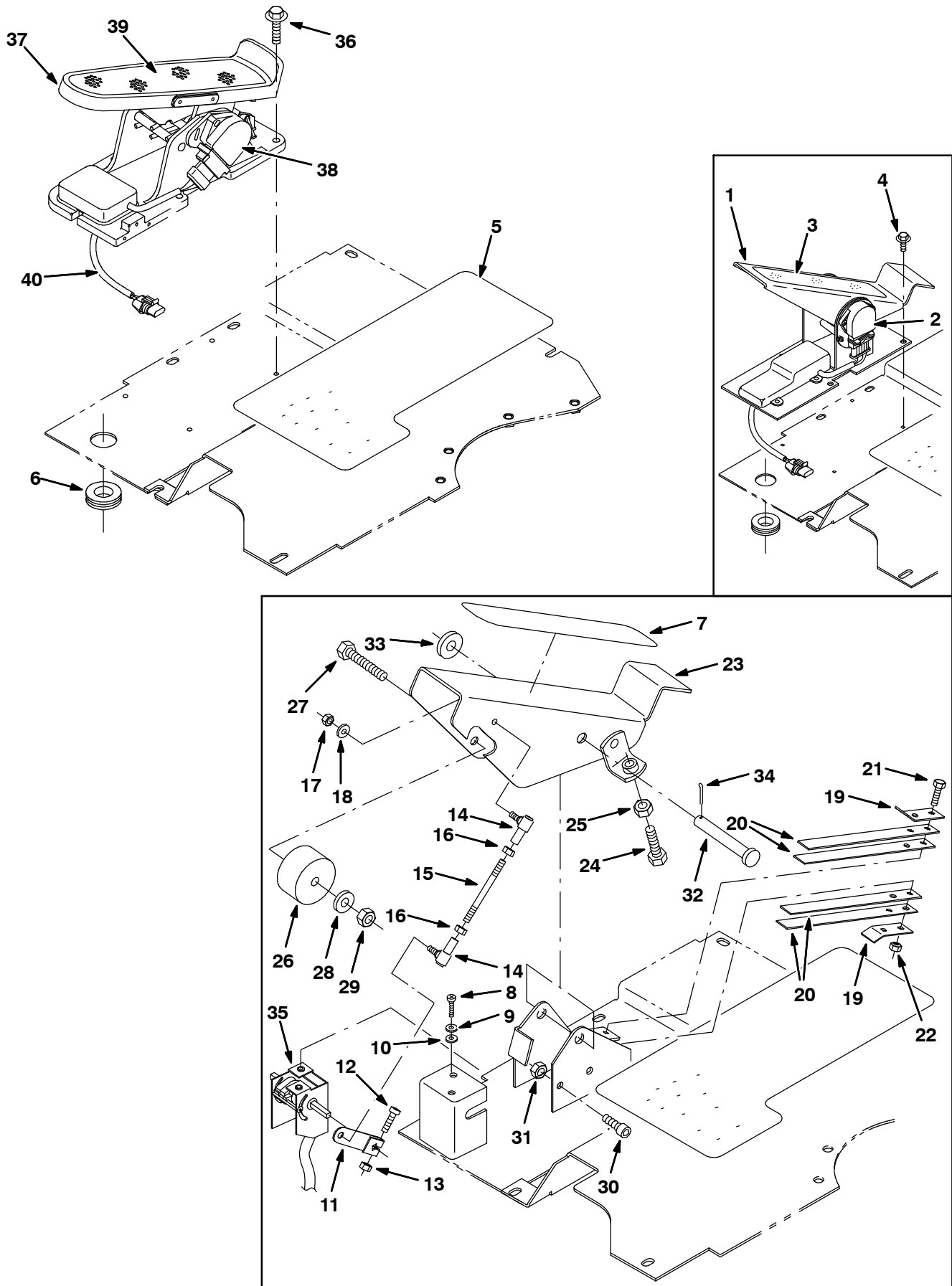


Fig. 10 - Directional Control Group

	Ref.	Tennant Part No.	Machine Serial Number	Description	Qty.
▽	1	387700	(001947-003394 )	Pedal Assy, Foot (Replaced by 1042524)	1
▲	2	385726	(001947-003394 )	Sensor, Pedal Position	1
▲	3	82839	(001947-003394 )	Tread, Non Skid, 2.2w 11.5l	1
	4	74455	(001947-003394 )	Screw, Hex, M06-1.0 X 12, Fmg	4
	5	387392	(001947- )	Tread, Non-Skid, 06.0w X 15.5l	1
	6	10632	(001947- )	Grommet, Rbr, 0.89id, F/ 1.2h, .14matl	1
	7	82839	(000000-001946 )	Tread, Non-Skid, 02.2 11.5	1
	8	06931	(000000-001946 )	Screw, Pan, M05 X 0.8 X 6, 4.8	2
	9	01683	(000000-001946 )	Washer, Flt, #10 Ss	2
	10	32980	(000000-001946 )	Washer, Lock, Int, #10	2
	11	223239	(000000-001946 )	Arm, Cntrl, Throttle, Electronic	1
	12	39717	(000000-001946 )	Screw, Pan, .25-20 X 1.00, 2	1
	13	32981	(000000-001946 )	Nut, Hex, Lock, .25-20, NI	1
	14	14601	(000000-001946 )	Balljoint, .25-28 Fem/.25-28mal	2
	15	223090	(000000-001946 )	Rod, Thr, 2 End, .25-28 04.4l	1
	16	01714	(000000-001946 )	Nut, Hex, Std, .25-28	2
	17	13513	(000000-001946 )	Nut, Hex, Lock, .25-28, NI	2
	18	32490	(000000-001946 )	Washer, Flt, .25 Std	2
	19	223601	(000000-001946 )	Retainer, Spring	2
	20	223600	(000000-001946 )	Strip, Stl, 0.05th X 00.75w, 07.80l	4
	21	06944	(000000-001946 )	Screw, Hex, M06 X 1.0 X 25, 8.8	2
	22	08708	(000000-001946 )	Nut, Hex, Lock, M06 X 1.0, NI	2
	23	223320	(000000-001946 )	Pedal Wldt, Accelerator	1
	24	39284	(000000-001946 )	Screw, Hex, M10 X 1.5 X 35, 8.8	1
	25	39312	(000000-001946 )	Nut, Hex, Std, M10 X 1.5	1
	26	87725	(000000-001946 )	Spacer	1
	27	06963	(000000-001946 )	Screw, Hex, M10 X 1.5 X 60, 8.8	1
	28	32485	(000000-001946 )	Washer, Flt, .38 Sae	1
	29	41430	(000000-001946 )	Nut, Hex, Lock, M10 X 1.5, NI	1
	30	39308	(000000-001946 )	Screw, Soc, M08 X 1.25 X 25, 12.9	1
	31	08709	(000000-001946 )	Nut, Hex, Lock, M08 X 1.25, NI	1
	32	06474A	(000000-001946 )	Pin, Clevis, 0.50 D X 3.50l	1
	33	32486	(000000-001946 )	Washer, Flt, .50 Sae	1
	34	08182	(000000-001946 )	Pin, Cotter, .125 X 1.00	1
	35	223094	(000000-001946 )	Box, Accelerator	1
	36	222159	(003395- )	Screw, Hex, M6 X 1.00 X 25, Fmg	4
▽	37	1034891	(003395- )	Pedal Assy, Propel, 36vdc	1
▲	38	385726	(003395- )	Sensor, Position, Pedal	1
▲	39	1042514	(003395- )	Tread, Non-Skid	1
▲	40	1042513	(003395- )	Circuitboard, Pedal	1

Fig. 11 - Wheel Group, Front Drive

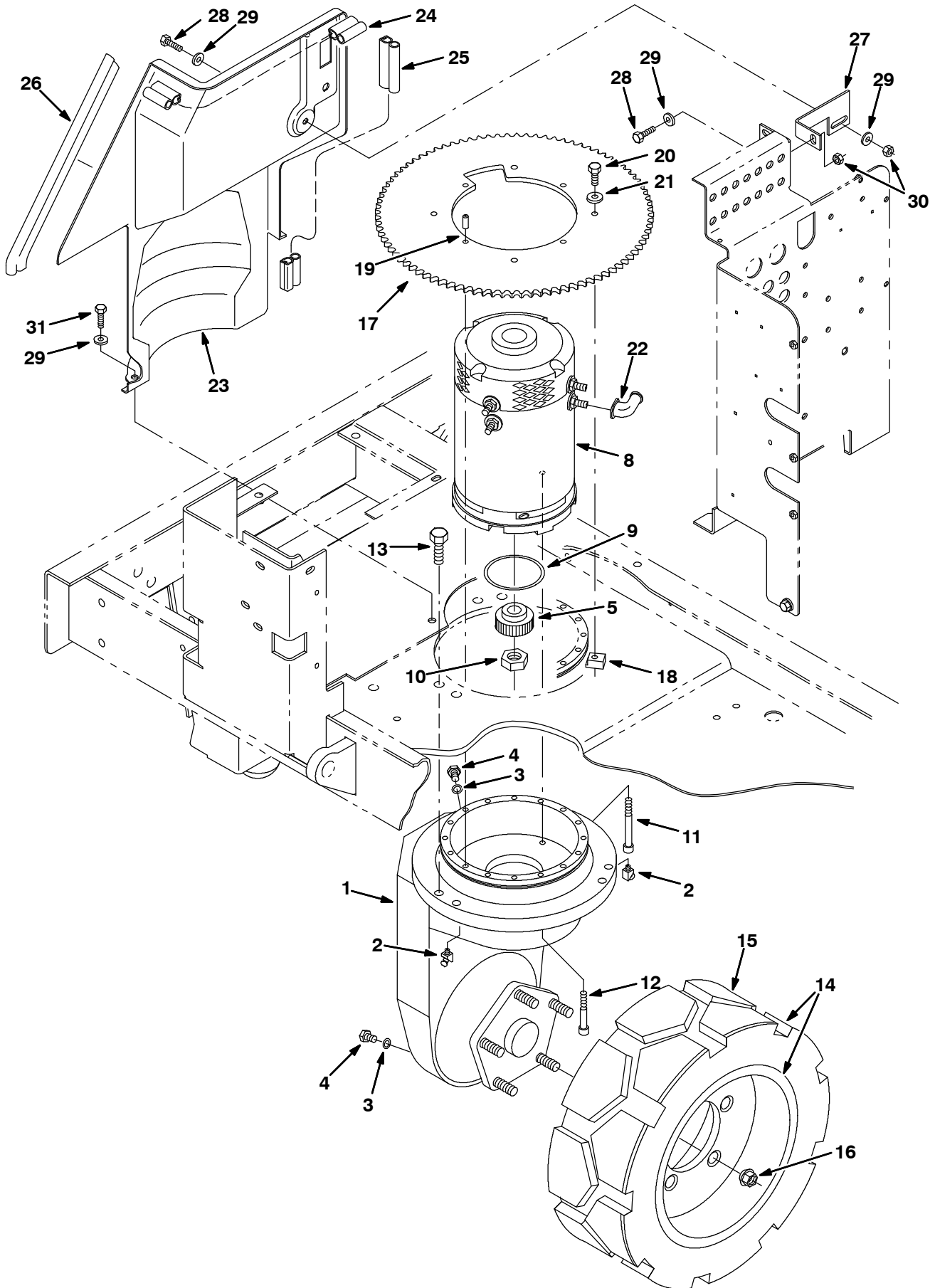


Fig. 11 - Group, Front Drive

	Ref.	Tennant Part No.	Machine Serial Number	Description	Qty.
▽	1	87355	(000000-	) Gearbox, 90, Drive Wheel, Rear, [Hu]	1
▲	2	87839	(000000-	) Fitting, Grease	2
▲	3	87840	(000000-	) Seal, O-Ring	2
▲	4	87841	(000000-	) Plug	2
▲	5	87849	(000000-	) Gear, Drive	1
▲	6	12540	(000000-	) Bolt	5
▲	7	61791	(000000-	) Bearing	1
	8	60198	(000000-	) Motor, Ele, Vdc 3.0hp Traction,[201] (See Breakdown)	1
	9	360980	(000000-	) Seal, O-Ring, .139 X 2.98id	1
	10	43957	(000000-	) Nut, Hex, Std, .50-20	1
	11	09030	(000000-	) Screw, Soc, M08 X 1.25 X 80, 12.9	2
	12	09294	(000000-	) Screw, Soc, M08 X 1.25 X 60, 12.9	1
	13	41345	(000000-	) Screw, Hex, M12 X 1.75 X 25, 8.8	6
▽	14	387660	(000000-	) Tire Assy, Solid, 16.2X6.0 5.7Bc/5 Bolt	1
▲	15	387659	(000000-	) Tire, Solid, 16.2X6.0X11.2	1
	16	87750	(000000-	) Nut, Wheel, M14-1.5	5
	17	363385	(000000-	) Sprocket Wldt, #40, 96tooth, 7.00 B	1
	18	14150	(000000-	) Clip, Sprocket	4
	19	14296	(000000-	) Pin, Roll, .310 D X 0.75l, .312/.318	4
	20	16931	(000000-	) Screw, Hex, M08 X 1.25 X 20, 8.8	4
	21	41187	(000000-	) Washer, Belleville, .38	4
	22	02076	(000000-	) Boot, 90deg .50d .57d X .84	4
▽	23	387346	(000000-	) Panel, Motor, Cover W/ Label	1
▲	24	386458	(000000-	) Seal, Bulb, [Sd-504], 15.52l	1
▲	25	386459	(000000-	) Seal, Bulb, [Sd-504], 27.90l	1
▲	26	386558	(000000-	) Seal, Bulb, [Sd-168], 12.50l	1
	27	387035	(000000-	) Bracket, Panel	1
	28	16931	(000000-	) Screw, Hex, M08 X 1.25 X 20, 8.8	2
	29	32491	(000000-	) Washer, Flt, .31 Std	8
	30	08709	(000000-	) Nut, Hex, Lock, M08 X 1.25,NI	2
	31	16735	(000000-	) Screw, Hex, M08 X 1.25 X 16, 8.8	4

Fig. 12 - Brake Pedal Group

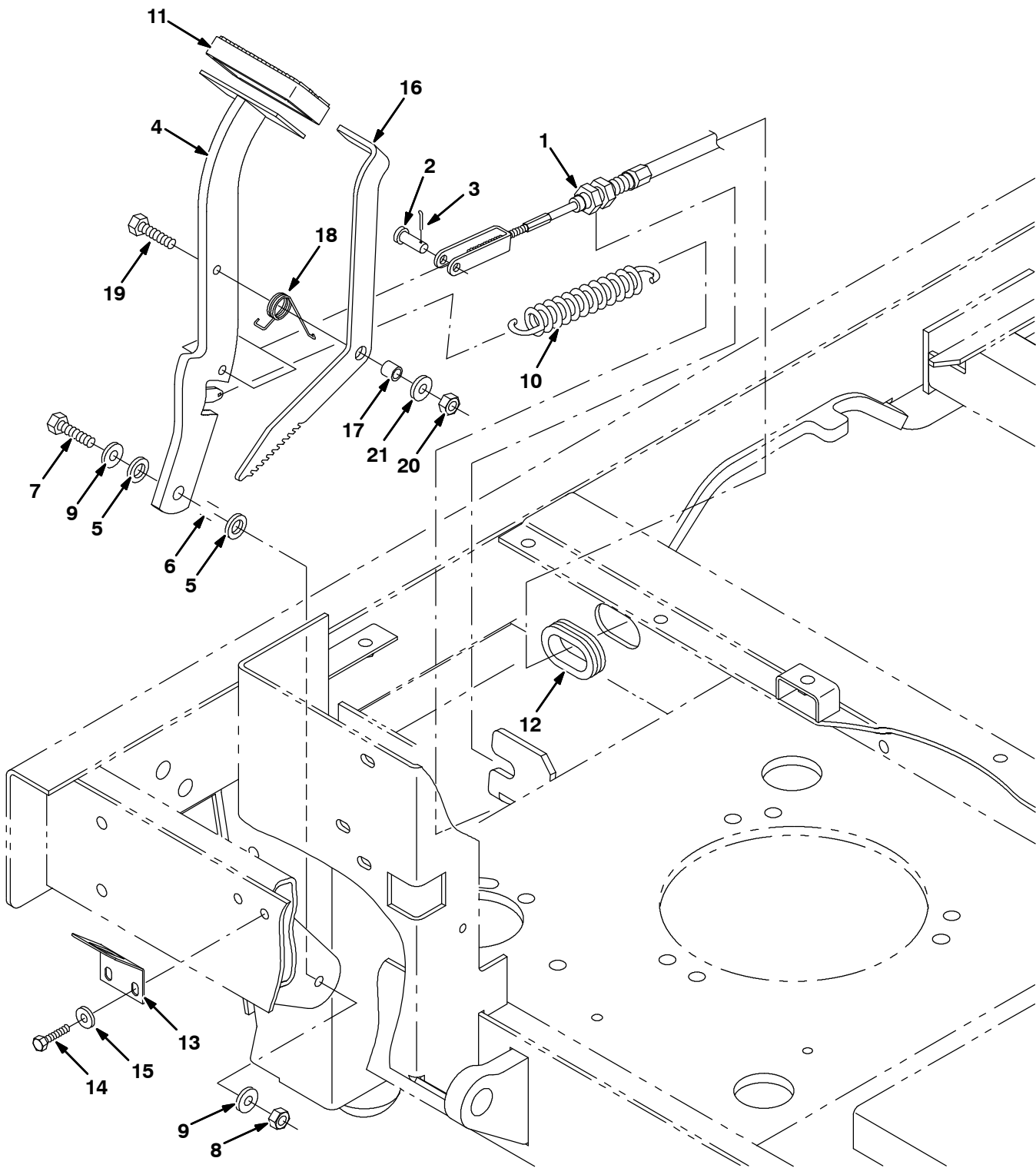


Fig. 12 - Brake Pedal Group

Ref.	Tennant Part No.	Machine Serial Number	Description	Qty.
1	386229	(000000-	) Cable, Pull	1
2	69582	(000000-	) Pin, Clevis, 0.31 D X 1.00l	1
3	39005	(000000-	) Pin, Cotter, .094 X 0.75	1
4	386375	(000000-	) Lever Wldt	1
5	86860	(000000-	) Bearing, Thrust	2
6	222460	(000000-	) Sleeve	1
7	09026	(000000-	) Screw, Hex, M08 X 1.25 X 40, Ss	1
8	08713	(000000-	) Nut, Hex, Lock, M08 X 1.25,NI, Ss	1
9	01685	(000000-	) Washer, Flt, .31 Ss	2
10	379217	(000000-	) Spring, Extn, 1.00od X 0.11wir, 5.5l	1
11	51109	(000000-	) Pad	1
12	10632-13	(000000-	) Grommet, Rbr, 1.50id, F/ 1.8h, .31matl	1
13	386915	(000000-	) Plate, Stop	1
14	06943	(000000-	) Screw, Hex, M06 X 1.0 X 20, 8.8	2
15	32490	(000000-	) Washer, Flt, .25 Std	2
16	387656	(000000-	) Pedal, Brake, Parking	1
17	46563	(000000-	) Bushing, Sleeve, 0.37b 0.50d 0.50l	1
18	59009	(000000-	) Spring, Tors, 0.75id .06wir 02.8coil	1
19	06955	(000000-	) Screw, Hex, M08 X 1.25 X 35, 8.8	1
20	08709	(000000-	) Nut, Hex, Lock, M08 X 1.25,NI	1
21	39349	(000000-	) Washer, Flt, .31 Sae	1

Fig. 13 - Wheel And Brake Group, Rear

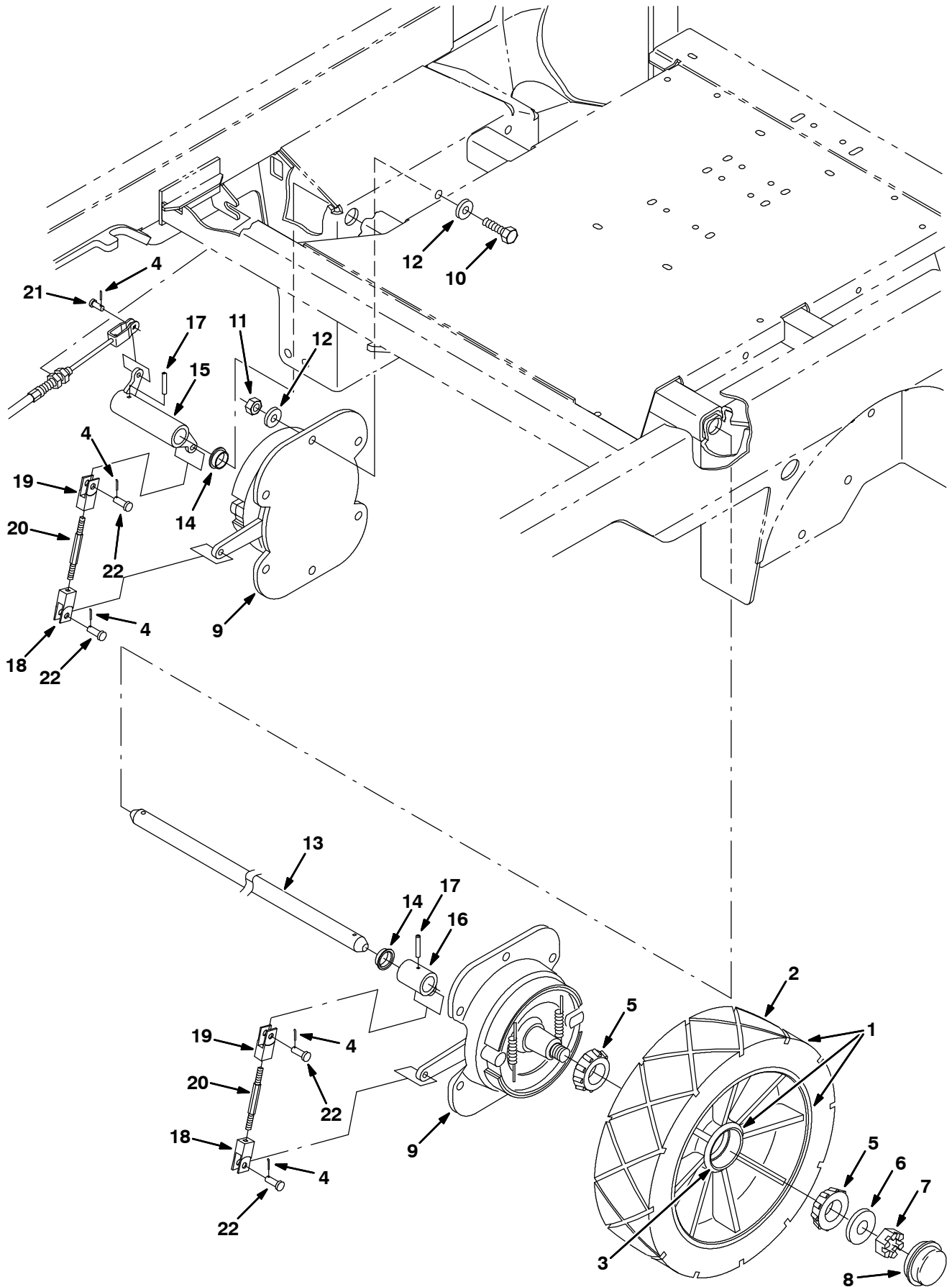




Fig. 13 - Wheel And Brake Group, Rear

	Ref.	Tennant Part No.	Machine Serial Number	Description	Qty.
▽	1	387014	(000000-	) Tire Assy, 16 X 5 X 12.12	2
▲	2	387010	(000000-	) Tire, Solid, 16 X 5 X 12.12	1
▲	3	51338	(000000-	) Bearing, Cup, 2.56d 0.55w	2
	4	39005	(000000-	) Pin, Cotter, .094 X 0.75	5
	5	51339	(000000-	) Bearing, Cone, 1.38b 0.71w	4
	6	32969	(000000-	) Washer, Flat, 1.00 Sae Hard	2
	7	14242	(000000-	) Nut, Hex, Sltd, 1.00-20	2
	8	54390	(000000-	) Cap, Hub 2.567 Hole	2
▽	9	54577	(000000-	) Brake Assy	2
▲		66211	(000000-	) Brake Shoes	2
▲		66213	(000000-	) Brake Repair Kit	1
▲		70161	(000000-	) Chrome Pltd Cam Shaft	1
▲		70158	(000000-	) Return Spring-Brakes	2
	10	06969	(000000-	) Screw, Hex, M12 X 1.75 X 40, 8.8	12
	11	08711	(000000-	) Nut, Hex, Lock, M12 X 1.75,NI	12
	12	32486	(000000-	) Washer, Flt, .50 Sae	24
	13	386367	(000000-	) Shaft	1
	14	83733	(000000-	) Bushing, Flng, 1.00b 1.13d 0.38l	2
	15	386370	(000000-	) Sleeve Wldt, Rh	1
	16	386379	(000000-	) Sleeve Wldt, Lh	1
	17	26315	(000000-	) Pin, Roll, .250 D X 1.50l, .250/.256	2
	18	1023676	(000000-	) Clevis, Adj, 0.38pin, 0.31-24, PI	2
	19	1023677	(000000-	) Clevis, Adj, 0.38pin, 0.31-24, Lh, PI	2
	20	386378	(000000-	) Rod, Threaded	2
	21	10120	(000000-	) Pin, Clevis, 0.31 D X 0.75l	1
	22	09088	(000000-	) Pin, Clevis, 0.37 D X 1.00l	4



Fig. 14 - Solution Tank Group

Ref.	Tennant Part No.	Machine Serial Number	Description	Qty.
1	386109	(000000-	) Bracket, Mtg, Tank	1
2	01685	(000000-	) Washer, Flt, .31 Ss	9
3	12273	(000000-	) Screw, Hex, M08 X 1.25 X 20, Ss, NI	7
4	386224	(000000-	) Fitting, Plstc, Bkhd, Pf16/Pf16	1
5	223499	(000000-	) Fitting, Plstc, Str, Pm16/Pm16 Close	1
6	365093	(000000-	) Fitting, Plstc, E90, 16bm/16pm	1
7	386420	(000000-	) Hose, Water, 1.0id 4.5l	1
8	11399	(000000-	) Clamp, Hose, Wormdrive, 0.81-1.50d	4
9	365096	(000000-	) Fitting, Plstc, Tee, Bm16/Pf12/Bm16	1
10	69785	(000000-	) Fitting, Plstc, E90, Pm12/Pf12	1
11	24544	(000000-	) Fitting, Plstc, Str, Pm12/Pm12	2
12	42133A	(000000-	) Fitting, Plstc, Tee, Pf12/Pf12/Pf12	2
13	386421	(000000-	) Hose, Water, 1.0id 2.25l	1
14	57379	(000000-	) Fitting, Plstc, Str, Pm12/Bm16	1
15	75611	(000000-	) Fitting, Plstc, Plug, Pm12	2
16	386419	(000000-	) Pin, Hinge, Cover	1
17	386643	(000000-	) Spring, Cover	1
18	49740	(000000-	) Cap, Plastic	2
19	386320	(000000-	) Gasket, Cover, Tank, Solution	1
20	387683	(000000-	) Tank Kit, Soltn, W/ Label, Replmt [7300]	1
21	386162	(000000-	) Cover, Tank, Solution	1
22	386324	(000000-	) Handle	1
23	386222	(000000-	) Bar	1
24	78842	(000000-	) Kit, Valve, Check	1
25	78740	(000000-	) Plug, Cap	1
26	386160	(000000-	) Channel	1
27	01686	(000000-	) Washer, Flt, .38 Ss	2
28	77347	(000000-	) Screw, Hex, M10 X 1.5 X 35, Ss	2
29	387061	(000000-	) Bracket, Full	1
30	63416	(000000-	) Washer, 0.31b 0.88d .12, Rbr	1
31	09011	(000000-	) Screw, Hex, M08 X 1.25 X 30, Ss	1
32	23456	(000000-	) Cap, Tank, Drain, 6.17 Thread Pye	1
33	1031699	(000000-	) Gasket, .19, 4.05id 5.29od [Buna]	1
34	86636	(000000-	) Cover, Tank	1
35	20810	(000000-	) Filter, Soltn, 20mesh, Pf16 3.1d 02.3l	1
36	79273-2	(000000-	) Fitting, Plstc, Str, Bm12/Pm12	1
37	08713	(000000-	) Nut, Hex, Lock, M08 X 1.25,NI, Ss	1
38	223528	(000000-001986	) Grommet, Level Sensing 1.6 D 9.6L	1
39	49745	(000000-001986	) Fitting, Plstc, Plug, PM16	1
40	391451	(001987-	) Label, Attention Fast Users	1
41	375431	(001987-	) Kit, Replmt, Press Switch/34" Tube	1

**Fig. 15 - FaST Solution Pump Group (000000-003746)**

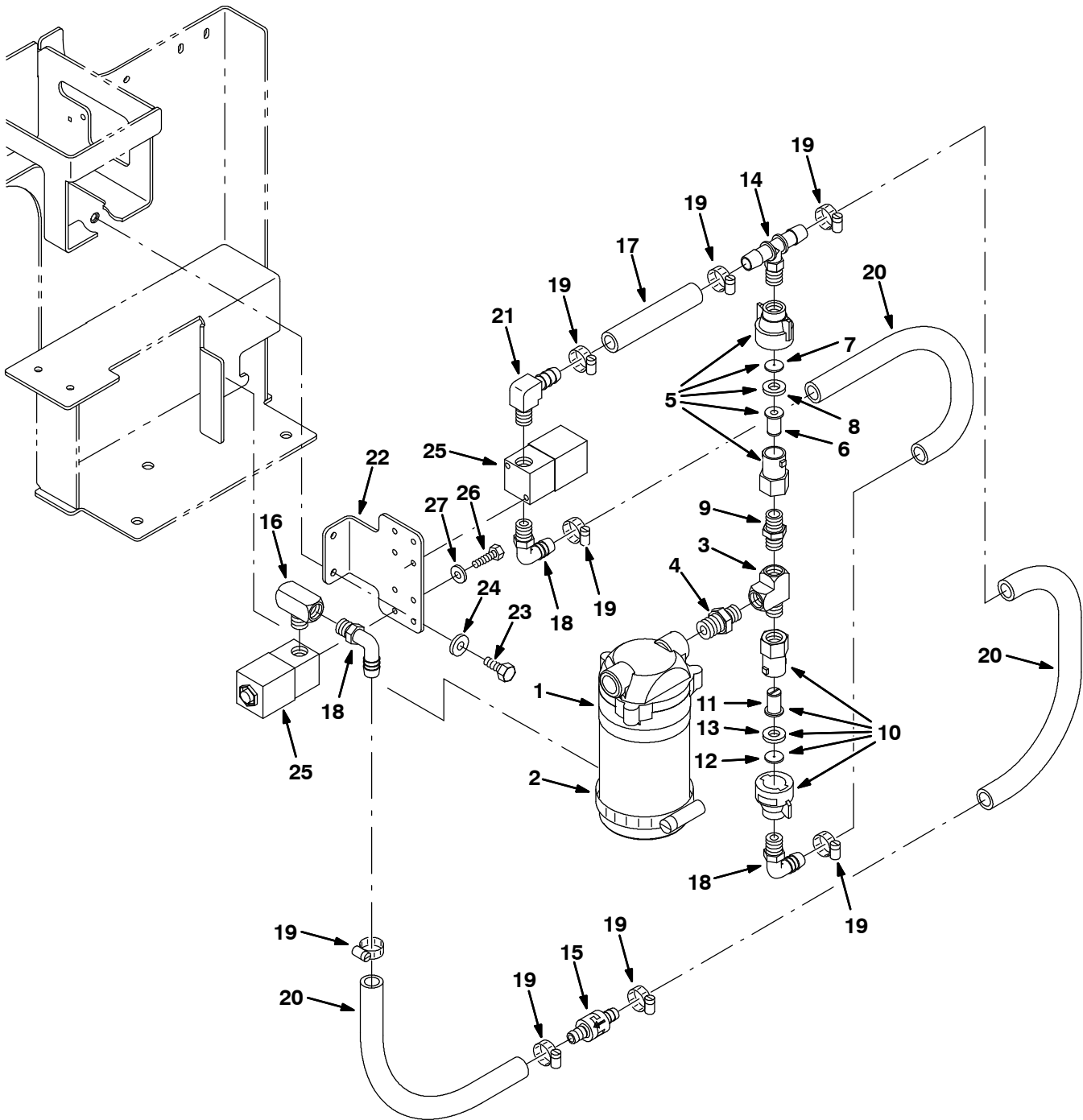


Fig. 15 - FaST Solution Pump Group (000000-003746)

Ref.	Tennant Part No.	Machine Serial Number	Description	Qty.
1	1005866	(000000-003746 )	Pump, Soltn, Ele, 36vdc	1
2	43555	(000000-003746 )	Clamp, Hose, Wormdrive, 1.62-3.50d	1
3	24929	(000000-003746 )	Fitting, Brs, Tee, Pf04/Pf04/Pm04	1
4	1010835	(000000-003746 )	Fitting, Brs, Str, Pm04/Pm06	1
▽	5	1010655	(000000-003746 ) Fitting Assy, Cap, 0.067b, Pf04	1
▲	6	1006447	(000000-003746 ) Screen, 50 Mesh, Ss	1
▲	7	1010658	(000000-003746 ) Plate, Orifice, 0.067id	1
▲	8	1005508	(000000-003746 ) Washer, Flat, 0.34b 0.75d 0.12, Viton	1
	9	398468	(000000-003746 ) Fitting, Brs, Str, Pm04/Pm04	1
▽	10	1010660	(000000-003746 ) Fitting Assy, Cap, 0.086b, Pf04	1
▲	11	1006447	(000000-003746 ) Screen, 50 Mesh, Ss	1
▲	12	1010661	(000000-003746 ) Plate, Orifice, 0.086id	1
▲	13	1005508	(000000-003746 ) Washer, Flat, 0.34b 0.75d 0.12, Viton	1
	14	1010791	(000000-003746 ) Fitting, Plstc, Tee, Bm08/Pm04/Bm08 Nyl	1
	15	1010614	(000000-003746 ) Valve, Check, 2 Gpm 3" 06bm/08bm	1
	16	53268	(000000-003746 ) Fitting, Brs, Tee, Pf04/Pm04/Pf04	1
	17	1011403	(000000-003746 ) Hose, Afmkt Replmt, Pvc, Brd 0.50id 1 Ft	1
	18	1010713	(000000-003746 ) Fitting, Plstc, E90, Bm08/Pm04 Nyl	3
	19	54333	(000000-003746 ) Clamp, Hose, Wormdrive, 0.31-0.88d	8
	20	1011521	(000000-003746 ) Hose, Afmkt Replmt, Pvc, Brd 0.50id 2 Ft	3
	21	1010836	(000000-003746 ) Fitting, Brs, E90, Pm04/Bm08	1
	22	1013857	(000000-003746 ) Bracket, Mtg, Valve, Solenoid	1
	23	06942	(000000-003746 ) Screw, Hex, M6 X 1.0 X 16, 8.8	2
	24	32490	(000000-003746 ) Washer, Flat, 0.25 Std	2
	25	1028581	(000000-003746 ) Valve, Water, 36vdc, 6.0mm, 04pf	2
	26	09252	(000000-003746 ) Screw, Hex, M5 X 0.8 X 20, 8.8	4
	27	19066	(000000-003746 ) Washer, Flat, #10	4

# STANDARD PARTS

Fig. 16 - FaST Air Pump and Detergent Group (000000-003746)

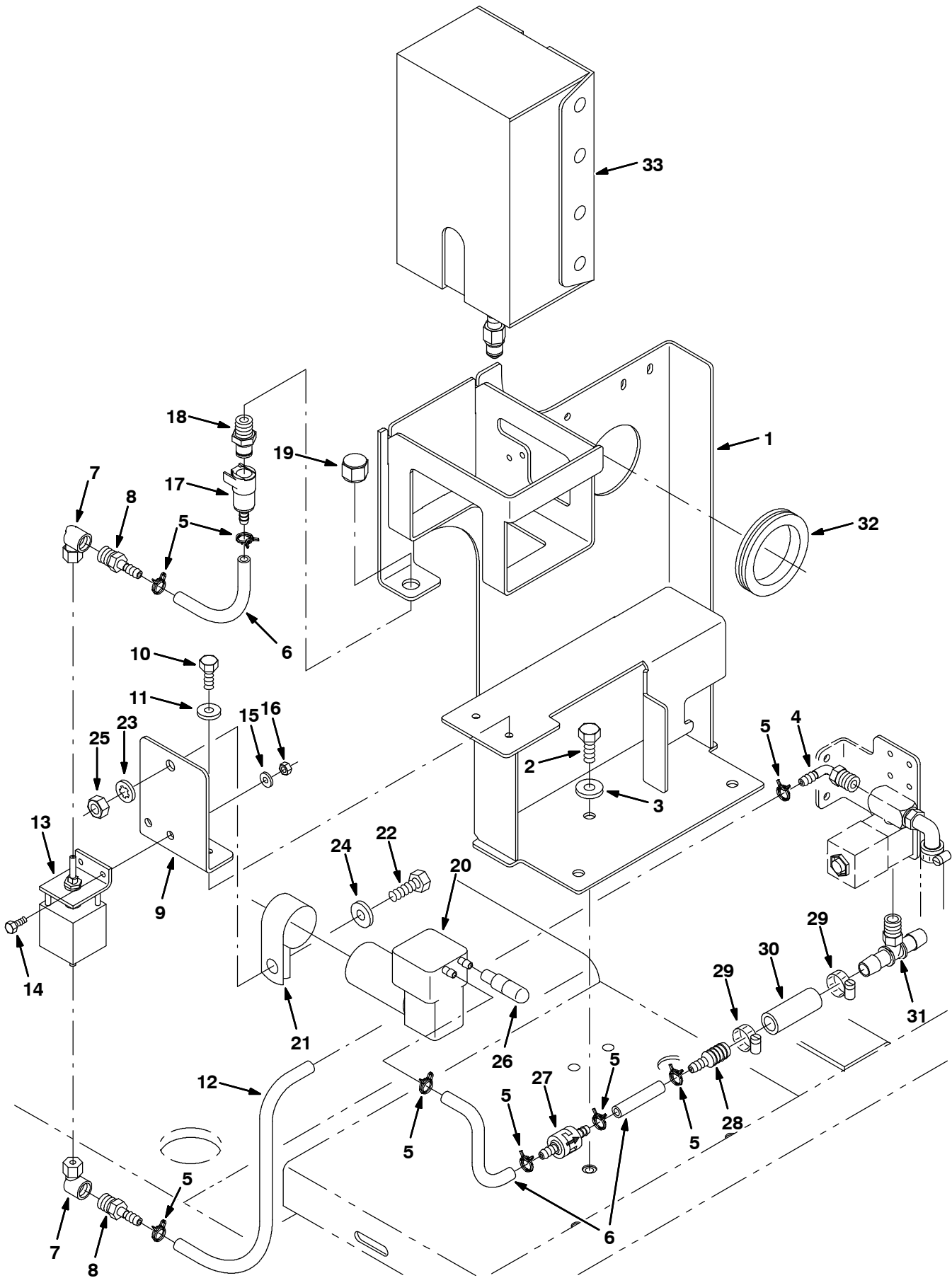


Fig. 16 - FaST Air Pump and Detergent Group (000000-003746)

Ref.	Tennant Part No.	Machine Serial Number	Description	Qty.
1	1010797	(000000-002447 )	Bracket Wldt [7300/8300-FaST]	1
1	1024009	(002448-003746 )	Bracket Wldt [7300/8300 FaST]	1
2	16931	(000000-003746 )	Screw, Hex, M8 X 1.25 X 20, 8.8	3
3	32491	(000000-003746 )	Washer, Flat, 0.31 Std	3
4	1011170	(000000-003746 )	Fitting, Plstc, E90, Bm04/Pm04 Nyl	1
5	613735	(000000-003746 )	Clamp, Hose .40 - .42 2 Wire	8
6	1014987	(000000-003746 )	Hose, Afmkt, Pvc, Clr 0.25id 1 Ft	2
7	1014082	(000000-003746 )	Fitting, Brs, E90, Cf03/Pf02	2
8	150525	(000000-003746 )	Fitting 1/8mx1/4h Barb Brs	2
9	1013866	(000000-003746 )	Bracket, Mtg, Pump, Detgt [7300/8300]	1
10	06942	(000000-003746 )	Screw, Hex, M6 X 1.0 X 16, 8.8	2
11	32490	(000000-003746 )	Washer, Flat, 0.25 Std	2
12	1014986	(000000-003746 )	Hose, Afmkt, Pvc, Clr 0.25id 2 Ft	1
13	1014056	(000000-003746 )	Pump, Detgt, 560s	1
14	09206	(000000-003746 )	Screw, Hex, M4 X 0.7 X 12, 8.8	2
15	19064	(000000-003746 )	Washer, Flat, #06	2
16	02850	(000000-003746 )	Nut, Hex, Lock, M 4 X 0.7, NI	2
17	1002898	(000000-003746 )	Coupling, Fem, W/ Valve, .25 Brb	1
18	1002899	(000000-003746 )	Coupling, Mal, .25 Npt	1
19	1005435	(000000-003746 )	Fitting, Plstc, Cap, Pf04	1
20	1008211	(000000-003746 )	Pump, Air, Ele, 36vdc	1
21	53466	(000000-003746 )	Clamp, Cable, Stl, 1.50d X 1.00w, 1h	1
22	09010	(000000-003746 )	Screw, Hex, M8 X 1.25 X 25, Ss	1
23	32984	(000000-003746 )	Washer, Lock, Int, .31	1
24	32491	(000000-003746 )	Washer, Flat, 0.31 Std	1
25	08709	(000000-003746 )	Nut, Hex, Lock, M8 X 1.25, NI	1
26	1005255	(000000-003746 )	Filter Assy, Air, Molded Ure	1
27	1010871	(000000-003746 )	Valve, Check, 2 Gpm 0.5psi Bm04/Bm04	1
28	25620	(000000-003746 )	Fitting, Plstc, Str, Bm04/Bm08	1
29	54333	(000000-003746 )	Clamp, Hose, Wormdrive, 0.31-0.88d	2
30	1011403	(000000-003746 )	Hose, Afmkt Replmt, Pvc, Brd 0.50id 1 Ft	1
31	1010791	(000000-003746 )	Fitting, Plstc, Tee, Bm08/Pm04/Bm08 Nyl	1
32	10632-19	(000000-003746 )	Grommet, Rbr, 2.13id, F/ 2.5h, .12 Matl	1
33	1017015	(000000-003746 )	Detergent Pkg, 2 Liter, Sgl, 365	1
33	1017022	(000000-003746 )	Detergent Pkg, 2 Liter, Sgl, 665	1
33	1021878	(000000-003746 )	Detergent Pkg, 4 Liter, Sgl [Tco 665]	1

Fig. 17 - FaST Foam Filter Group (000000-003746)

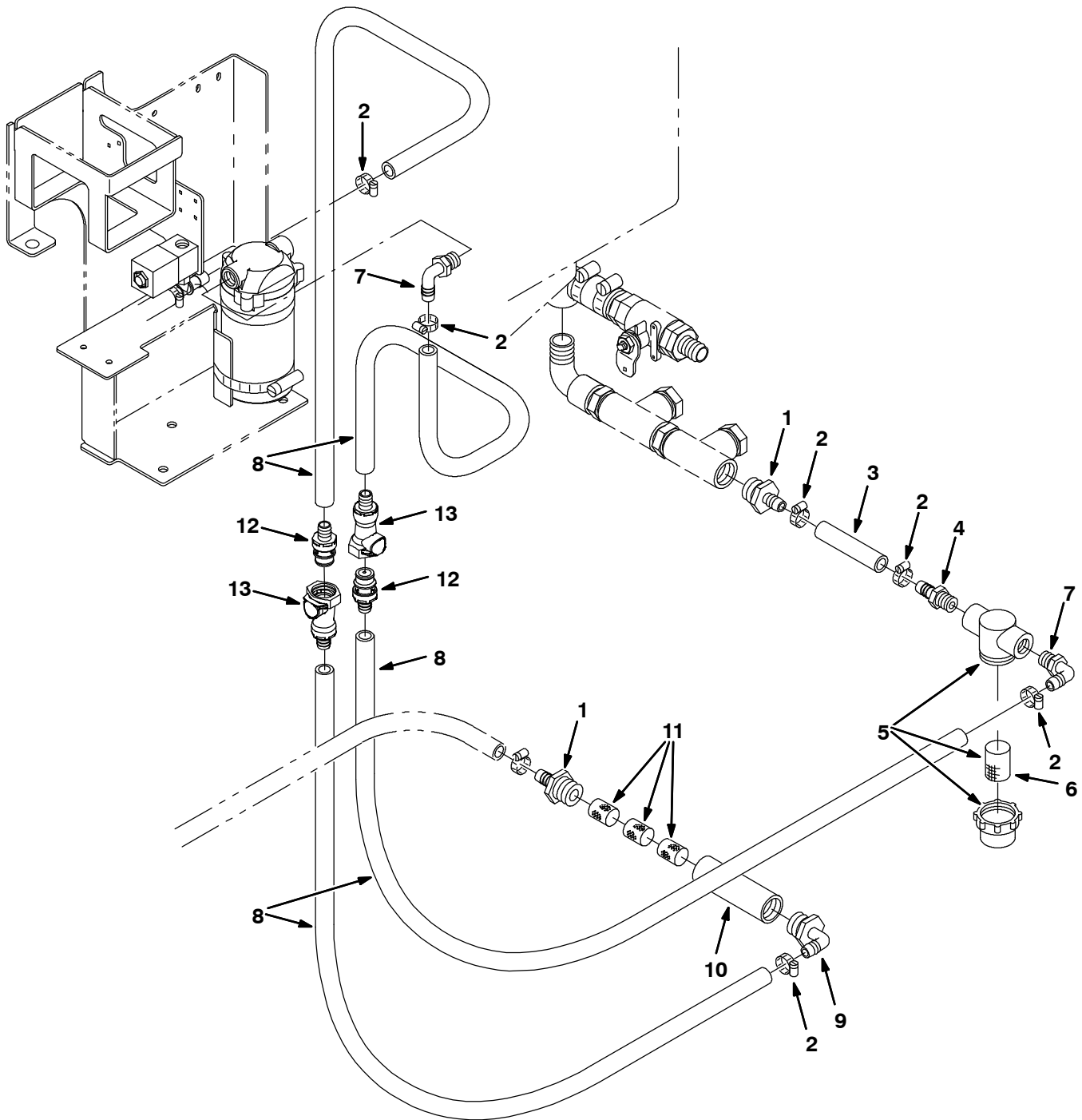




Fig. 17 - FaST Foam Filter Group (000000-003746)

Ref.	Tennant Part No.	Machine Serial Number	Description	Qty.	
1	79273-1	(000000-003746 )	Fitting, Plstc, Str, Bm08/Pm12	1	
2	54333	(000000-003746 )	Clamp, Hose, Wormdrive, 0.31-0.88d	6	
3	1011403	(000000-003746 )	Hose, Afmkt Replmt, Pvc, Brd 0.50id 1 Ft	1	
4	64743	(000000-003746 )	Fitting, Plstc, Str, Bm08/Pm06	1	
▽	5	1005302	(000000-003746 )	Filter, Inline, Pf06/Pf06, 80 Mesh	1
▲	6	1005304	(000000-003746 )	Screen, Filter, 80 Mesh	1
7	64778	(000000-003746 )	Fitting, Plstc, E90, Bm08/Pm06	2	
8	1011835	(000000-003746 )	Hose, Afmkt Replmt, Pvc, Brd 0.50id 20ft	1	
9	1005552	(000000-003746 )	Fitting, Plstc, E90, Bm08/Pm12, Nyl	1	
10	1005086	(000000-003746 )	Tube, Pvc, Shc80, Clear, 4.0l	1	
11	1002789	(000000-003746 )	Filter, Foam	3	
12	1017415	(000000-003746 )	Coupling Insert, Qm, Bm08	1	
13	1017413	(000000-003746 )	Coupling Body, Qf, Pm08	1	

**Fig. 18 - FaST Pumps and Detergent Group (003747- )**

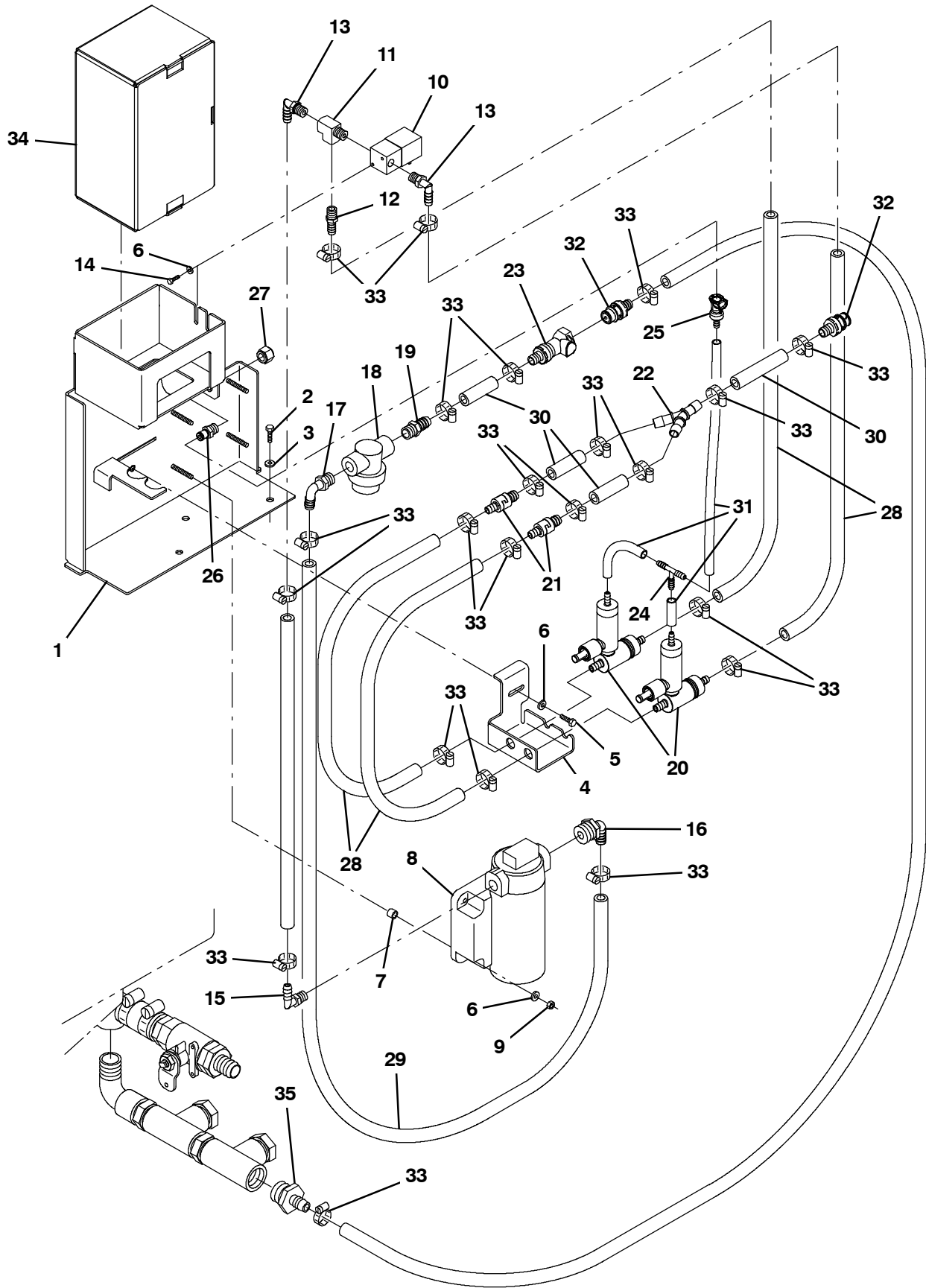


Fig. 18 - FaST Pumps and Detergent Group (003747- )

Ref.	Tennant Part No.	Machine Serial Number	Description	Qty.
1	1050771	(003747- )	Bracket Wldt [7300/8300 Fast li+]	1
2	16735	(003747- )	Screw, Hex, M8 X 1.25 X 16, 8.8	3
3	32491	(003747- )	Washer, Flat, 0.31, Std	3
4	1050805	(003747- )	Bracket, Mtg [Fast li+]	1
5	06942	(003747- )	Screw, Hex, M6 X 1.00 X 16, 8.8	1
6	01683	(003747- )	Washer, Flat, 10, Ss	7
7	360801	(003747- )	Sleeve, 0.32b 0.50d 0.3l, 2cham, Ss	4
8	1045633	(003747- )	Pump, Soltn, 36vdc, 65psi [Fast li+]	1
9	06549	(003747- )	Nut, Hex, Lock, M5 X 0.80, NI	4
10	1028581	(003747- )	Valve, Water, Solenoid, 36vdc 6.0mm Pf04	1
11	150709	(003747- )	Fitting, Brs, Tee, Pm04/Pf04/Pf04, Run	1
12	150540	(003747- )	Fitting, Plstc, Str, Bm06/Pm04	1
13	57248	(003747- )	Fitting, Plstc, E90, Bm06/Pm04, Nyl	2
14	12312	(003747- )	Screw, Hex, M5 X 0.80 X 12, 8.8	2
15	1049259	(003747- )	Fitting, Nyl, Qdc, E90, Bm06/ Qm10	1
16	1049254	(003747- )	Fitting, Nyl, Qdc, E90, Bm08/ Qm10	1
17	64778	(003747- )	Fitting, Plstc, E90, Bm08/Pm06	1
18	1005302	(003747- )	Filter, In-Line, Pf06/Pf06 080mesh 02.6l	1
19	64743	(003747- )	Fitting, Plstc, Str, Bm08/Pm06	1
20	9006118	(003747- )	Fast Kit, Injector, Ci [7300/8300] (See Breakdowns)	2
21	1035794	(003747- )	Valve, Check, 0005psi Bm06/Bm08	2
22	1010668	(003747- )	Fitting, Plstc, Y, Bm08/Bm08/Bm08, Nyl	1
23	1017413	(003747- )	Housing, Cplg, Qf / Pm08	2
24	150713	(003747- )	Fitting, Plstc, Tee, Bm04/Bm04/Bm04	1
25	1002898	(003747- )	Fitting, Plstc, Str, Bm04, Cplg, Fem	1
26	1002899	(003747- )	Fitting, Plstc, Str, Pm04, Cplg, Mal	1
27	1005435	(003747- )	Fitting, Plstc, Pipe, Cap, Pf04	1
28	1006400	(003747- )	Hose, Afmkt, Pvc, Brd, 0.38id, 03ft, Clr	2
29	1011521	(003747- )	Hose, Afmkt, Pvc, Brd, 0.50id, 02ft, Clr	1
30	1011403	(003747- )	Hose, Afmkt, Pvc, Brd, 0.50id, 01ft, Clr	1
31	1014986	(003747- )	Hose, Afmkt, Pvc, Clr, 0.25id, 02ft	1
32	1017415	(003747- )	Insert, Cplg, Qm, Bm08	2
33	54333	(003747- )	Clamp, Hose, Wormdrive, 0.31-0.88d, .31w	22
34	1021878	(003747- )	Fast 665 4 Ltr, Detergent	1
34	9002022	(003747- )	Fast 965 4 Ltr, Detergent	1
35	79273-1	(003747- )	Fitting, Plstc, Str, Bm08/Pm12	1

**Fig. 19 - Solution Control Group**

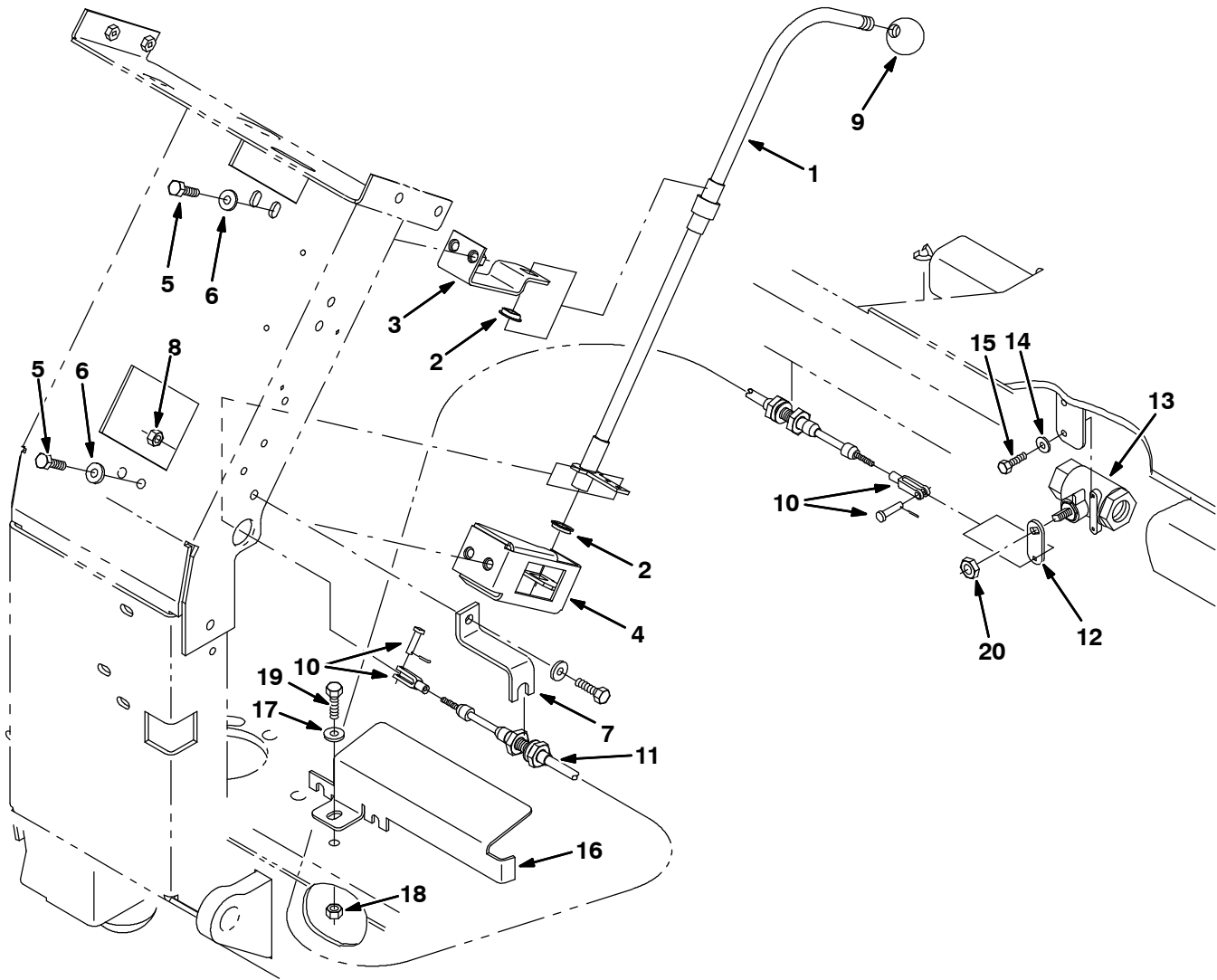


Fig. 19 - Solution Control Group

Ref.	Tennant Part No.	Machine Serial Number	Description	Qty.
1	386116	(000000-	) Rod Wldt	1
2	04843	(000000-	) Bushing, Flng, 0.63b 0.72d 0.25l	2
3	387382	(000000-	) Bracket, Cntrl, Water	1
4	387380	(000000-	) Bracket Wldt	1
5	16735	(000000-	) Screw, Hex, M08 X 1.25 X 16, 8.8	5
6	32491	(000000-	) Washer, Flt, .31 Std	4
7	386119	(000000-	) Bracket, Cable Cntrl	1
8	08709	(000000-	) Nut, Hex, Lock, M08 X 1.25, NI	1
9	26156	(000000-	) Knob, 0.50-20, 1.38d, Plstc	1
10	27880	(000000-	) Clevis, Adj, 0.19pin, #10-32	2
11	386351	(000000-	) Cable, Push Pull	1
12	386429	(000000-	) Lever, Valve, Water	1
13	79350	(000000-	) Valve, Water	1
14	01683	(000000-	) Washer, Flt, #10 Ss	2
15	42011	(000000-	) Screw, Hex, #10-24 X 0.50, Ss	2
16	387425	(000000-	) Bracket, Guard	1
17	01684	(000000-	) Washer, Flt, .25 Ss	1
18	08712	(000000-	) Nut, Hex, Lock, M06 X 1.0, NI, Ss	1
19	09007	(000000-	) Screw, Hex, M06 X 1.0 X 25, Ss	1
20	363453	(000000-	) Nut, Hex, Lock, .44-20, NI, Thin	1

**Fig. 20 - Recovery Tank Group**

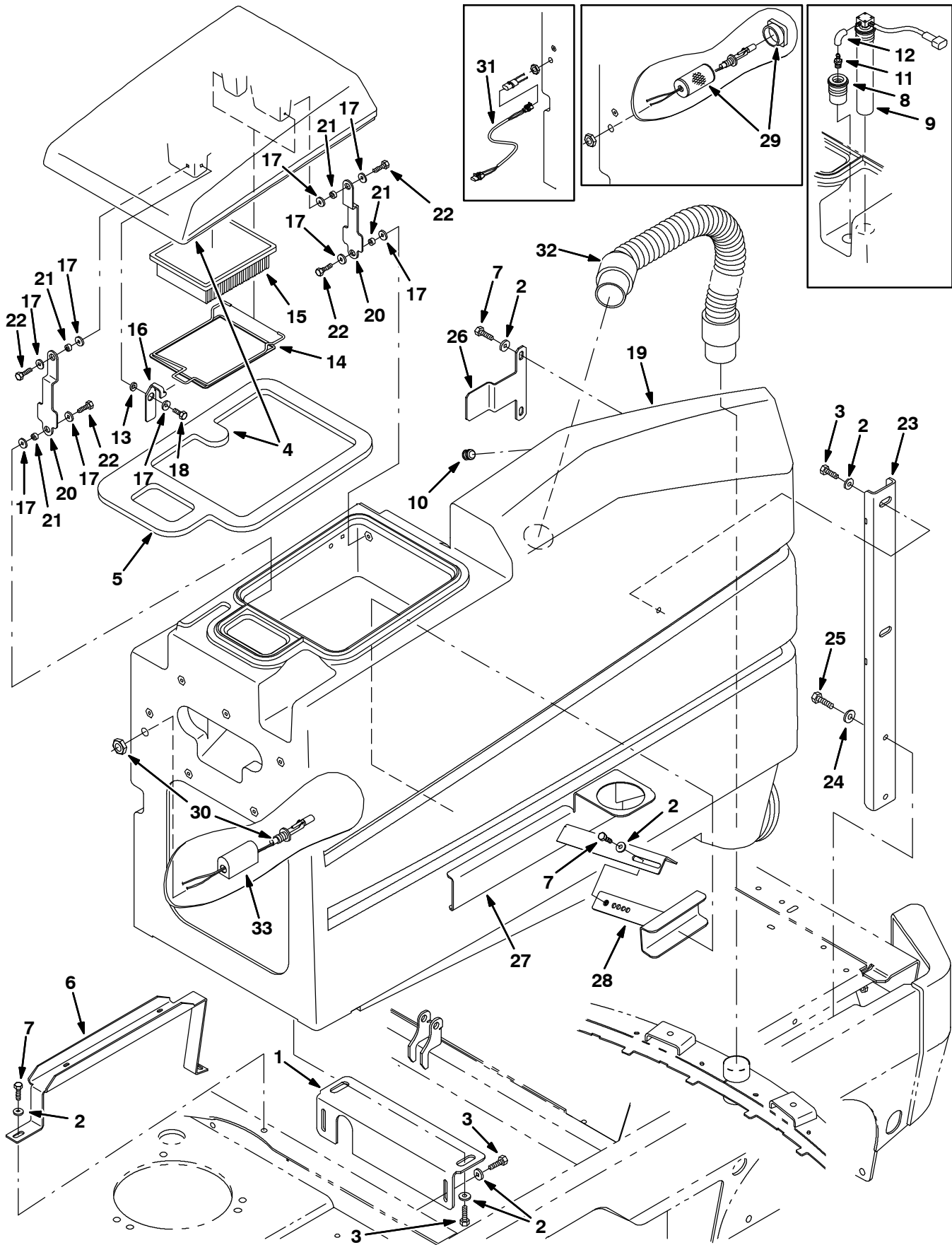


Fig. 20 - Recovery Tank Group

Ref.	Tennant Part No.	Machine Serial Number	Description	Qty.
1	386109	(000000-	) Bracket, Mtg, Tank	1
2	01685	(000000-	) Washer, Flt, .31 Ss	14
3	12273	(000000-	) Screw, Hex, M08 X 1.25 X 20, Ss, NI	6
▽ 4	387593	(000000-	) Kit, Cover, Recvy, W/Gasket	1
▲ 5	386223	(000000-	) Gasket, Tank, Recovery	1
6	386330	(000000-	) Channel, Harness	1
7	09740	(000000-	) Screw, Hex, M08 X 1.25 X 20, Ss	6
8	385750	(000000-001541	) Tube Assy, 2 Inch	1
9	375429	(000000-001541	) Switch Assy, Press, 4 Inch	1
10	386424	(000000-	) Plug, Cap	1
11	386425	(000000-001541	) Fitting, Plstc, [90 Bm03/Pm02]	1
12	13292	(000000-001541	) Hose, Vacuum, 0.16id X 05.0l	2
13	386785	(000000-	) Spacer, Latch, Filter	1
14	387615	(000000-	) Bracket, Retainer, Filter	1
15	1037822	(000000-	) Filter, Panl, Dust, 2.0 X 06.1 X 07.6	1
16	386325	(000000-	) Bracket, Retaining, Filter	1
17	01683	(000000-	) Washer, Flt, #10 Ss	9
18	15675	(000000-	) Screw, Hex, M08 X 1.25 X 16, Ss	1
19	387685	(000000-	) Tank Kit, Recvy, W/ Label, Replmt [7300]	1
20	386108	(000000-	) Bar	2
21	360801	(000000-	) Sleeve	4
22	12273	(000000-	) Screw, Hex, M08 X 1.25 X 20, Ss, NI	4
23	386160	(000000-	) Channel	1
24	01686	(000000-	) Washer, Flt, .38 Ss	2
25	77347	(000000-	) Screw, Hex, M10 X 1.5 X 35, Ss	2
26	386414	(000000-	) Bracket, Retaining	1
27	386444	(000000-	) Bracket Wldt, Tank	1
28	386445	(000000-	) Bracket Wldt, Tank	1
29	375302	(001542-002264	) Strainer, Soltn, Switch Guard (Repl. By 387649)	1
30	222822	(001542-002036	) Sensor, Level, Liquid [Magnetic]	1
30	385685	(002037-	) Sensor, Level, Liquid, 14vdc 01a .62-11	1
31	369766	(001542-002036	) Harness, Sensor, Jumper	1
32	386267	(000000-	) Hose, Vacuum, 89.0l	1
33	1019285	(002265-	) Bracket, Protector, Float Switch	1

Fig. 21 - Recovery Tank Drain Assembly

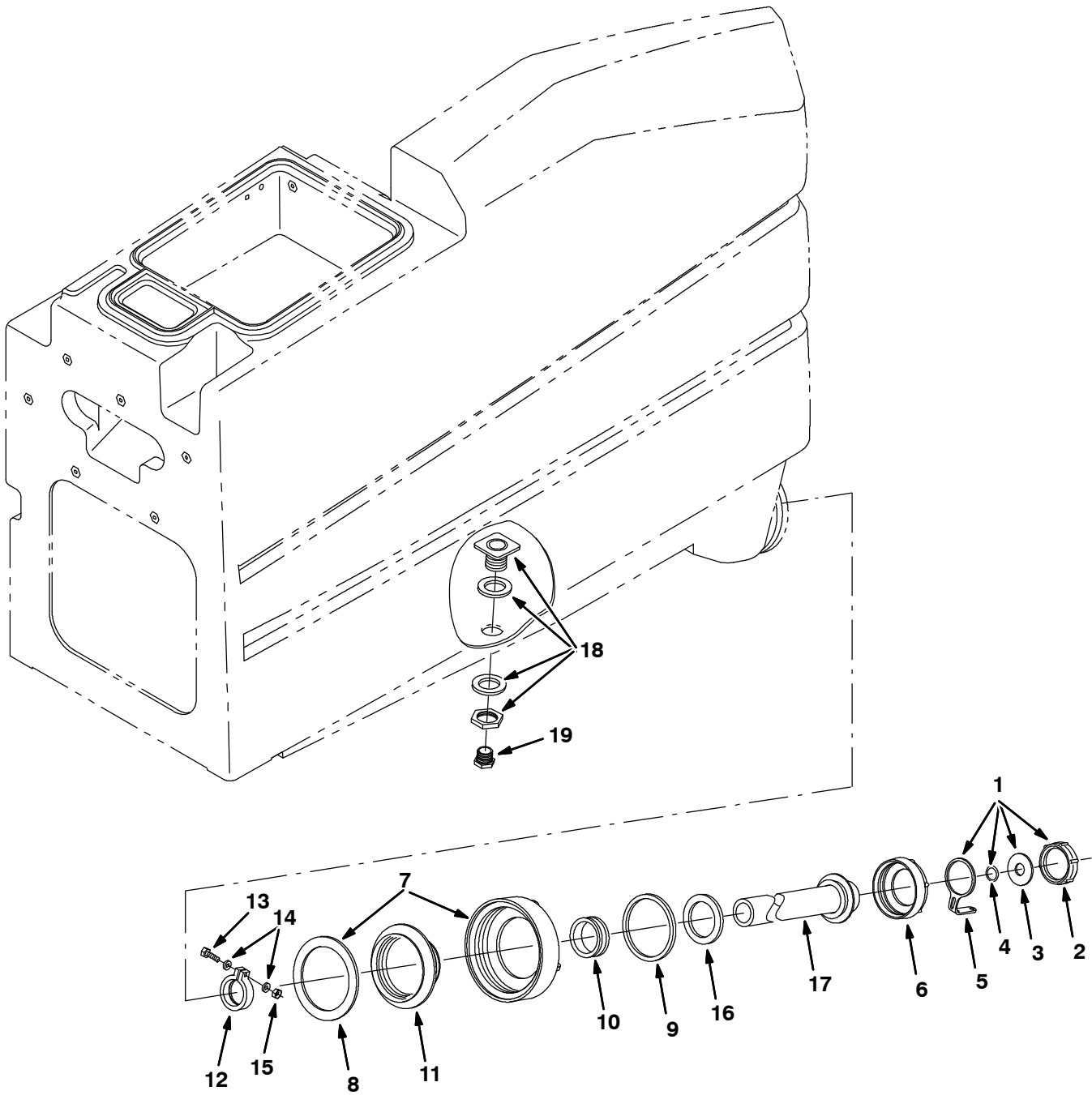




Fig. 21 - Recovery Tank Drain Assembly

Ref.	Tennant Part No.	Machine Serial Number	Description	Qty.
▽	387201	(000000-	) Hose Assy, Drain	1
▲▽	1 32501	(000000-	) Kit, Cap, Drain	1
▲▲	2 32613	(000000-	) Cap, Tank, Drain, 2.25 Thread Pye	1
▲▲	3 32614	(000000-	) Gasket, Cap	1
▲▲	4 32669	(000000-	) Ring, Retaining, Ext, 0.75d, Ss	1
▲▲	5 32508	(000000-	) Strap	1
▲	6 14880	(000000-	) Cap, Tank, Drain, 3.85 Thread Pye	1
▲▽	7 24358	(000000-	) Cap, Tank	1
▲▲	8 1031699	(000000-	) Gasket, .19, 4.05id 5.29od [Buna]	1
▲	9 79320	(000000-	) Gasket, Cap, Drain	1
▲	10 41421	(000000-	) Seal	1
▲	11 14864	(000000-	) Cover, Insert	1
▲	12 41454	(000000-	) Clamp, Hose, Plstc, 1.60d X 0.62w	1
▲	13 12316	(000000-	) Screw, Hex, M05 X 0.8 X 25, Ss	1
▲	14 01683	(000000-	) Washer, Flt, #10 Ss	1
▲	15 09739	(000000-	) Nut, Hex, Lock, M05 X 0.8, NI, Ss	1
▲	16 41451	(000000-	) Gasket, Lid	1
▲	17 386423	(000000-	) Hose Assy, Drain	1
	18 377349	(000000-	) Fitting, Plstc, Bkhd, Pf12/Pf12	1
	19 75611	(000000-	) Fitting, Plstc, Plug, Pm12	1

Fig. 22 - Vacuum Fan Group

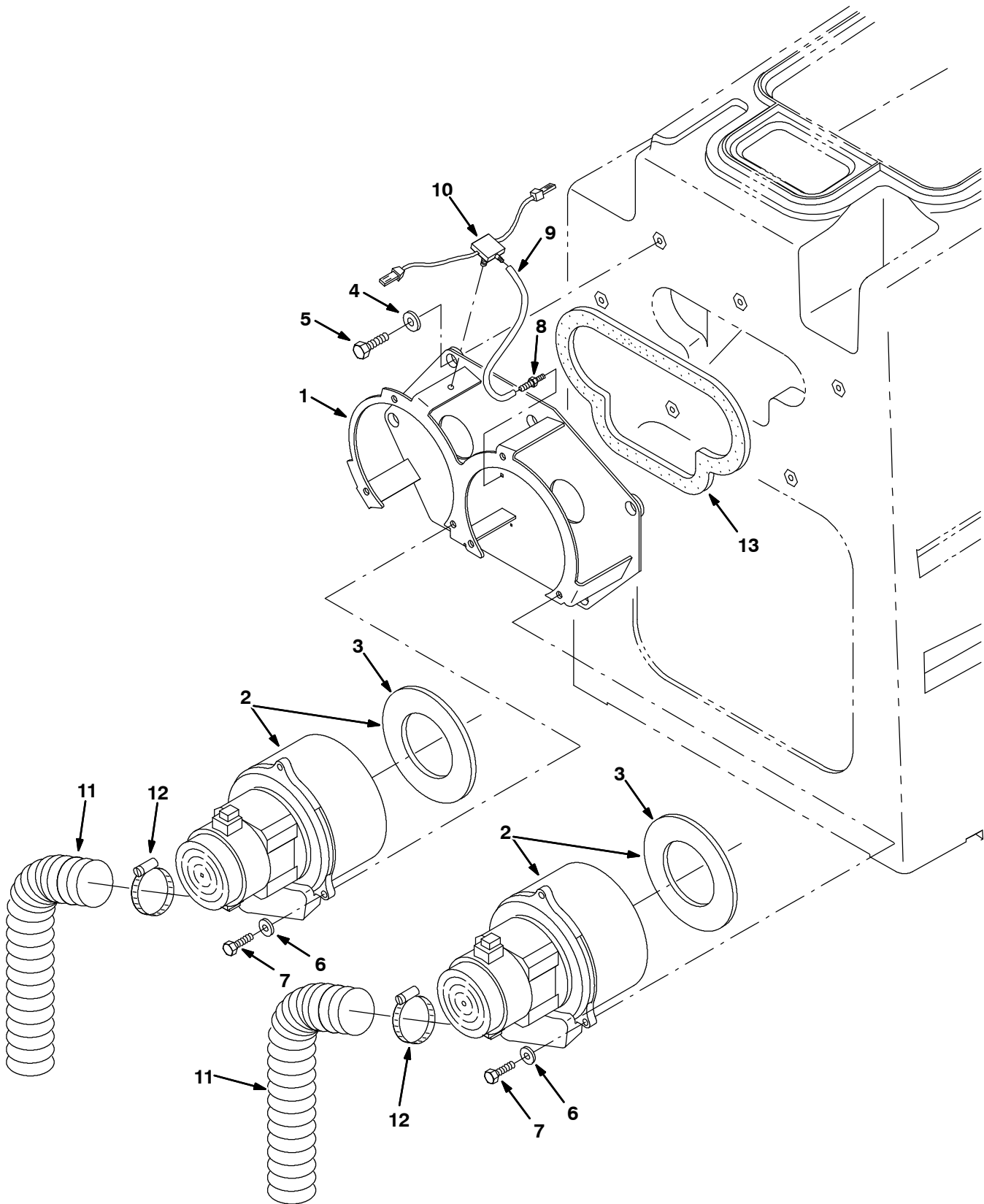


Fig. 22 - Vacuum Fan Group

Ref.	Tennant Part No.	Machine Serial Number	Description	Qty.
	1	386321	(000000-003472 ) Bracket Wldt, Mtg, Fan	1
	1	1041797	(003473- ) Bracket Wldt, Mtg, Fan	1
▽	2	17363	(000000-001557 ) Fan Assy, Vacuum (See Breakdown) (Replaced by 398520)	2
▲	3	223264	(000000-001557 ) Seal, Rbr, Clsd, 0.25th, 5.8d 03.3h	1
▽	2	398520	(001558-003472 ) Fan Assy, Vacuum (See Breakdown)	2
▲	3	223264	(001558-003472 ) Seal, Rbr, Clsd, 0.25th, 5.8d 03.3h	1
▽	2	1039617	(003473- ) Fan, Vacuum, 5.7D, 036Vdc, 3 Stage	1
▲	3	10912	(003473- ) Seal, Rbr, Clsd, 0.375, 5.0D 2.5H	1
	4	13248	(000000- ) Washer, 0.40b 1.12d .12, Stl, Pl	6
	5	15675	(000000- ) Screw, Hex, M08 X 1.25 X 16, Ss	6
	6	32483	(000000- ) Washer, Flat, 0.25, Sae	6
	7	06943	(000000- ) Screw, Hex, M6 X 1.00 X 20, 8.8	6
	8	40607	(000000- ) Fitting, Brs, Str, Pm02/Bm03	1
	9	13292	(000000- ) Hose, Vacuum, 0.16id X 05.0l	1
	10	386349	(000000- ) Switch, Vacuum, Dual Level	1
	11	387499	(000000- ) Hose, Vacuum	2
	12	22297	(000000- ) Clamp, Hose, Wormdrive, 1.56-2.50d	2
	13	386323	(000000- ) Gasket, Mtg, Fan	1

Fig. 23 - Scrub Head Lift Group

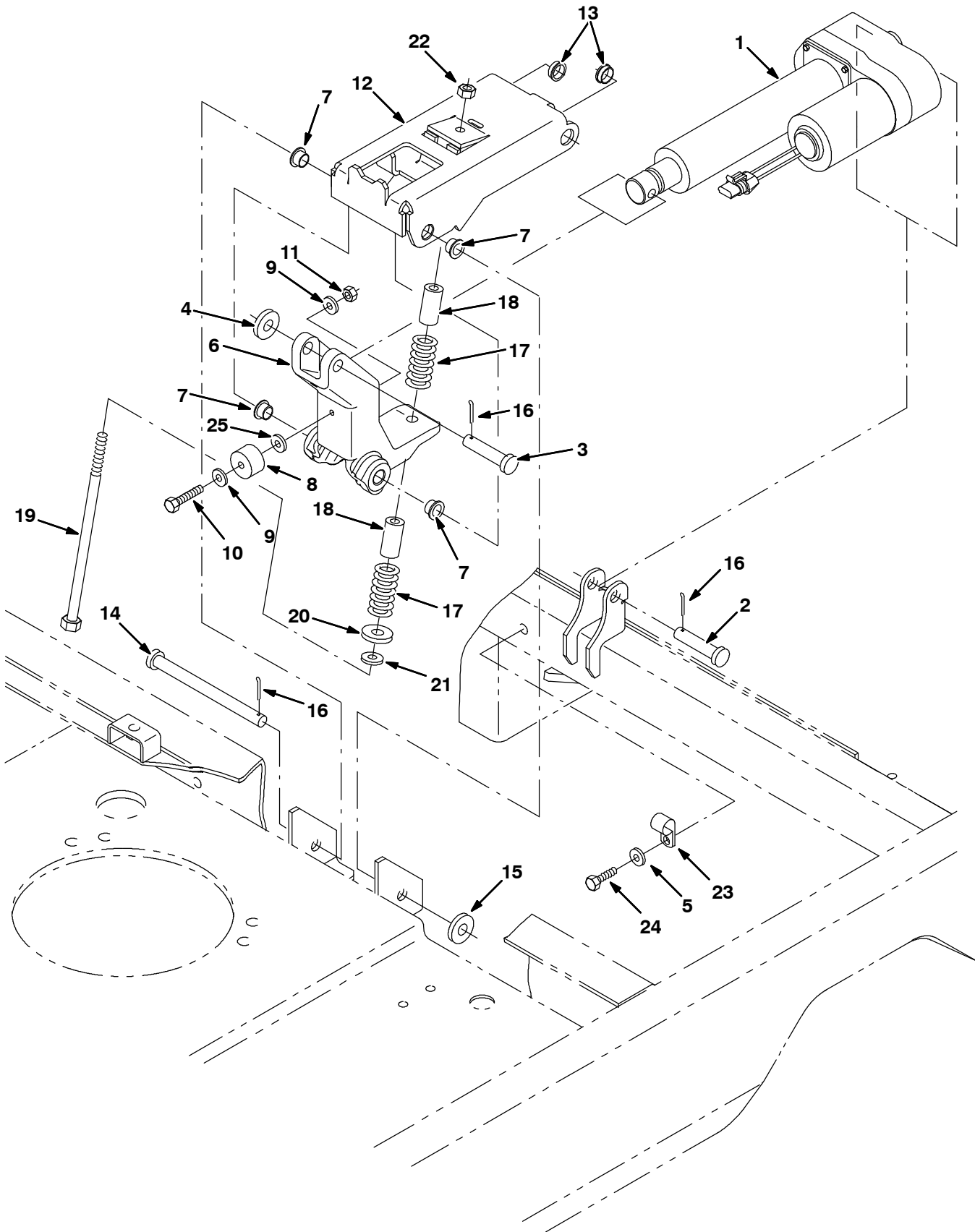


Fig. 23 - Scrub Head Lift Group

Ref.	Tennant Part No.	Machine Serial Number	Description	Qty.
1	386985	(000000-	) Actuator, 36vdc, 7.0stroke, 700lb	1
2	43290	(000000-	) Pin, Clevis, 0.50 D X 1.75l	1
3	06279	(000000-	) Pin, Clevis, 0.50 D X 2.50l	1
4	32493	(000000-	) Washer, Flt, .50 Std	1
5	01684	(000000-	) Washer, Flt, .25 Ss	1
6	387097	(000000-	) Bellcrank, Head Lift	1
7	15648	(000000-	) Bushing, Flng, 0.50b 0.59d 0.38l	4
8	386988	(000000-	) Bumper, Rbr, 1.19d .72l	1
9	01683	(000000-	) Washer, Flt, #10 Ss	2
10	12316	(000000-	) Screw, Hex, M05 X 0.8 X 25, Ss	1
11	09739	(000000-	) Nut, Hex, Lock, M05 X 0.8, NI, Ss	1
12	386031	(000000-	) Arm Wldt, Lift, Scrub Head, [7300]	1
13	04843	(000000-	) Bushing, Flng, 0.63b 0.72d 0.25l	2
14	51225	(000000-	) Pin, Clevis, 0.50 D X 5.50l	1
15	41619	(000000-	) Washer, Flt, .50 Ss	1
16	08182	(000000-	) Pin, Cotter, .125 X 1.00	3
17	386049	(000000-	) Spring, Cmpr, 1.5 Od .75id X 2.5l	2
18	386961	(000000-	) Sleeve, .38b X .75d X 1.5l, Bronze	2
19	14455	(000000-	) Screw, Hex, M08 X 1.25 X 160, 8.8	1
20	41619	(000000-	) Washer, Flt, .50 Ss	1
21	01685	(000000-	) Washer, Flt, .31 Ss	1
22	08713	(000000-	) Nut, Hex, Lock, M08 X 1.25,NI, Ss	1
23	26395-1	(000000-	) Clamp, Cable, Stl, 0.56d X 0.38w, 1h	1
24	12459	(000000-	) Screw, Hex, M06 X 1.0 X 20, Fmg	1
25	13248	(000000-	) Washer, Flat, 0.40b 1.12d .12, Stl, PI	1

Fig. 24 - Max Pro 1000 (Disc-Brush) Scrub Head Frame Group

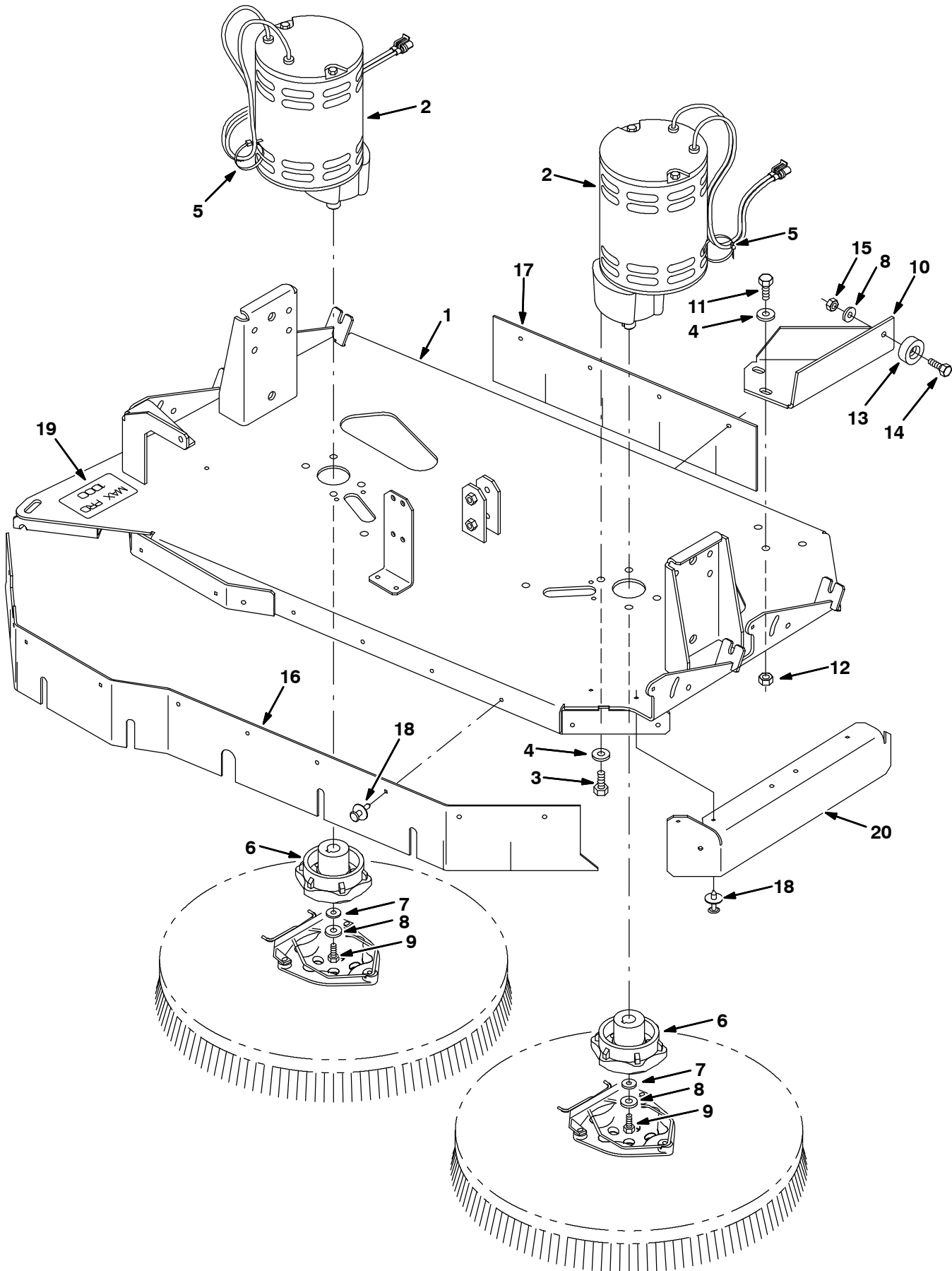


Fig. 24 - Max Pro 1000 (Disc-Brush) Scrub Head Frame Group

Ref.	Tennant Part No.	Machine Serial Number	Description	Qty.
1	386380	(000000-	) Frame Wldt, Scb Head, 2-Brush, Ele	1
2	386687	(000000-	) Motor, Ele, 36vdc 1.00hp 0300rpm, Gear (Standard) (See Breakdown)	2
2	386679	(000000-003244	) Motor, Gear, Ele, 1.5hp, 36vdc, 300rpm (Heavy Duty) (See Breakdown) (Replaced by 387585AM)	2
2	387585	(003245-	) Motor, Ele, 36vdc 1.50hp 0300rpm, Gear (Heavy Duty) (See Breakdown)	2
3	34195	(000000-	) Screw, Hex, .38-16 X 1.00, NI	8
4	01686	(000000-	) Washer, Flt, .38 Ss	11
5	49263	(000000-	) Tie, Cable, Nyl, 11.4l .19w 3.0 Max D	2
6	377364	(000000-	) Hub, Drive, Brush, Disk, 0.75B 6T	2
7	41186	(000000-	) Washer, Belleville, .31	2
8	01685	(000000-	) Washer, Flt, .31 Ss	3
9	32124	(000000-	) Screw, Hex, .31-18 X 1.00, Ss, NI	2
10	387976	(000000-	) Bracket, Stop, Frame	1
11	09028	(000000-	) Screw, Hex, M10 X 1.5 X 25, Ss	3
12	08714	(000000-	) Nut, Hex, Lock, M10 X 1.5, NI, Ss	3
13	15023	(000000-	) Bumper, Pye	1
14	09010	(000000-	) Screw, Hex, M08 X 1.25 X 25, Ss	1
15	08713	(000000-	) Nut, Hex, Lock, M08 X 1.25,NI, Ss	1
16	386387	(000000-	) Skirt, Front, Scrub Head, 2-Brush, Ele	1
17	386388	(000000-	) Skirt, Rear, Scrub Head, 2-Brush, Ele	1
18	72968	(000000-	) Rivet, Plstc, .250 X 0.898	24
19	365156	(000000-	) Label Set, Info/Hzrd, [Maxpro]	1
20	387294	(000000-	) Skirt, Side, Scrub Head, 2-Brush, Ele	2

**Fig. 25 - Max Pro 1000 (Disc-Brush) Scrub Head Linkage Group**

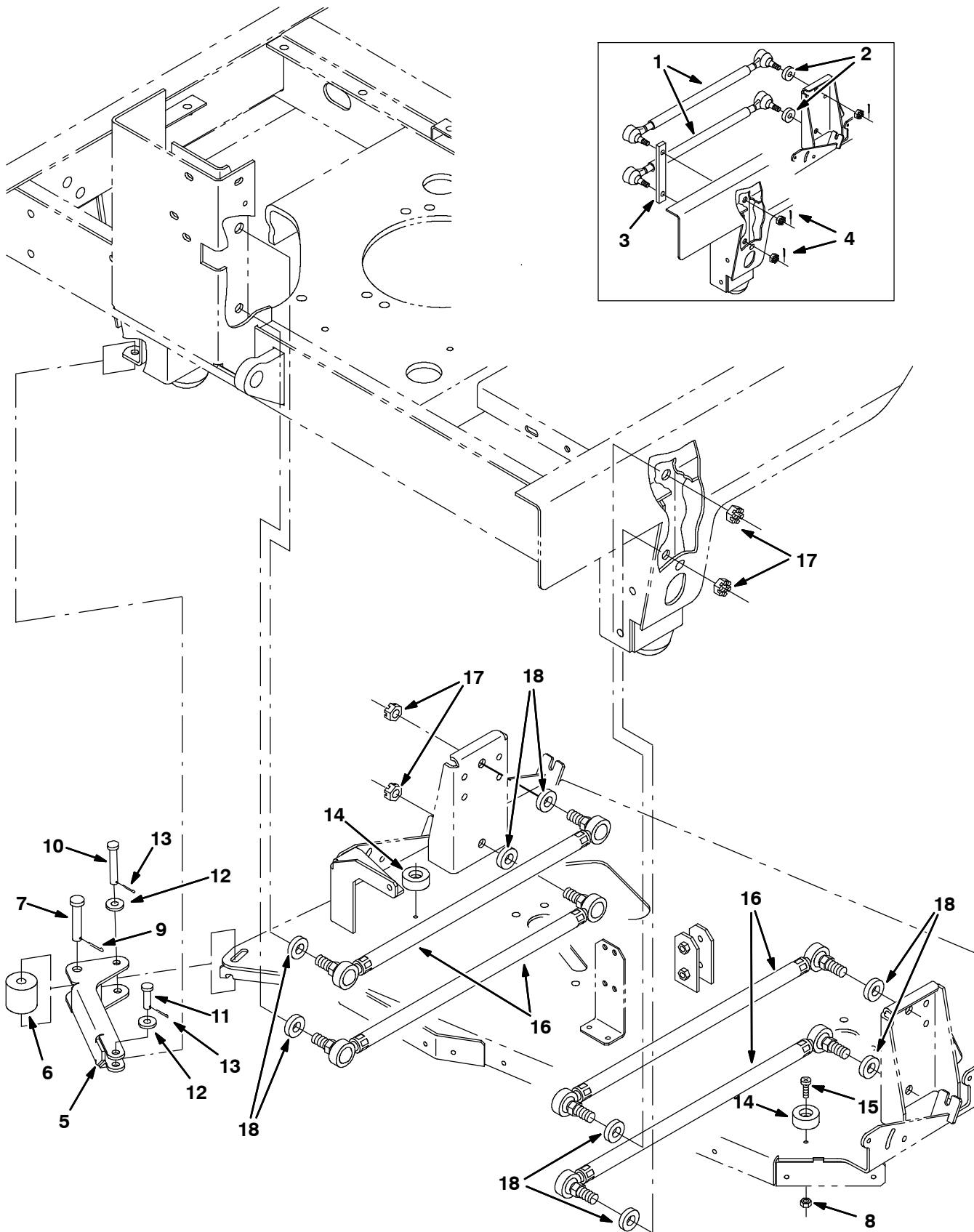




Fig. 25 - Max Pro 1000 (Disc-Brush) Scrub Head Linkage Group

Ref.	Tennant Part No.	Machine Serial Number	Description	Qty.
1	14523	(000000-003695 )	Link, Lift, Squeegee (Replaced by 9005752)	4
2	14524	(000000-003695 )	Spacer, Washer	4
3	24254	(000000-003695 )	Link, .38 1.0w 07.5l 2/1.5h	2
4	08346	(000000-003695 )	Pin, Cotter, .125 X 0.75	8
5	1001099	(000000- )	Guard, Kick In, Scb Head	1
6	72946	(000000- )	Roller	1
7	06279	(000000- )	Pin, Clevis, 0.50 D X 2.50l	1
8	08712	(000000- )	Nut, Hex, Lock, M06 X 1.0, NI, Ss	2
9	08182	(000000- )	Pin, Cotter, .125 X 1.00	1
10	365180	(000000- )	Pin, Clevis, 0.38 D X 2.50l	1
11	29557	(000000- )	Pin, Clevis, 0.37 D X 1.31l	1
12	01686	(000000- )	Washer, Flt, .38 Ss	2
13	39005	(000000- )	Pin, Cotter, .094 X 0.75	2
14	364614	(000000- )	Bumper, Neo, 1.5d .63t .31h	2
15	08716	(000000- )	Screw, Hex, M06 X 1.0 X 20, Ss	2
16	1050195	(003696- )	Link Assy, Rod-End, .63-18	4
17	40814	(003696- )	Nut, Hex, Lock, .62-18, NI, Thin	8
18	386081	(003696- )	Tube, 0.69ld 1.25Od 00.4L, Blk, Rod-End	8

# STANDARD PARTS

Fig. 26 - Max Pro 1000 (Disc-Brush) Solution Valve Group

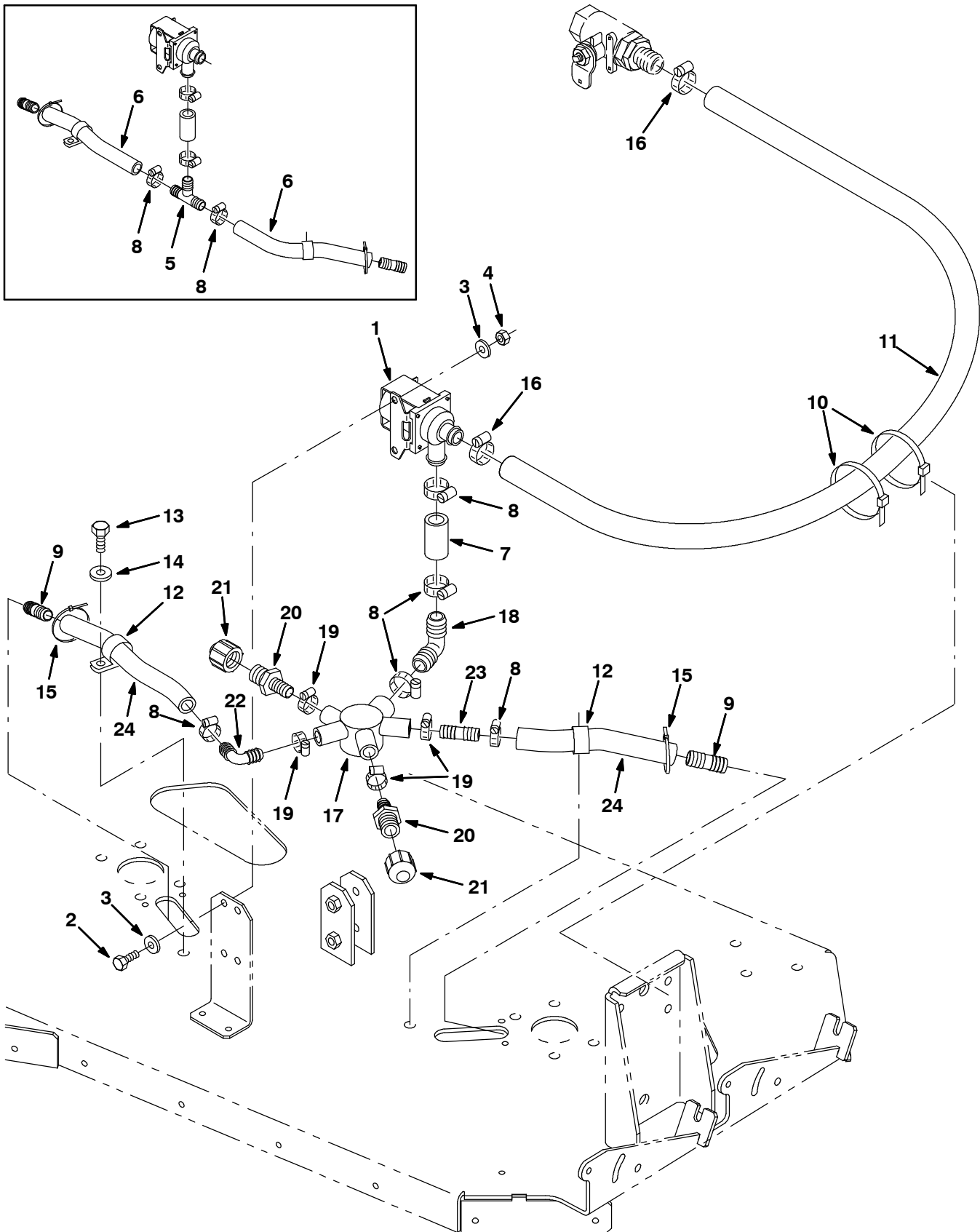


Fig. 26 - Max Pro 1000 (Disc-Brush) Solution Valve Group

Ref.	Tennant Part No.	Machine Serial Number	Description	Qty.
1	84028	(000000-	) Valve, Water	1
2	15678	(000000-	) Screw, Hex, M06 X 1.0 X 16, Ss	2
3	32490	(000000-	) Washer, Flt, .25 Std	4
4	08712	(000000-	) Nut, Hex, Lock, M06 X 1.0, NI, Ss	2
5	16356	(000000-001986	) Fitting, Plstc, Tee, Bm10/Bm10/Bm10	1
6	223699	(000000-001986	) Hose, Pvc, Brd, 0.62id 0.91od 10.30l	1
7	16914	(000000-	) Hose, Pvc, Brd, 0.75id 1.03od 02.00l	1
8	63810	(000000-	) Clamp, Hose, Wormdrive, 0.56-1.06d, .56w	6
9	365164	(000000-	) Fitting, Plstc, Str, Bm10/Bm10	2
10	44961	(000000-	) Tie, Cable, Nyl, 14.5l .30w 4.0 Max D	2
11	73474	(000000-	) Hose, Pvc, Brd, 0.75id 1.03od 44.50l	1
12	40678-1	(000000-	) Clamp, Cable, Stl, 0.88d X 0.62w, 1h	2
13	12273	(000000-	) Screw, Hex, M08 X 1.25 X 20, Ss, NI	2
14	01685	(000000-	) Washer, Flt, .31 Ss	2
15	49266	(000000-	) Tie, Cable, Nyl, 07.3l .19w 1.8 Max D	2
16	11399	(000000-	) Clamp, Hose, Wormdrive, 0.81-1.50d	2
17	1012528	(001987-	) Manifold, Soltn, Cntrl	1
18	40566	(001987-	) Fitting, Plstc, E90, Bm12/Bm12	1
19	54333	(001987-	) Clamp, Hose, Wormdrive, 0.31-0.88d, .31w	4
20	79273-4	(001987-	) Fitting, Plstc, Str, Bm08/Pm08	2
21	1015558	(001987-	) Fitting, Plstc, Cap, Pf08	2
22	63987-1	(001987-	) Fitting, Plstc, E90, Bm08/Bm08	1
23	364631	(001987-	) Fitting, Plstc, Str, Bm08/Bm08	1
24	1011521	(001987-	) Hose, Afmkt, Pvc, Brd 0.50id 2ft	1

# STANDARD PARTS

Fig. 27 - Max Pro 1000 (Disc-Brush) Solution Valve Group (FaST/ec-H2O)

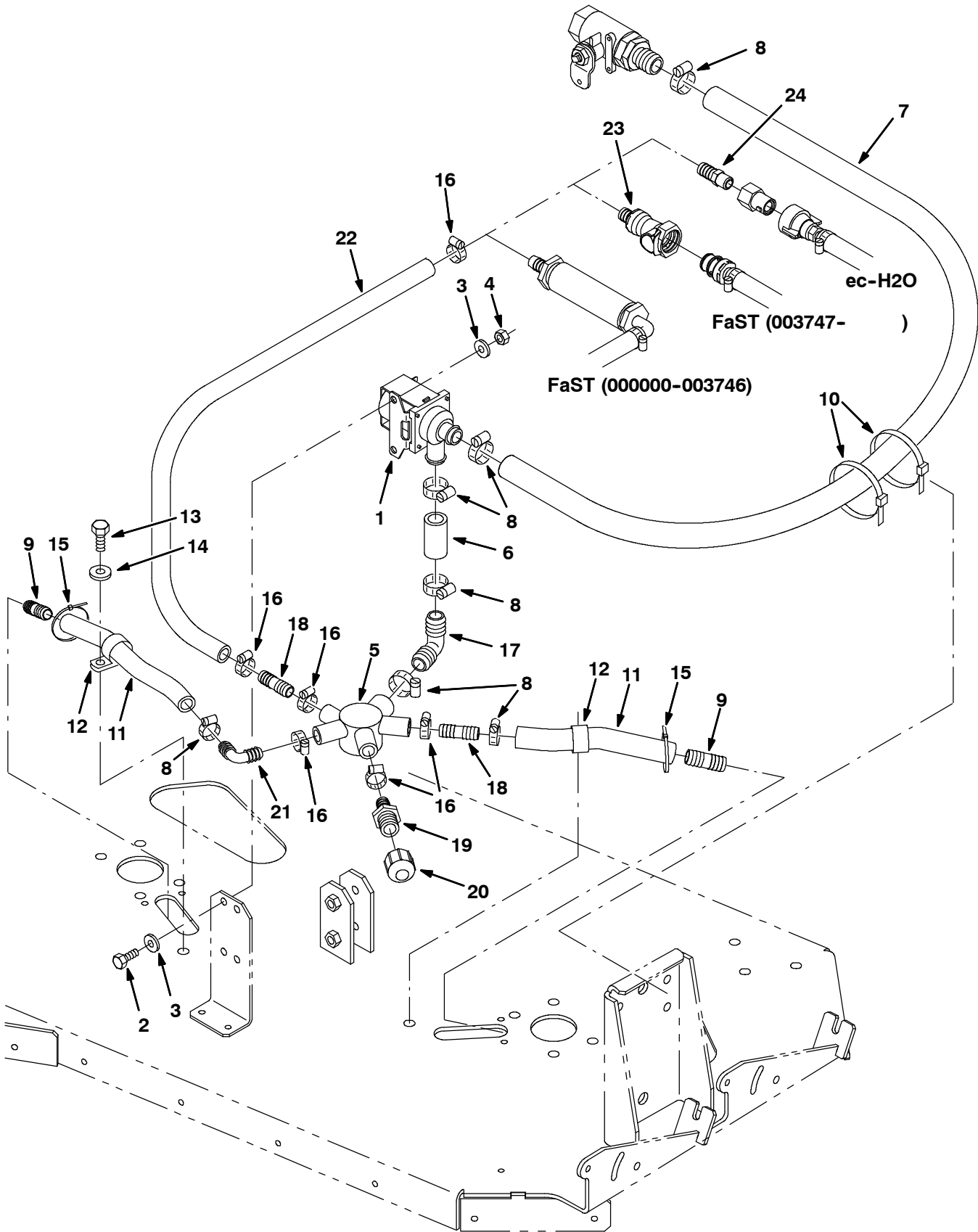


Fig. 27 - Max Pro 1000 (Disc-Brush) Solution Valve Group (FaST/ec-H2O)

Ref.	Tennant Part No.	Machine Serial Number	Description	Qty.
1	84028	(000000-	) Valve, Water	1
2	15678	(000000-	) Screw, Hex, M06 X 1.0 X 16, Ss	2
3	32490	(000000-	) Washer, Flt, .25 Std	4
4	08712	(000000-	) Nut, Hex, Lock, M06 X 1.0, NI, Ss	2
5	1012528	(000000-	) Manifold, Soltn, Cntrl	1
6	16914	(000000-	) Hose, Pvc, Brd, 0.75id 1.03od 02.00l	1
7	1015045	(000000-	) Hose, Afmkt, Pvc, Brd, 0.75id 8 Ft	1
8	63810	(000000-	) Clamp, Hose, Wormdrive, 0.56-1.06d, .56w	10
9	365164	(000000-	) Fitting, Plstc, Str, Bm10/Bm10	2
10	44961	(000000-	) Tie, Cable, Nyl, 14.5l .30w 4.0 Max D	2
11	73474	(000000-	) Hose, Pvc, Brd, 0.75id 1.03od 44.50l	2
12	40678-1	(000000-	) Clamp, Cable, Stl, 0.88d X 0.62w, 1h	2
13	12273	(000000-	) Screw, Hex, M08 X 1.25 X 20, Ss, NI	2
14	01685	(000000-	) Washer, Flt, .31 Ss	2
15	49266	(000000-	) Tie, Cable, Nyl, 07.3l .19w 1.8 Max D	2
16	54333	(000000-	) Clamp, Hose, Wormdrive, 0.31-0.88d	6
17	40566	(000000-	) Fitting, Plstc, E90, Bm12/Bm12	1
18	364631	(000000-	) Fitting, Plstc, Str, Bm08/Bm08	2
19	79273-4	(000000-	) Fitting, Plstc, Str, Bm08/Pm08	1
20	1015558	(000000-	) Fitting, Plstc, Cap, Pf08	1
21	63987-1	(000000-	) Fitting, Plstc, E90, Bm08/Bm08	1
22	1011403	(000000-	) Hose, Afmkt, Pvc, Brd 0.50id 1ft	1
23	48610	(003747-	) Fitting, Plstc, Str, Bm08/Pm04 (FaST)	1
24	1017413	(000000-	) Housing, Cplg, Qf / Pm08 (ec-H2O)	1

# STANDARD PARTS

## Fig. 28 - Max Pro 1000 (Disc-Brush) Edge Scrub Group

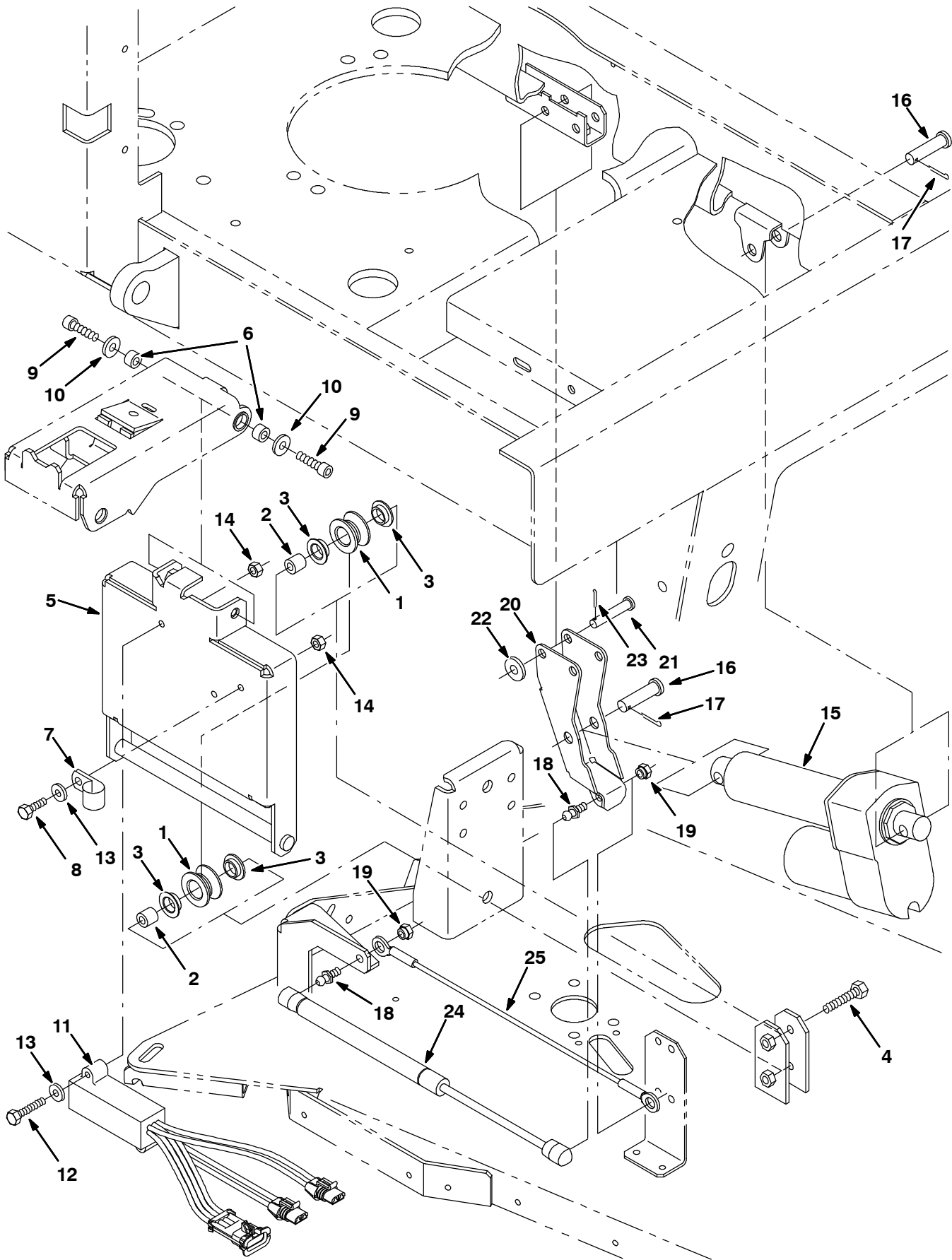


Fig. 28 - Max Pro 1000 (Disc-Brush) Edge Scrub Group

Ref.	Tennant Part No.	Machine Serial Number	Description	Qty.
1	363120	(000000-	) Roller	2
2	222277	(000000-	) Sleeve	2
3	04843	(000000-	) Bushing, Flng, 0.63b 0.72d 0.25l	4
4	222505	(000000-	) Screw, Hex, M08 X 1.25 X 45, Ss	2
5	386043	(000000-	) Rail Wldt, Lift, Disk Head	1
6	222556	(000000-	) Sleeve	2
7	67767	(000000-	) Clamp, Cable, Stl, 0.69d X 0.62w, 1h	1
8	08716	(000000-	) Screw, Hex, M06 X 1.25 X 25, Ss, NI	1
9	39308	(000000-	) Screw, Soc, M08 X 1.25 X 25, 12.9	2
10	01685	(000000-	) Washer, Flt, .31 Ss	2
11	363236	(000000-	) Shunt, 2 Std Motor, Blk [SCB 515] (For Standard Motor)	1
11	363237	(000000-	) Shunt, 2 Hd Motor, Red [SCB 515] (For Heavy Duty Motor)	1
12	33930	(000000-	) Screw, Hex, M06 X 1.0 X 40, Ss	2
13	01684	(000000-	) Washer, Flt, .25 Ss	3
14	08712	(000000-	) Nut, Hex, Lock, M06 X 1.0, NI, Ss	3
15	363152	(000000-	) Actuator, 36vdc, 02.7stroke 500lb	1
16	63147	(000000-	) Pin, Clevis, 0.50 D X 1.87l	2
17	08182	(000000-	) Pin, Cotter, .125 X 1.00	2
18	58494	(000000-	) Stud, Ball, .39d .31-16, Gasspring	2
19	14725	(000000-	) Nut, Retainer, .31-18	2
20	386048	(000000-	) Arm Wldt, Pivot, Side	1
21	29584	(000000-	) Pin, Clevis, 0.37 D X 2.00l	1
22	01686	(000000-	) Washer, Flt, .38 Ss	1
23	39005	(000000-	) Pin, Cotter, .094 X 0.75	1
24	364858	(000000-	) Gasspring, 56lb, 6.3strk	1
25	364404	(000000-	) Cable, .13d, 15.5l, .50eye /.50eye	1

Fig. 29 - Max Pro 1000 (Disc-Brush) Right Side Squeegee Group

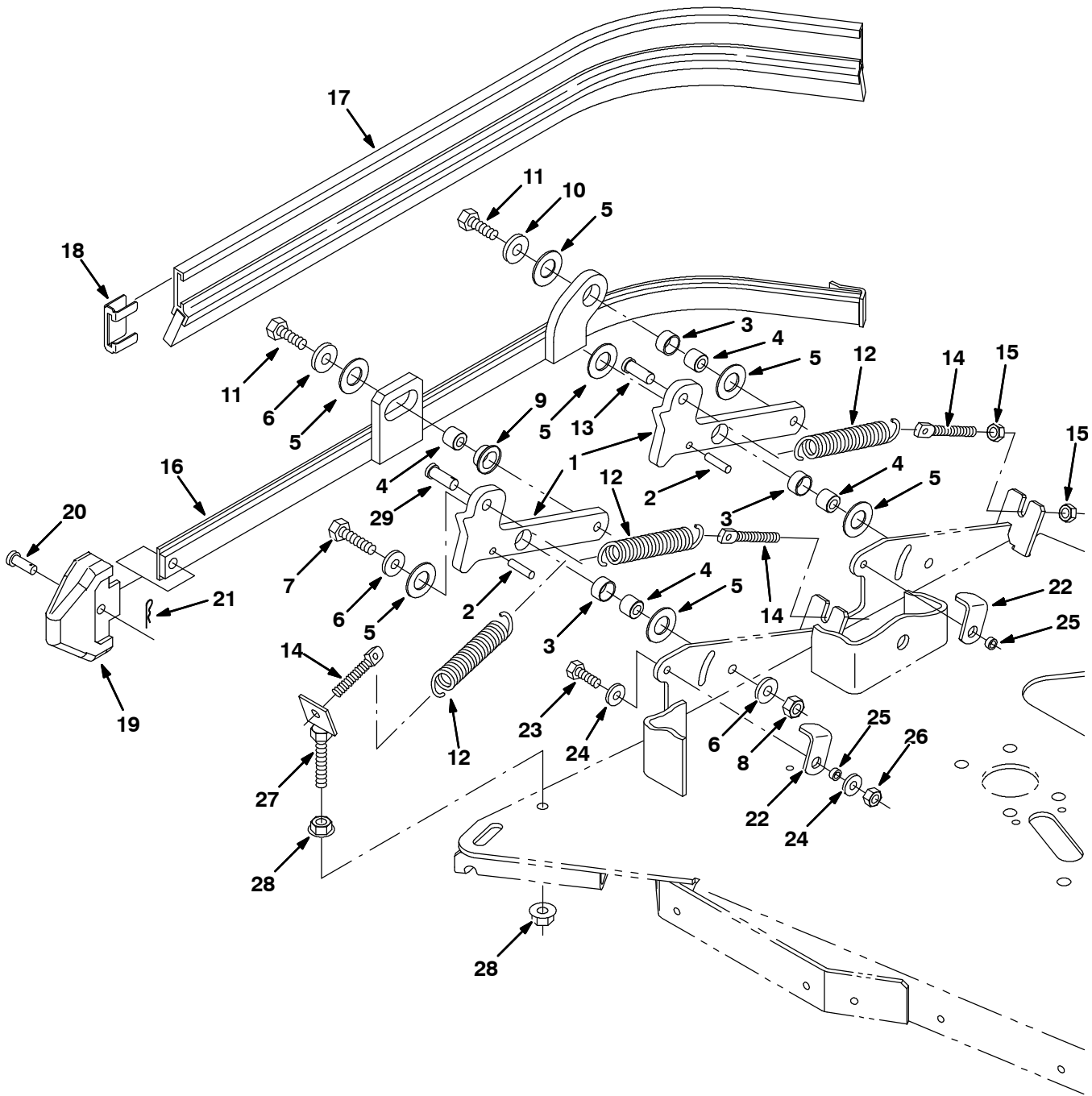




Fig. 29 - Max Pro 1000 (Disc-Brush) Right Side Squeegee Group

Ref.	Tennant Part No.	Machine Serial Number	Description	Qty.
1	386390	(000000-	) Arm, Mtg, Side Sqge Frame, Ele	2
2	17404	(000000-	) Pin, Roll, .250 D X 0.75l, .250/.256	2
3	71607	(000000-	) Bushing, Sleeve, 0.63b 0.72d 0.38l	3
4	386356	(000000-	) Sleeve, P/M, 0.625d 0.335b 0.52l Ss	4
5	64425	(000000-	) Washer, Thrust, 0.61b 1.25d .06, Fgl	7
6	01685	(000000-	) Washer, Flt, .31 Ss	5
7	09023	(000000-	) Screw, Hex, M08 X 1.25 X 35, Ss	2
8	08713	(000000-	) Nut, Hex, Lock, M08 X 1.25, NI, Ss	2
9	25735	(000000-	) Bushing, Flng, 0.63b 0.75d 0.38l	2
10	01686	(000000-	) Washer, Flt, .38 Ss	1
11	12333	(000000-	) Screw, Hex, M08 X 1.25 X 25, Ss, NI	2
12	87816	(000000-	) Spring, Extn, 0.75od X 0.09wir, 2.5l	3
13	76653	(000000-	) Pin, Clevis, 0.37 D X 1.00l	1
14	386088	(000000-	) Bolt, Eye, M8 X 1.25, 2.75l	3
15	07786	(000000-	) Nut, Hex, Std, M08 X 1.25, Ss	6
16	386263	(000000-	) Frame Wldt, Sqge, Side, Rh	1
17	386260	(000000-	) Squeegee, Side	1
18	86759	(000000-	) Retainer, Sqge	1
19	386986	(000000-	) Guide, Point, Side Sqge	1
20	386987	(000000-	) Pin, Clevis, 0.31d 0.88l	1
21	86866	(000000-	) Pin, Hair Cotter, 0.38 D .072 Wir	1
22	386391	(000000-	) Latch, Double Scrub, Side Sqge	2
23	08716	(000000-	) Screw, Hex, M06 X 1.0 X 20, Ss	2
24	01684	(000000-	) Washer, Flt, .25 Ss	4
25	80491	(000000-	) Sleeve	2
26	08712	(000000-	) Nut, Hex, Lock, M06 X 1.0, NI, Ss	2
27	1007632	(000000-	) Bracket Wldt, Mtg, Spring	1
28	27980	(000000-	) Nut, Hex, Flng, .38-16	2
29	29558	(000000-	) Pin, Clevis, 0.37 D X 1.50l	1

**Fig. 30 - Max Pro 1000 (Disc-Brush) Left Side Squeegee Group**

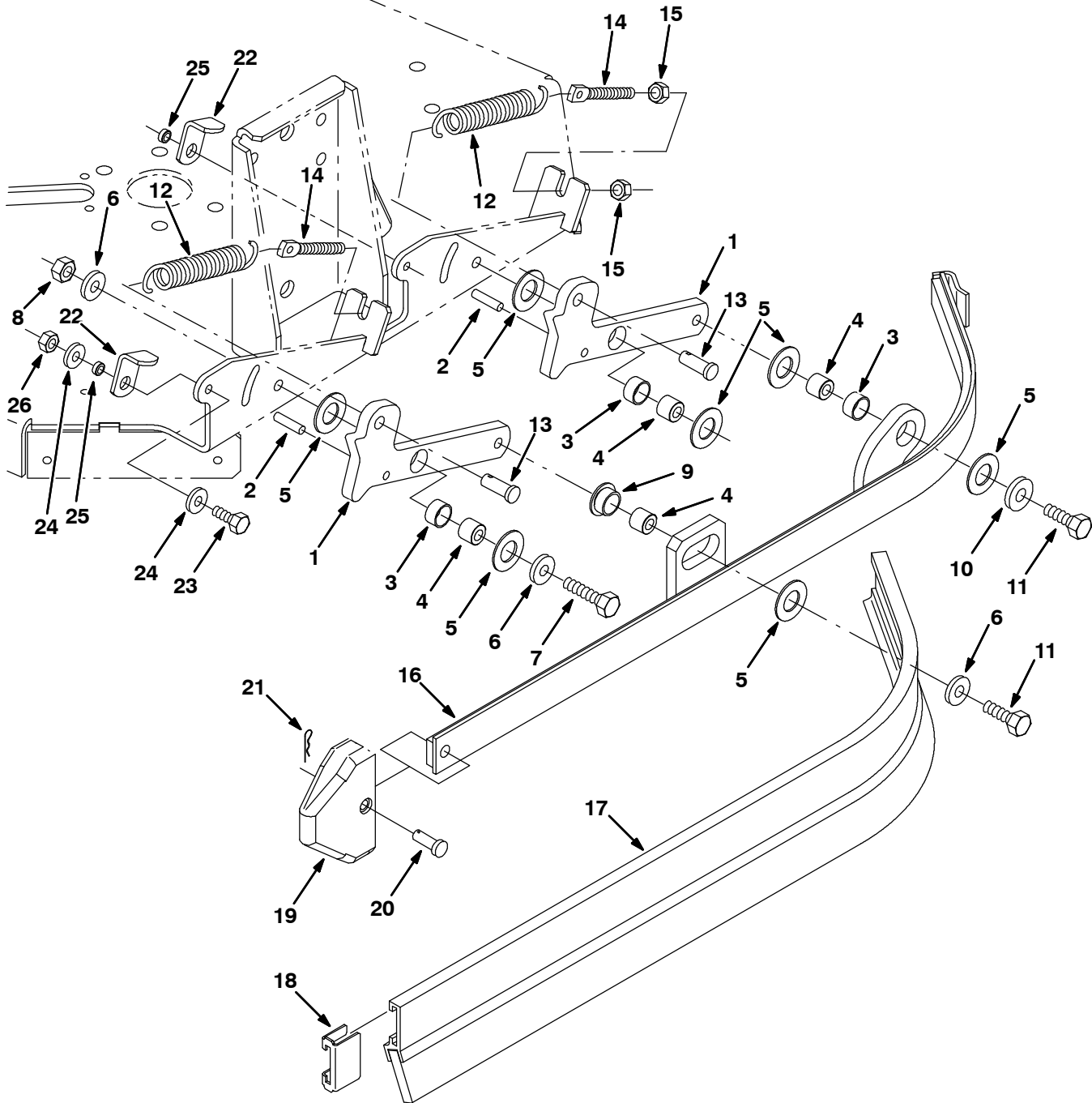


Fig. 30 - Max Pro 1000 (Disc-Brush) Left Side Squeegee Group

Ref.	Tennant Part No.	Machine Serial Number	Description	Qty.
1	386390	(000000-	) Arm, Mtg, Side Sqge Frame, Ele	2
2	17404	(000000-	) Pin, Roll, .250 D X 0.75l, .250/.256	2
3	71607	(000000-	) Bushing, Sleeve, 0.63b 0.72d 0.38l	3
4	386356	(000000-	) Sleeve, P/M, 0.625d 0.335b 0.52l Ss	4
5	64425	(000000-	) Washer, Thrust, 0.61b 1.25d .06, Fgl	7
6	01685	(000000-	) Washer, Flt, .31 Ss	5
7	09023	(000000-	) Screw, Hex, M08 X 1.25 X 35, Ss	2
8	08713	(000000-	) Nut, Hex, Lock, M08 X 1.25, NI, Ss	2
9	25735	(000000-	) Bushing, Flng, 0.63b 0.75d 0.38l	1
10	01686	(000000-	) Washer, Flt, .38 Ss	2
11	12333	(000000-	) Screw, Hex, M08 X 1.25 X 25, Ss, NI	2
12	87816	(000000-	) Spring, Extn, 0.75od X 0.09wir, 2.5l	2
13	76653	(000000-	) Pin, Clevis, 0.37 D X 1.00l	2
14	386088	(000000-	) Bolt, Eye, M8 X 1.25, 2.75l	2
15	07786	(000000-	) Nut, Hex, Std, M08 X 1.25, Ss	4
16	386262	(000000-	) Frame Wldt, Sqge, Side, Lh	1
17	386260	(000000-	) Squeegee, Side	1
18	86759	(000000-	) Retainer, Sqge	1
19	386986	(000000-	) Guide, Point, Side Sqge	1
20	386987	(000000-	) Pin, Clevis, 0.31d 0.88l	1
21	86866	(000000-	) Pin, Hair Cotter, 0.38 D .072 Wir	1
22	386391	(000000-	) Latch, Double Scrub, Side Sqge	2
23	08716	(000000-	) Screw, Hex, M06 X 1.0 X 20, Ss	2
24	01684	(000000-	) Washer, Flt, .25 Ss	4
25	80491	(000000-	) Sleeve	2
26	08712	(000000-	) Nut, Hex, Lock, M06 X 1.0, NI, Ss	2

Fig. 31 - Squeegee Linkage Group, Rear

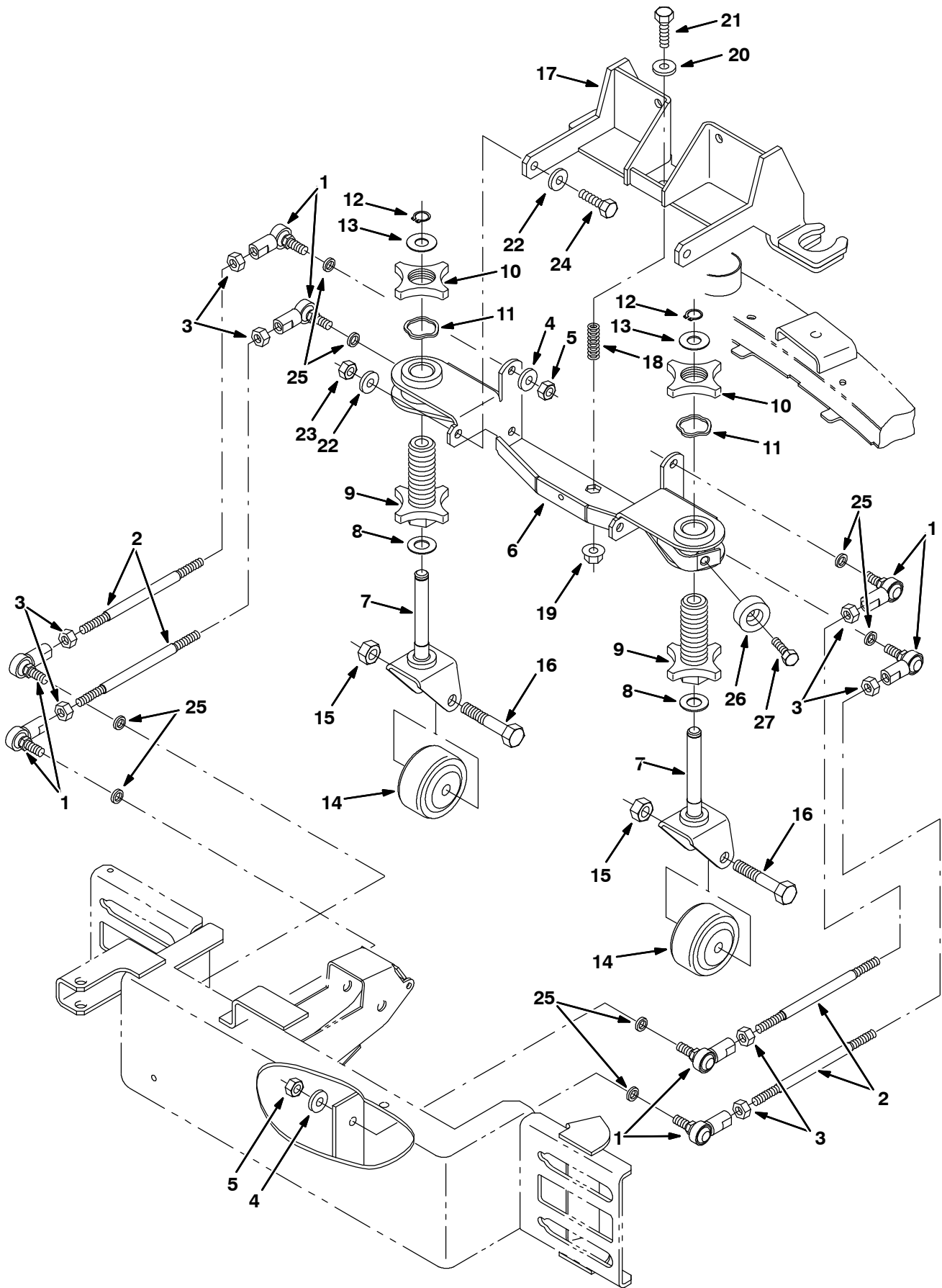


Fig. 31 - Squeegee Linkage Group, Rear

Ref.	Tennant Part No.	Machine Serial Number	Description	Qty.	
1	05686	(000000-	) Rod-End, M10 X 1.5rh Fem M10 X 1.5stud	8	
2	14555	(000000-	) Rod, Thrd, 2 End M10x1.5 07.4	4	
3	32716	(000000-	) Nut, Hex, Jam, M10 X 1.5, Ss	8	
4	01686	(000000-	) Washer, Flt, .38 Ss	8	
5	08714	(000000-	) Nut, Hex, Lock, M10 X 1.5, NI, Ss	8	
6	386256	(000000-	) Channel Wldt	1	
▽	78979	(000000-	) Caster Kit, Sqge, Replmt	2	
▲	7	84593	(000000-	) Pivot Wldt, Sqge Caster	1
▲	8	07450	(000000-	) Bearing, Thrust, 0.66b 1.25d 0.06w	1
▲	9	77228	(000000-	) Knob, Adj	1
▲	10	77227	(000000-	) Knob	1
▲	11	79217	(000000-	) Washer	1
▲	12	01516	(000000-	) Ring, Retaining, Ext, 0.59d, Basic	1
▲	13	77272	(000000-	) Washer, 0.60b 1.31d .10, Ss	1
▲	14	20833	(000000-	) Wheel, 3.0d 1.38w 0.50b	1
▲	15	02931	(000000-	) Nut, Hex, Lock, .50-13, NI, Ss	1
▲	16	81952	(000000-	) Screw, Hex, .50-13 X 3.00, Ss	1
	17	386252	(000000-	) Bracket Wldt, Pivot	1
	18	16816	(000000-	) Spring, Die, 1.00od 0.50id 2.00l	1
	19	07792	(000000-	) Nut, Hex, Flng, M10 X 1.5	1
	20	01686	(000000-	) Washer, Flt, .38 Ss	1
	21	04417	(000000-	) Screw, Hex, M10 X 1.5 X 60, Ss	1
	22	01686	(000000-	) Washer, Flt, .38 Ss	4
	23	08714	(000000-	) Nut, Hex, Lock, M10 X 1.5, NI, Ss	2
	24	12317	(000000-	) Screw, Hex, M10 X 1.5 X 30, Ss	2
	25	390880	(000000-	) Spacer, .41b .63d .13l, Ss 430pm	8
	26	364614	(000000-	) Bumper, Neo, 1.5d .63t .31h	1
	27	09010	(000000-	) Screw, Hex, M08 X 1.25 X 25, Ss	1

Fig. 32 - Squeegee Lift Group, Rear

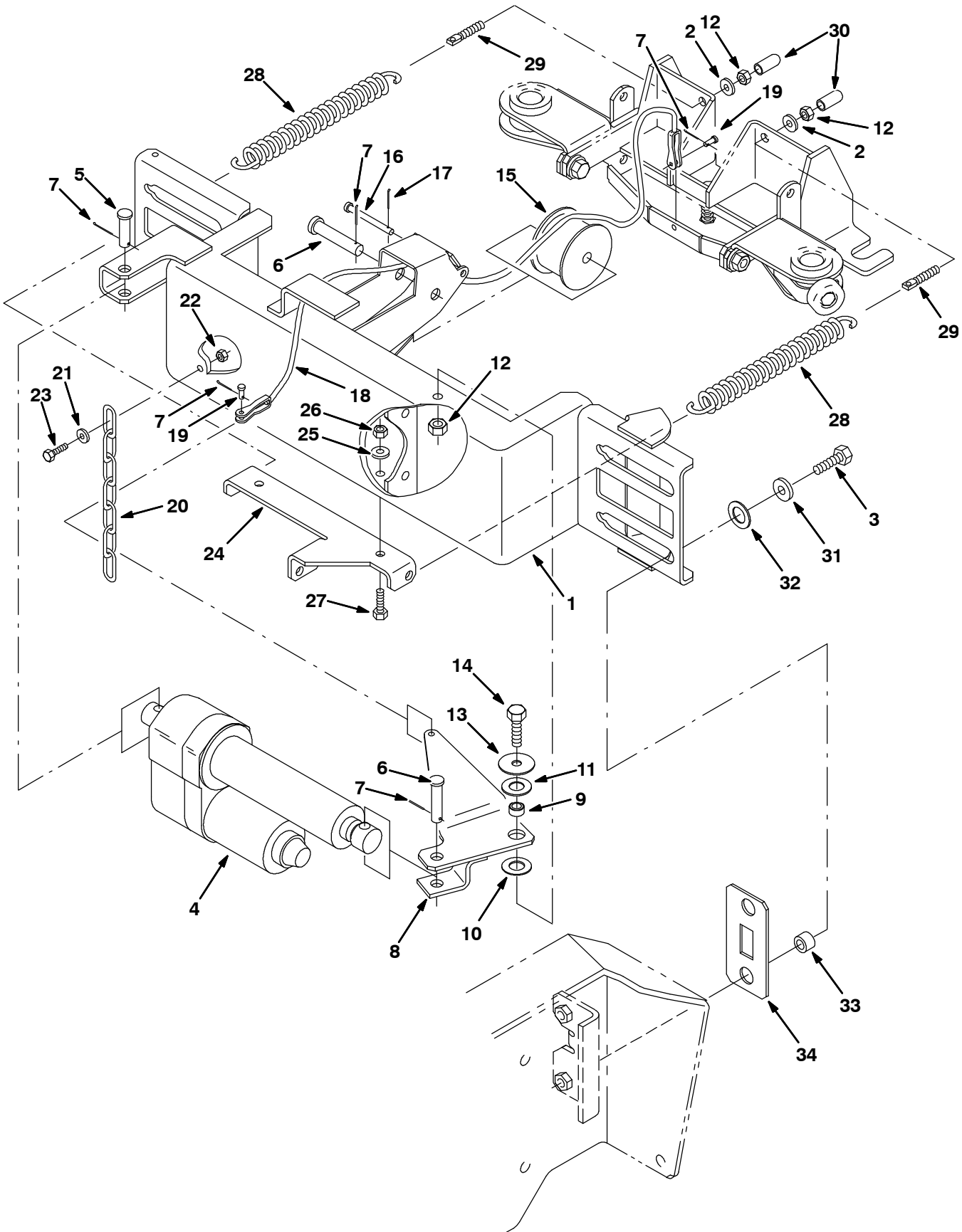


Fig. 32 - Squeegee Lift Group, Rear

Ref.	Tennant Part No.	Machine Serial Number	Description	Qty.
1	387426	(000000-	) Support Wldt	1
2	01686	(000000-	) Washer, Flt, .38 Ss	2
3	12317	(000000-	) Screw, Hex, M10 X 1.5 X 30, Ss	4
4	363151	(000000-	) Actuator, 36vdc, 02.1stroke 500lb	1
5	51534	(000000-	) Pin, Clevis, 0.50 D X 2.00l	1
6	06279	(000000-	) Pin, Clevis, 0.50 D X 2.50l	2
7	39005	(000000-	) Pin, Cotter, .094 X 0.75	5
8	386279	(000000-	) Arm Wldt	1
9	71658	(000000-	) Sleeve	1
10	64425	(000000-	) Washer, Thrust, 0.61b 1.25d .06, Fgl	1
11	07450	(000000-	) Bearing, Thrust, 0.66b 1.25d 0.06w	1
12	08714	(000000-	) Nut, Hex, Lock, M10 X 1.5, NI, Ss	3
13	33948	(000000-	) Washer, Flat	1
14	04417	(000000-	) Screw, Hex, M10 X 1.5 X 60, Ss	1
15	223054	(000000-	) Drum, Cable, Lift	1
16	04733-10	(000000-	) Pin, Clevis, 0.25 D X 2.44l	1
17	08178	(000000-	) Pin, Cotter, .062 X 0.75	1
18	71101	(000000-	) Cable, .12d, 13.3l, .2clevis/.2clevis	1
19	77488	(000000-	) Pin, Clevis, 0.19 D X 0.63l	2
20	43500	(000000-	) Chain, Coil, Str, #210, 09.0l 07 Link	1
21	01684	(000000-	) Washer, Flt, .25 Ss	1
22	08712	(000000-	) Nut, Hex, Lock, M06 X 1.0, NI, Ss	1
23	08716	(000000-	) Screw, Hex, M06 X 1.0 X 20, Ss	1
24	387432	(000000-	) Channel, Spring	1
25	01685	(000000-	) Washer, Flt, .31 Ss	2
26	08713	(000000-	) Nut, Hex, Lock, M08 X 1.25,NI, Ss	2
27	09010	(000000-	) Screw, Hex, M08 X 1.25 X 25, Ss	2
28	71100	(000000-	) Spring, Extn, 1.69od X 0.20wir, 9.5l	2
29	386847	(000000-	) Bolt, Eye, M10x1.5 X 2.0 X .28 Eye	2
30	20806	(000000-	) Cap, Neoprene Black	2
31	32492	(000000-	) Washer, Flat, .38 Std	4
32	53782	(000000-	) Bearing, Thrust, 0.75b 1.25d 0.06w	4
33	387429	(000000-	) Sleeve, P/M, 0.745d 0.438b 0.50l 430ss	4
34	387430	(000000-	) Plate, Slide	2

# STANDARD PARTS

Fig. 33 - Max Pro 1000 Rear Squeegee Group

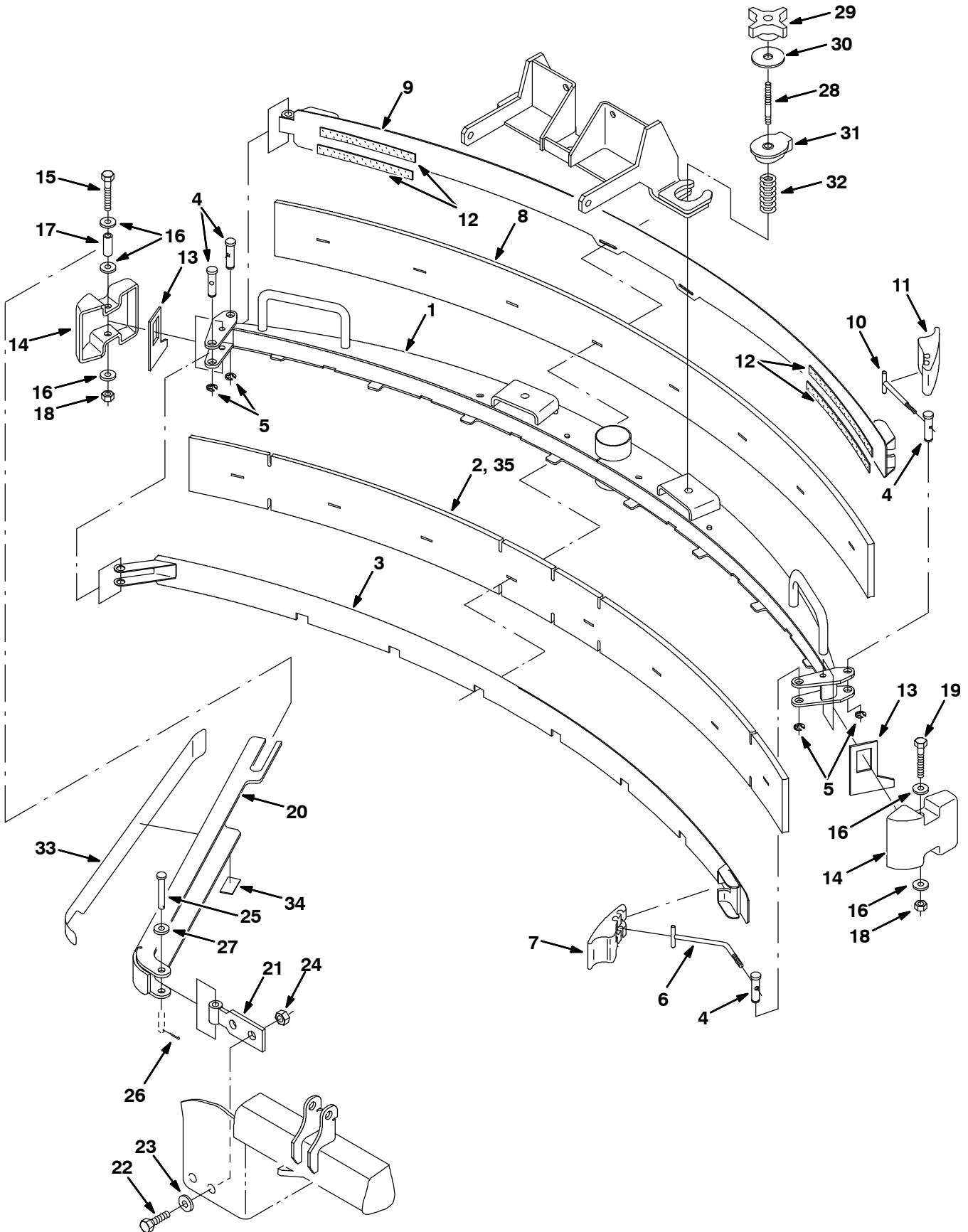




Fig. 33 - Max Pro 1000 Rear Squeegee Group

Ref.	Tennant Part No.	Machine Serial Number	Description	Qty.
▽	386860	(000000-	) Kit, Cl, Squeegee, Rear (Max Pro 1000)	1
▲	1 386290	(000000-	) Frame Wldt, Sqge	1
▲	2 386283	(000000-	) Blade, Sqge, Front	1
▲	3 386285	(000000-	) Clamp Wldt, Front	1
▲	4 21603	(000000-	) Pin	4
▲	5 24555	(000000-	) Ring, Retaining, Ext	4
▲	6 386298	(000000-	) Pin Wldt, Front	1
▲	7 21601	(000000-	) Cam	1
▲	8 386284	(000000-	) Blade, Sqge, Rear	1
▲	9 386286	(000000-	) Clamp Wldt, Rear	1
▲	10 21606	(000000-	) Bar Wldt, Retainer, Sqge, Rear	1
▲	11 21602	(000000-	) Cam, Rear	1
▲	12 03495	(000000-	) Strip, Nonslip	4
▲	13 83874	(000000-	) Gasket, Sqge	2
▲	14 386264	(000000-	) Bumper, Sqge	2
▲	15 386299	(000000-	) Screw, Hex, M08 X 1.25 X 100, Ss	1
▲	16 01685	(000000-	) Washer, Flt, .31 Ss	5
▲	17 222497	(000000-	) Sleeve	1
▲	18 08713	(000000-	) Nut, Hex, Lock, M08 X 1.25,NI, Ss	2
▲	19 09767	(000000-	) Screw, Hex, M08 X 1.25 X 70, Ss	1
▲	20 386266	(000000-	) Channel Wldt	1
▲	21 386234	(000000-	) Pivot Wldt, Guard	1
▲	22 12309	(000000-	) Screw, Hex, M12 X 1.75 X 30, Ss	2
▲	23 41619	(000000-	) Washer, Flt, .50 Ss	2
▲	24 09741	(000000-	) Nut, Hex, Lock, M12 X 1.75,NI, Ss	2
▲	25 1039190	(000000-	) Pin, Clevis, 0.25d X 2.00l	1
▲	26 08178	(000000-	) Pin, Cotter, .062 X 0.75	1
▲	27 01684	(000000-	) Washer, Flt, .25 Ss	2
▲	28 387237	(000000-	) Stud, .31-18 2.75l M8 X 1.25, Ss	2
▲	29 370100	(000000-	) Knob, 4-Prong W/.31-18, Insert	2
▲	30 04414	(000000-	) Washer, 0.53b 1.88d .12, Stl, Pl	2
▲	31 387433	(000000-	) Ring, Mtg, Sqge, .50l	2
▲	32 387500	(000000-	) Spring, Cmpr, .87od .042wir 2.0l	2
▲	33 387448	(000000-	) Bumper, Poly-E	1
▲	34 387438	(000000-	) Bumper, Poly-E	1
▲	35 387257	(000000-	) Blade, Sqge, Front, Mp1000, Tile	1

**Fig. 34 - Electrical Control Box Circuit Breaker Group**

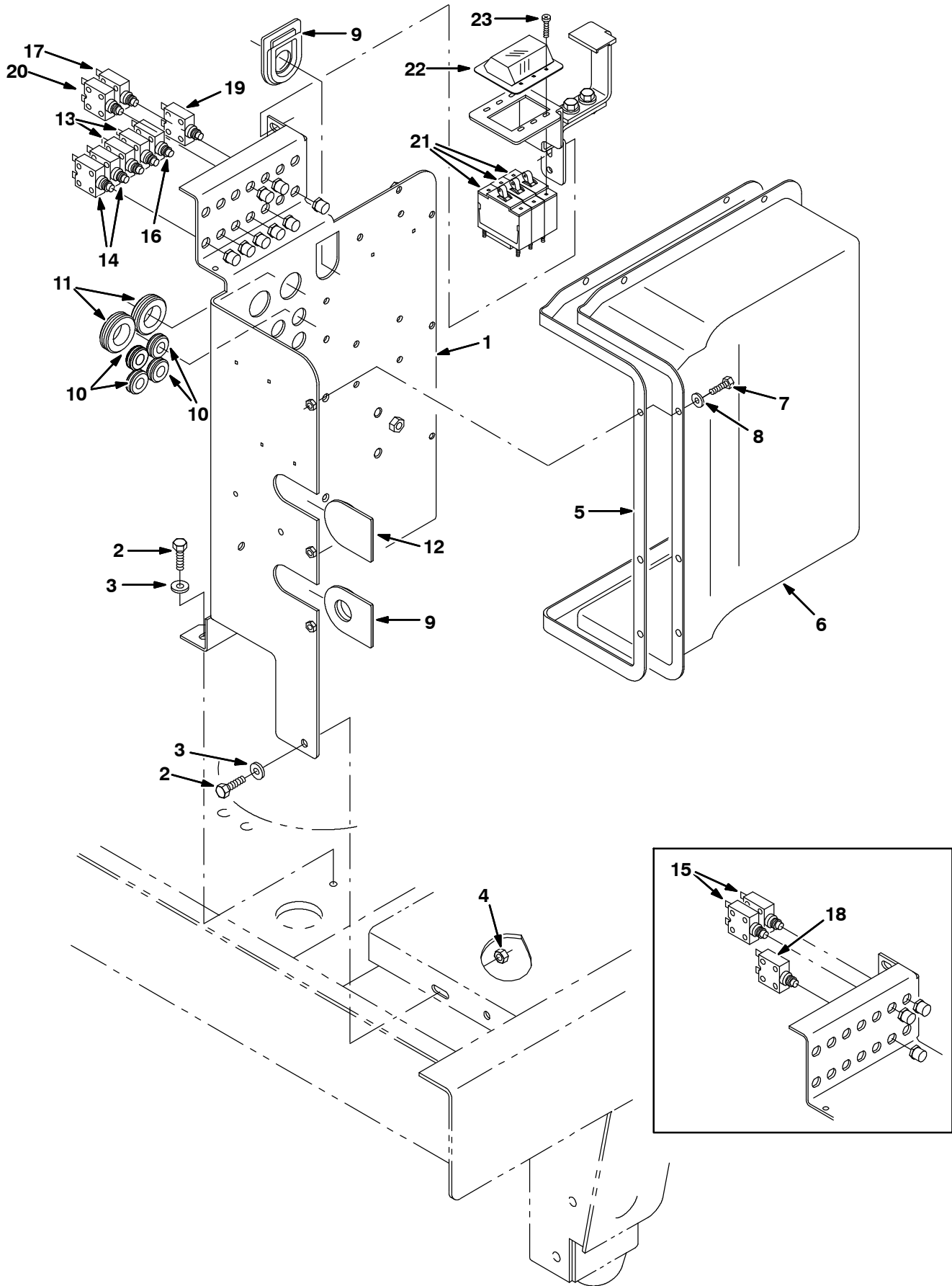


Fig. 34 - Electrical Control Box Circuit Breaker Group

Ref.	Tennant Part No.	Machine Serial Number	Description	Qty.
1	387453	(000000-	) Plate, Controlbox	1
2	16931	(000000-	) Screw, Hex, M08 X 1.25 X 20, 8.8	3
3	32491	(000000-	) Washer, Flt, .31 Std	3
4	08709	(000000-	) Nut, Hex, Lock, M08 X 1.25,NI	1
5	386127	(000000-	) Gasket, Cover, Controller	1
6	386128	(000000-	) Cover, Controlbox	1
7	09244	(000000-	) Screw, Hex, M05 X 0.8 X 16, 8.8	8
8	01683	(000000-	) Washer, Flt, #10 Ss	8
9	386563	(000000-	) Grommet, Rbr, 1.0b	2
10	10632-17	(000000-	) Grommet, Rbr, 0.50id, F/ 0.8h, .12matl	4
11	10632-14	(000000-	) Grommet, Rbr, 1.00id, F/ 1.4h, .12matl	2
12	386564	(000000-	) Plug, Rbr	1
13	383723	(000000-001705	) Circuitbreaker, 20.0a	2
13	383725	(001706-	) Circuitbreaker, 30.0a	2
14	383722	(000000-	) Circuitbreaker, 15.0a	2
15	383728	(000000-001705	) Circuitbreaker, 50.0a	2
16	383724	(000000-	) Circuitbreaker, 25.0a	1
17	383721	(000000-	) Circuitbreaker, 10.0a	1
18	383728	(000000-001705	) Circuitbreaker, 50.0a (Center Brush Option)	1
19	383727	(000000-	) Circuitbreaker, 40.0a (Power Steering Option)	1
20	383722	(000000-	) Circuitbreaker, 15.0a (Power Wand / Side Sweep Option)	1
21	387636	(001706-	) Circuitbreaker, 40a, (Max Pro™ 1200 Disk)	3
21	387636	(001706-	) Circuitbreaker, 40a, (Max Pro™ 1000 Disk W/Std Motor)	2
21	387637	(001706-	) Circuitbreaker, 45a, (Max Pro™ 1000 Disk W/Hd Motor)	2
21	387637	(001706-	) Circuitbreaker, 45a, (Max Pro™ 1000 Cylindrical)	2
21	387637	(001706-	) Circuitbreaker, 45a, (Max Pro™ 1200 Cylindrical)	2
22	387640	(001706-	) Boot, Protector, Circuitbreaker	1
23	19320	(001706-	) Screw, Pan, #06-32X0.38, 1	6

# STANDARD PARTS

Fig. 35 - Electrical Control Box Contactor Group (000000- 001705)

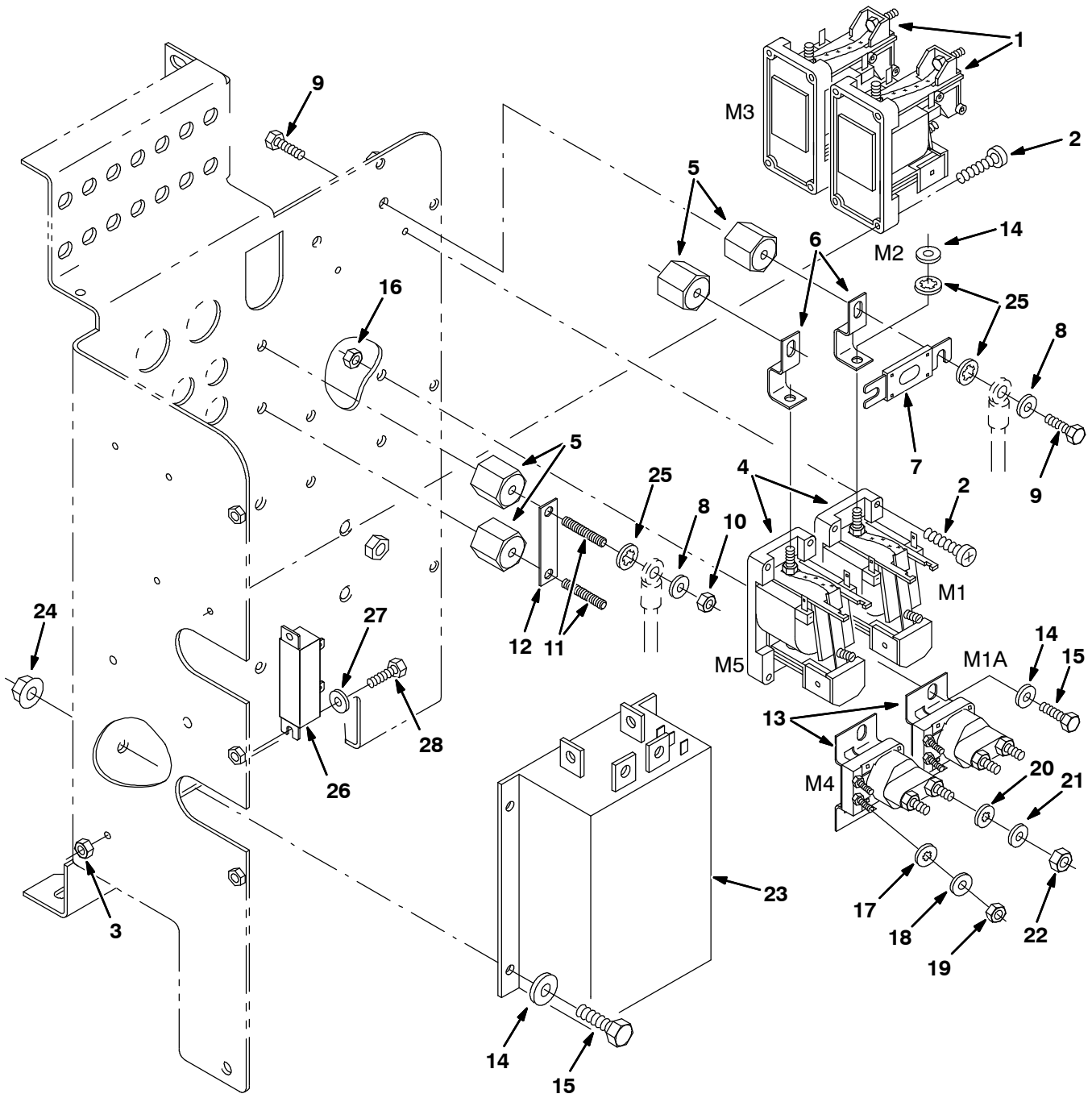


Fig. 35 - Electrical Control Box Contactor Group (000000- 001705)

Ref.	Tennant Part No.	Machine Serial Number	Description	Qty.
1	87482	(000000-001705 )	Contacto, 36vdc, Spdt	2
2	71026	(000000-001705 )	Screw, Pan, M04 X 0.7 X 30, 4.8	8
3	06549	(000000-001705 )	Nut, Hex, Lock, M05 X 0.8, NI	2
4	86375	(000000-001705 )	Contacto, 36vdc, [Spno]	2
5	76062	(000000-001705 )	Insulator, Panel	4
6	87507	(000000-001705 )	Busbar, Fuse, .6 0.6w 0.8h 2.0l	2
7	386807	(000000-001705 )	Fuse, 150amp	1
8	32490	(000000-001705 )	Washer, Flt, .25 Std	4
9	19314	(000000-001705 )	Screw, Hex, .25-20 X 0.38, 5	6
10	19312	(000000-001705 )	Nut, Hex, Std, .25-20	2
11	41702	(000000-001705 )	Rod, Thrd, Full, .25-20 01.5l	2
12	87483	(000000-001705 )	Busbar, .06 0.6w 2.5l 2/.28h	1
13	386810	(000000-001705 )	Contacto, 36vdc	2
14	32483	(000000-001705 )	Washer, Flt, .25 Sae	9
15	06942	(000000-001705 )	Screw, Hex, M06 X 1.0 X 16, 8.8	6
16	08708	(000000-001705 )	Nut, Hex, Lock, M06 X 1.0, NI	4
17	32980	(000000-001705 )	Washer, Lock, Int, #10	4
18	19066	(000000-001705 )	Washer, Flt, #10	4
19	01713	(000000-001705 )	Nut, Hex, Std, #10-32, 2	4
20	32984	(000000-001705 )	Washer, Lock, Int, .31	4
21	39349	(000000-001705 )	Washer, Flt, .31 Sae	4
22	01715	(000000-001705 )	Nut, Hex, Std, .31-24	4
23	386302	(000000-001705 )	Controller, Motor, 36vdc, 1204	1
24	07790	(000000-001705 )	Nut, Hex, Flng, M06 X 1.0	4
25	32982	(000000-001705 )	Washer, Lock, Int, .25	9
26	87349	(000000-001705 )	Resistor, 040.00ohm, 40watt	1
27	01683	(000000-001705 )	Washer, Flt, #10 Ss	2
28	12312	(000000-001705 )	Screw, Hex, M05 X 0.8 X 12, 8.8	2

**Fig. 36 - Electrical Control Box Contactor Group (001706- )**

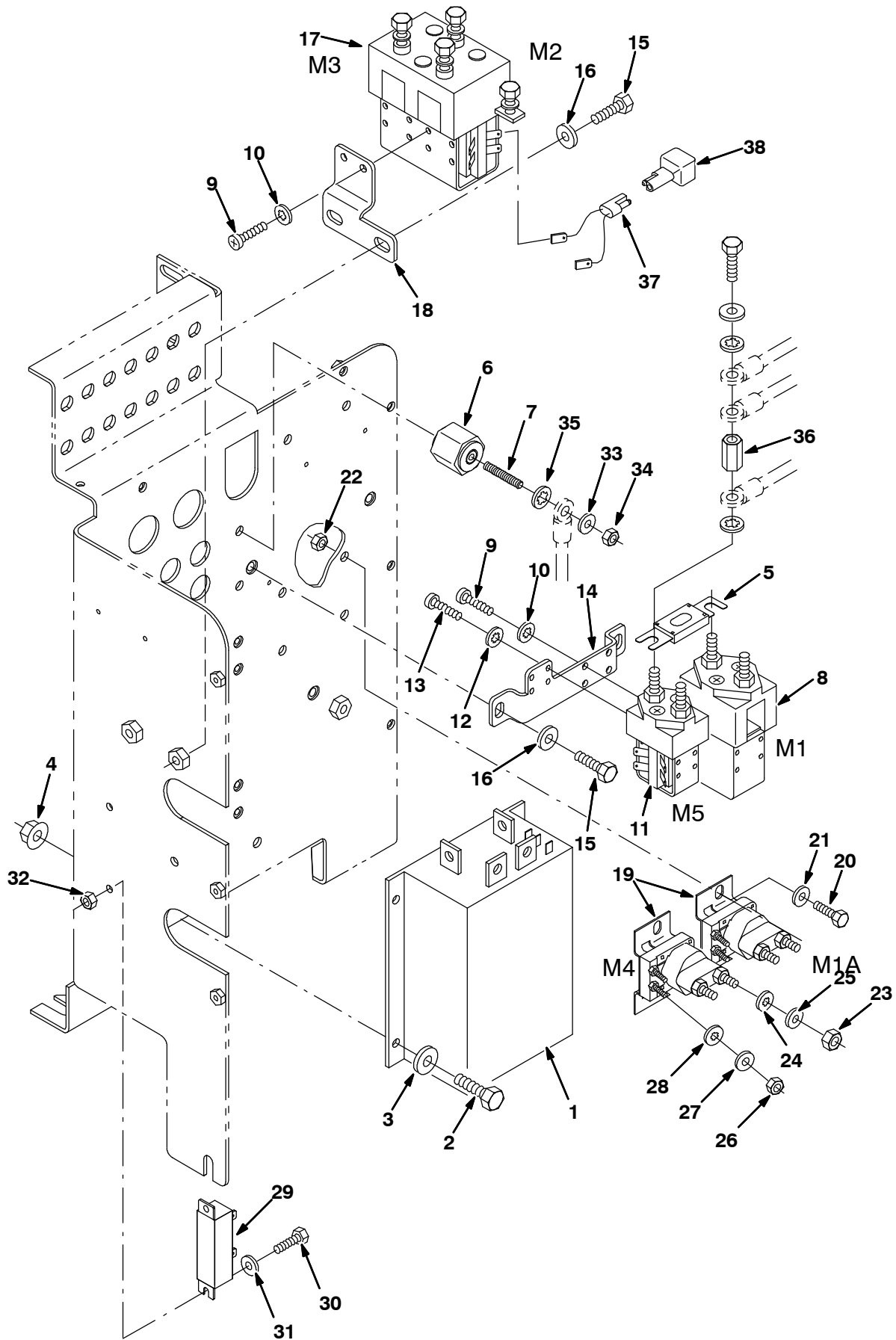


Fig. 36 - Eleactrical Control Box Contactor Group (001706- )

Ref.	Tennant Part No.	Machine Serial Number	Description	Qty.
1	386302	(001706-	) Controller, Motor, 36vdc, 1204	1
2	06942	(001706-	) Screw, Hex, M 6 X 1.0 X 16, 8.8	4
3	32483	(001706-	) Washer, Flat, 0.25 Sae	4
4	07790	(001706-	) Nut, Hex, Flng, M06 X 1.0	4
5	386807	(001706-	) Fuse, 150amp	1
6	76062	(001706-	) Insulator, Panel & Switchboard	1
7	41702	(001706-	) Rod, Thrd, Full, .25-20 01.5l	1
8	1007337	(001706-	) Contactor, 36vdc, 200a, Spst	1
9	06931	(001706-	) Screw, Pan, M 5 X 0.8 X 6, 4.8	6
10	07514	(001706-	) Washer, Lock, Int, #10, Ss	6
11	387639	(001706-	) Contactor, 36vdc, 100a, Spst	1
12	02938	(001706-	) Washer, Lock, Int, #08, Ss	4
13	06925	(001706-	) Screw, Pan, M 4 X 0.7 X 6, 4.8	4
14	1007344	(001706-	) Bracket, Mtg, Controller, Sgl	1
15	12274	(001706-	) Screw, Hex, M 6 X 1.0 X 20, NI	4
16	32491	(001706-	) Washer, Flat, 0.31 Std	4
17	1007349	(001706-	) Contactor, 36vdc, 200a, Dpdt	1
18	1007353	(001706-	) Bracket, Mtg, Relay	1
19	386810	(001706-	) Relay, 36vdc, 100a, Sp N/O [White]	2
20	06942	(001706-	) Screw, Hex, M 6 X 1.0 X 16, 8.8	4
21	32483	(001706-	) Washer, Flat, 0.25 Sae	4
22	08708	(001706-	) Nut, Hex, Lock, M 6 X 1.0, NI	4
23	01715	(001706-	) Nut, Hex, Std, .31-24	4
24	32984	(001706-	) Washer, Lock, Int, .31	4
25	39349	(001706-	) Washer, Flat, 0.31 Sae	4
26	01713	(001706-	) Nut, Hex, Std, #10-32, 2	4
27	19066	(001706-	) Washer, Flt, #10	4
28	32980	(001706-	) Washer, Lock, Int, #10	4
29	87349	(001706-	) Resistor, 040.00 Ohm, 40watt	1
30	12312	(001706-	) Screw, Hex, M 5 X 0.8 X 12, 8.8	2
31	01683	(001706-	) Washer, Flat, #10 Ss	2
32	06549	(001706-	) Nut, Hex, Lock, M 5 X 0.8, NI	2
33	32490	(001706-	) Washer, Flat, 0.25 Std	1
34	19312	(001706-	) Nut, Hex, Std, .25-20	1
35	32982	(001706-	) Washer, Lock, Int, .25	1
36	387648	(001706-	) Nut, Hex, Cplg, M08X1.25	1
37	370156	(001706-	) Harness, Switch, Key, Diode	2
38	222290	(001706-	) Diode, Ele, Plug	2

Fig. 37 - Electrical Control Box Wires Group (000000- 001705)

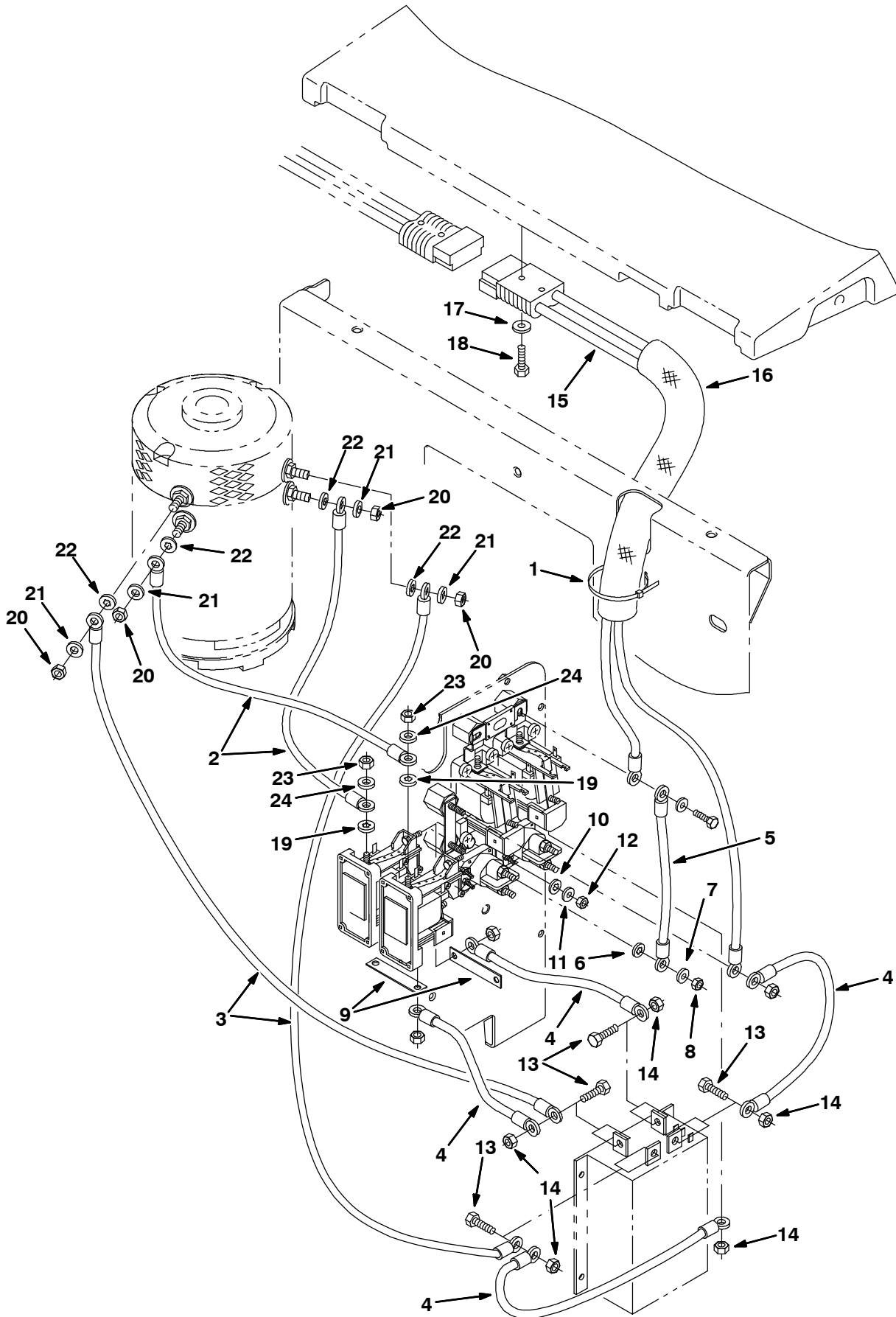




Fig. 37 - Electrical Control Box Wires Group (000000- 001705)

Ref.	Tennant Part No.	Machine Serial Number	Description	Qty.
1	32815	(000000-001705 )	Tie, Cable, Nyl, 28.5l .50w 8.0 Max D	4
2	71529	(000000-001705 )	Wire, 04ga 32.0l Blk .31ring /.31ring	1
3	386804	(000000-001705 )	Wire Assy, 02ga 27.0l Blk .34h /.34h	2
4	86393	(000000-001705 )	Wire, 04ga 09.0l Blk .34ring /.28ring	4
5	15846	(000000-001705 )	Wire, 06ga 11.0l Blk .34ring /.28ring	1
6	32984	(000000-001705 )	Washer, Lock, Int, .31	4
7	39348	(000000-001705 )	Washer, Flat, 1.50 Std Hard	4
8	01715	(000000-001705 )	Nut, Hex, Std, .31-24	4
9	87483	(000000-001705 )	Busbar, .06 0.6w 2.5l 2/.28h	2
10	07514	(000000-001705 )	Washer, Lock, Int, #10, Ss	4
11	19066	(000000-001705 )	Washer, Flt, #10	4
12	01713	(000000-001705 )	Nut, Hex, Std, #10-32, 2	4
13	16931	(000000-001705 )	Screw, Hex, M08 X 1.25 X 20, 8.8	4
14	08709	(000000-001705 )	Nut, Hex, Lock, M08 X 1.25, NI	4
15	386610	(000000-001705 )	Harness, Battery, Connecting	1
16	31647	(000000-001705 )	Sleeve, Nyl, #15 14.0l	1
17	01684	(000000-001705 )	Washer, Flt, .25 Ss	2
18	33930	(000000-001705 )	Screw, Hex, M06 X 1.0 X 40, Ss	2
19	32982	(000000-001705 )	Washer, Lock, Int, .25	2
20	39311	(000000-001705 )	Nut, Hex, Std, M08 X 1.25	4
21	32490	(000000-001705 )	Washer, Flt, .25 Std	4
22	32988	(000000-001705 )	Washer, Lock, Int, .38	2
23	41359	(000000-001705 )	Nut, Hex, Std, M06 X 1.0	2
24	32483	(000000-001705 )	Washer, Flt, .25 Sae	4

Fig. 38 - Electrical Control Box Wires Group (001706- )

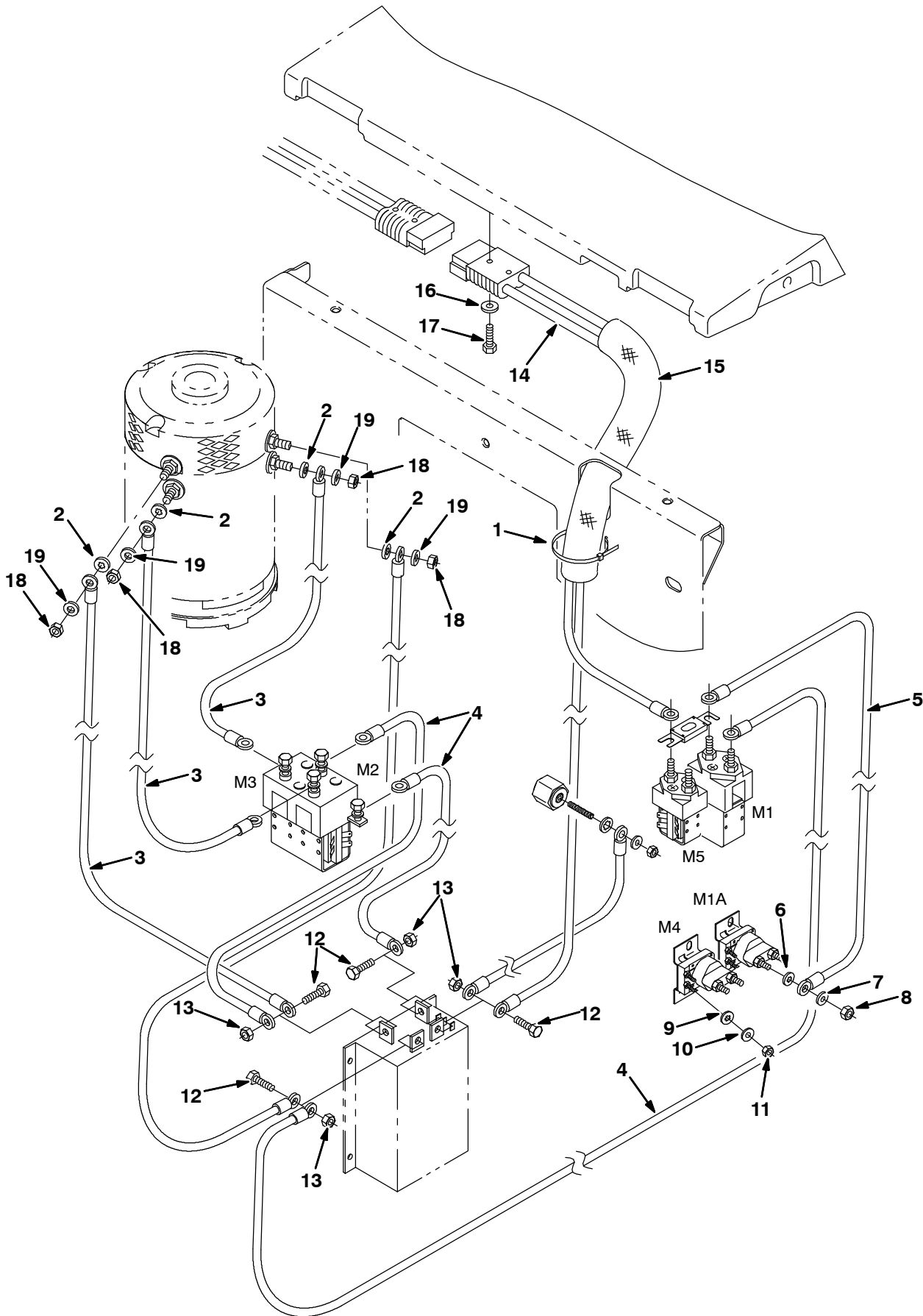


Fig. 38 - Electrical Control Box Wires Group (001706- )

Ref.	Tennant Part No.	Machine Serial Number	Description	Qty.
1	32815	(001706-	) Tie, Cable, Nyl, 28.5l .50w 8.0 Max D	4
2	32988	(001706-	) Washer, Lock, Int, .38	2
3	386804	(001706-	) Wire Assy, 02ga 27.0l Blk .34h /.34h	4
4	387641	(001706-	) Wire Assy, 02ga, 10.0l, Blk	4
5	63740	(001706-	) Wire, 06Ga 09.0L Blk .34 Ring/.34 Ring	1
6	32984	(001706-	) Washer, Lock, Int, .31	4
7	39348	(001706-	) Washer, Flat, 1.50 Std Hard	4
8	01715	(001706-	) Nut, Hex, Std, .31-24	4
9	07514	(001706-	) Washer, Lock, Int, #10, Ss	4
10	19066	(001706-	) Washer, Flt, #10	4
11	01713	(001706-	) Nut, Hex, Std, #10-32, 2	4
12	16931	(001706-	) Screw, Hex, M 8 X 1.25 X 20, 8.8	4
13	08709	(001706-	) Nut, Hex, Lock, M 8 X 1.25 NI	4
14	386610	(001706-	) Harness, Battery, Connecting	1
15	31647	(001706-	) Sleeve, Nyl, #15 14.0l	1
16	01684	(001706-	) Washer, Flat, 0.25 Ss	2
17	33930	(001706-	) Screw, Hex, M 6 X 1.0 X 40, Ss	2
18	39311	(001706-	) Nut, Hex, Std, M08 X 1.25	4
19	32490	(001706-	) Washer, Flat, 0.25 Std	4

Fig. 39 - Electrical Circuit Board Group

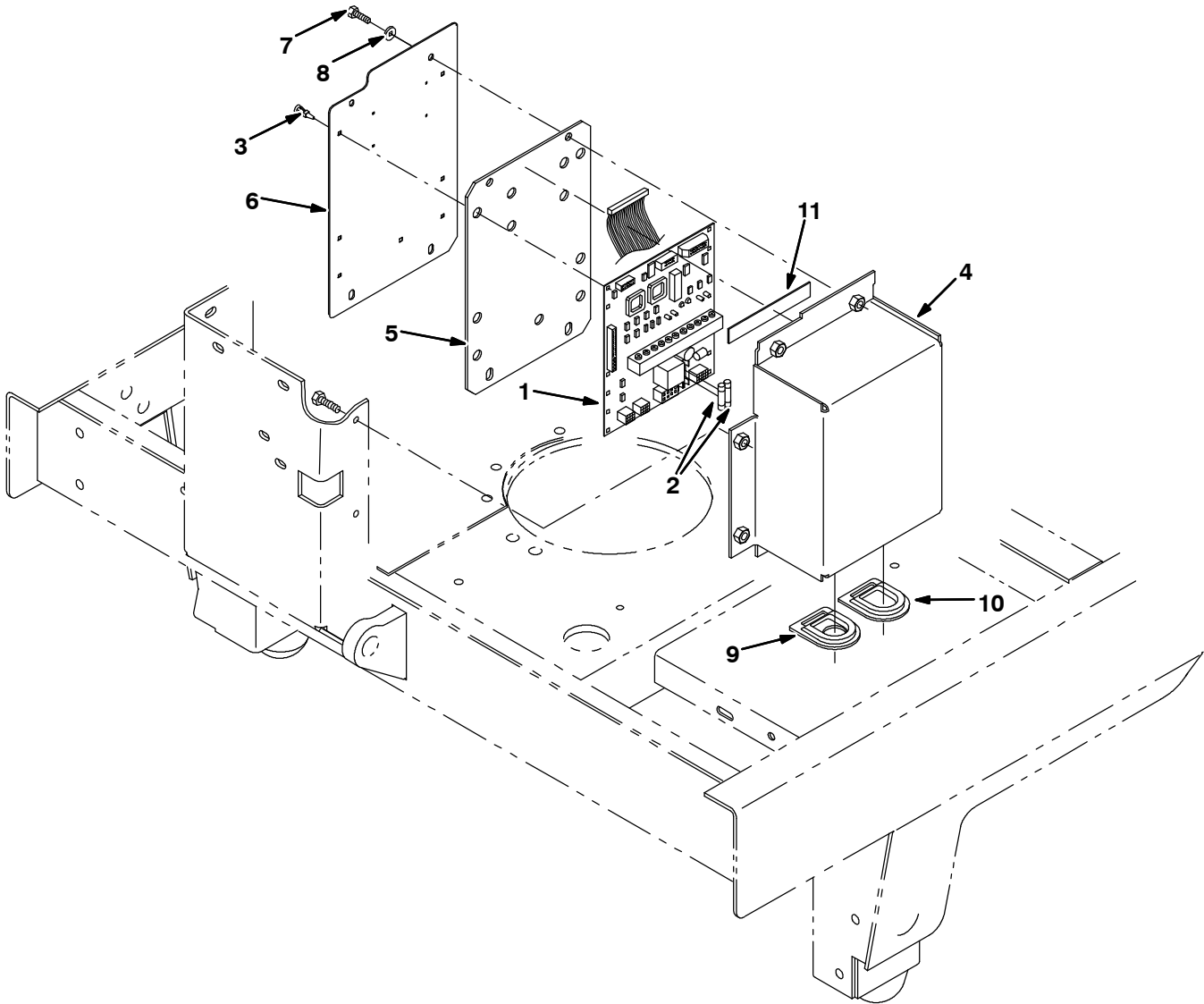
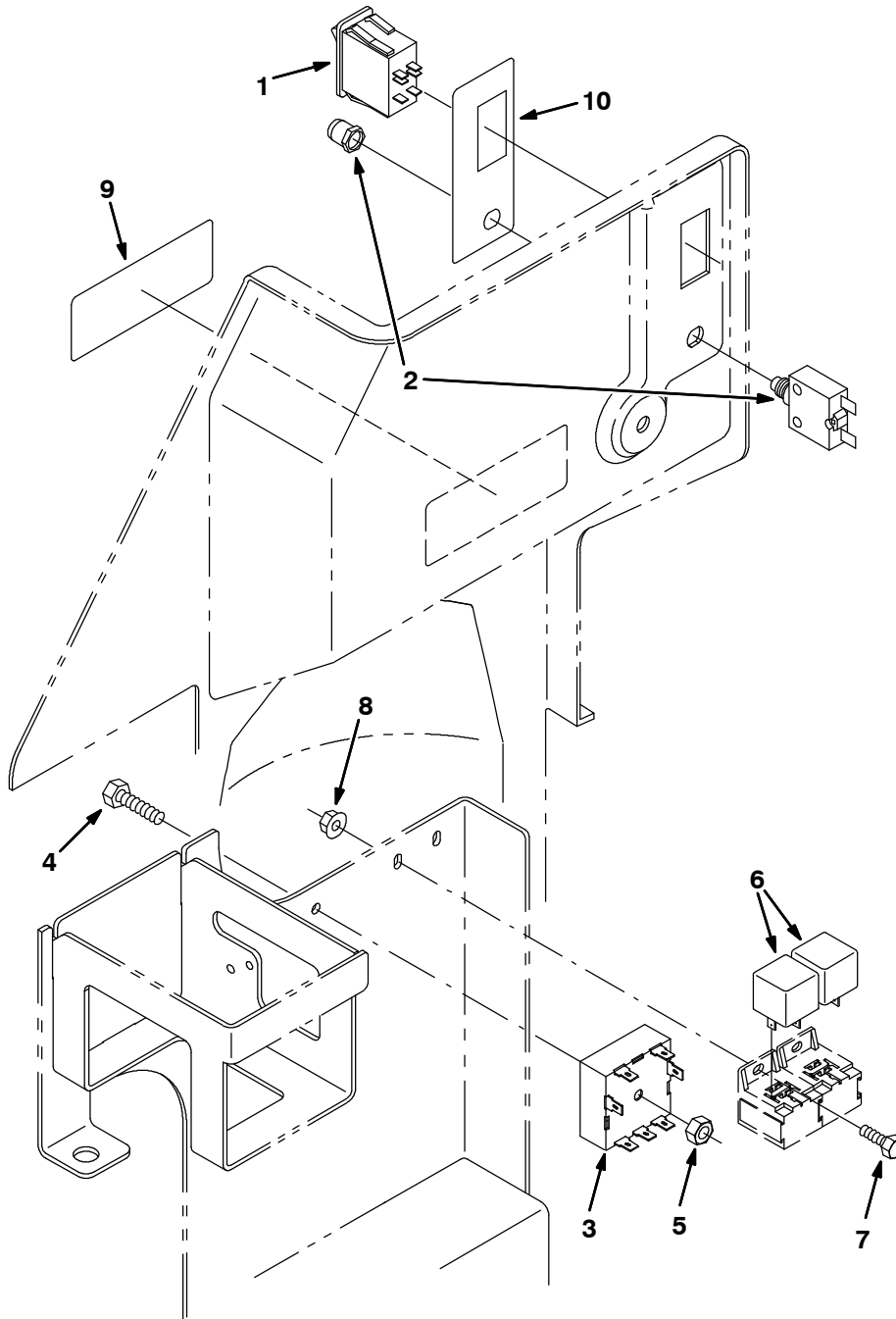


Fig. 39 - Electrical Circuit Board Group

	Ref.	Tenant Part No.	Machine Serial Number	Description	Qty.
▽	1	374204	(000000-	) Circuitboard, Assy, [7300/8300]	1
▲	2	603103000	(000000-	) Fuse, .20A, 3Ag, Slo-Blo	2
	3	15840	(000000-	) Pin, Prong	7
	4	386922	(000000-	) Box, Circuitboard	1
	5	386921	(000000-	) Gasket	1
	6	386920	(000000-	) Cover	1
	7	06942	(000000-	) Screw, Hex, M06 X 1.0 X 16, 8.8	6
	8	32483	(000000-	) Washer, Flt, .25 Sae	4
	9	386563	(000000-	) Grommet, Rbr, 1.0b	1
	10	386564	(000000-	) Plug, Rbr	1
	11	387529	(000000-	) Tape, Foam	1

# STANDARD PARTS

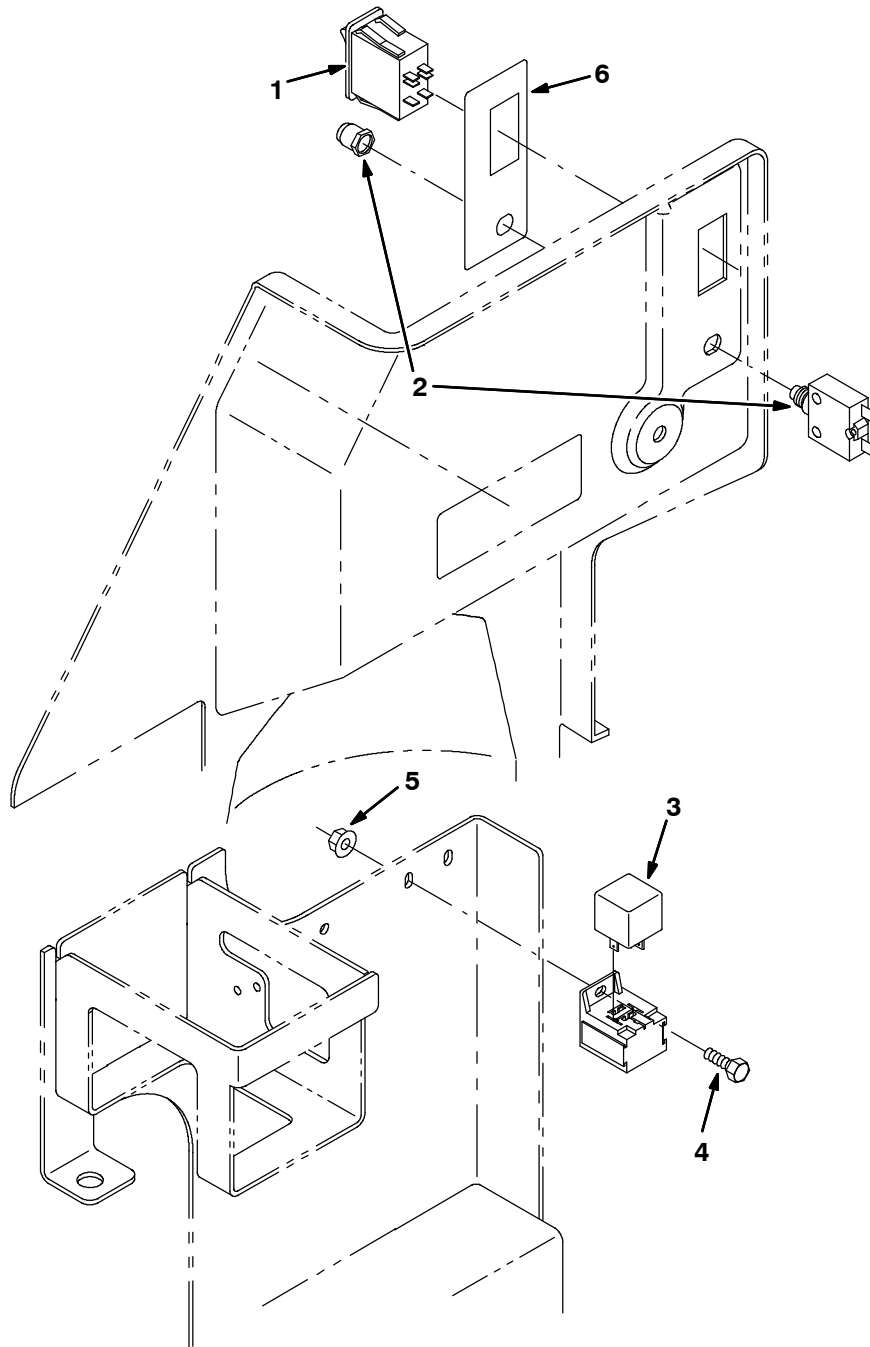
Fig. 40 - Electrical Group, FaST (000000-003746)



354204- 7300

Ref.	Tennant Part No.	Machine Serial Number	Description	Qty.
1	377084	(000000-003746 )	Switch, Rocker, 36vdc 05a Progressive	1
2	383721	(000000-003746 )	Circuitbreaker, 10.0a	1
3	1028580	(000000-003746 )	Timer, 9-41vdc, Recycling	1
4	06945	(000000-003746 )	Screw, Hex, M6 X 1.0 X 30, 8.8	1
5	08708	(000000-003746 )	Nut, Hex, Lock, M 6 X 1.0, NI	1
6	398526	(000000-003746 )	Relay, 36vdc, 05a, Spdt N/O [Greenwich]	2
7	09244	(000000-003746 )	Screw, Hex, M5 X 0.8 X 16, 8.8	2
8	07789	(000000-003746 )	Nut, Hex, Flng, M5 X 0.8	2
9	1005416	(000000-003746 )	Label, Fast	1
10	1011276	(000000-003746 )	Label, Switch, Fast	1

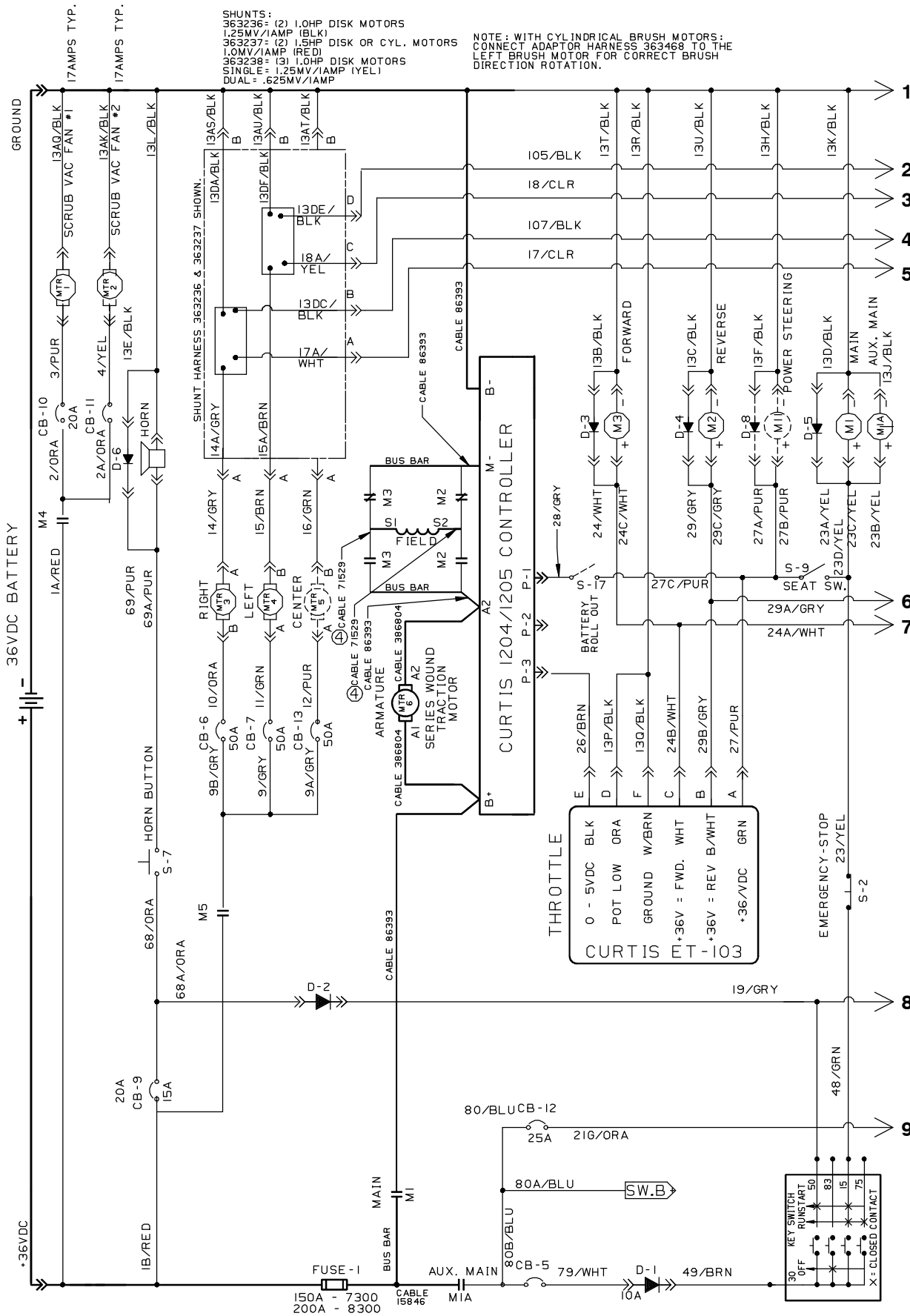
Fig. 41 - Electrical Group, FaST (003747- )



354204- 7300

Ref.	Tenant Part No.	Machine Serial Number	Description	Qty.
1	377084	(003747- )	Switch, Rocker, Prgrsv	1
2	383720	(003747- )	Circuitbreaker, 05.0A, Resetable	1
3	398526	(003747- )	Relay, 36Vdc, 005A, Spdt No [Greenwich]	1
4	12312	(003747- )	Screw, Hex, M5 X 0.80 X 12, 8.8	1
5	19066	(003747- )	Washer, Flat, 10	1
6	1011276	(003747- )	Label, Switch [7300/8300 FaST]	1

Fig. 42 - Electrical Schematic (000000-003746)



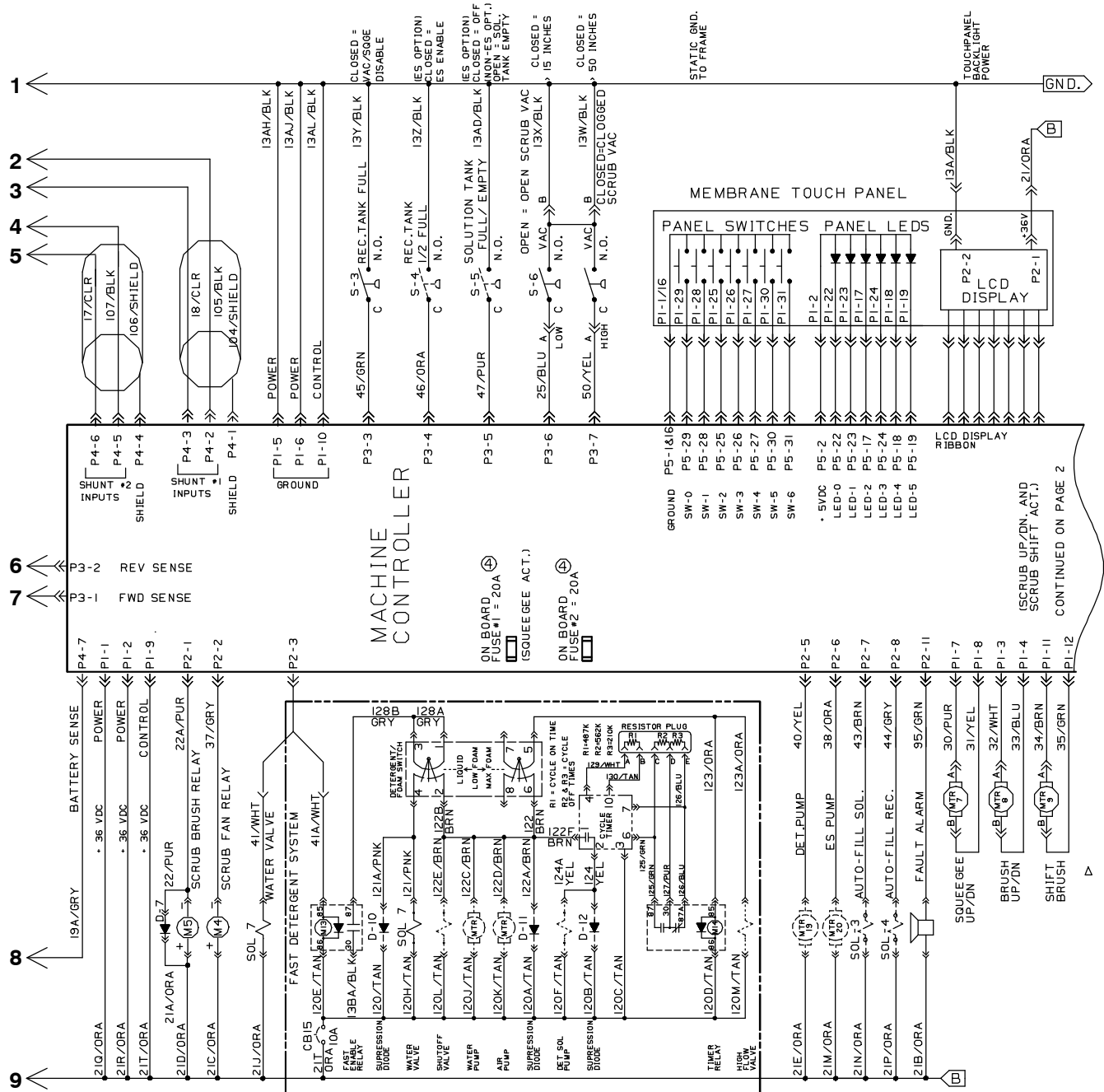
SHUNTS:  
 363236: (2) 1.0HP DISK MOTORS  
 1.25MV/IAMP (BLK)  
 363237: (2) 1.5HP DISK OR CYL. MOTORS  
 1.0MV/IAMP (RED)  
 363238: (3) 1.0HP DISK MOTORS  
 95IN/6E: 1.25MV/IAMP (YEL)  
 DUAL: 6.25MV/IAMP

NOTE: WITH CYLINDRICAL BRUSH MOTORS;  
 CONNECT ADAPTOR HARNESS 363468 TO THE  
 LEFT BRUSH MOTOR FOR CORRECT BRUSH  
 DIRECTION ROTATION.

353346, 386300



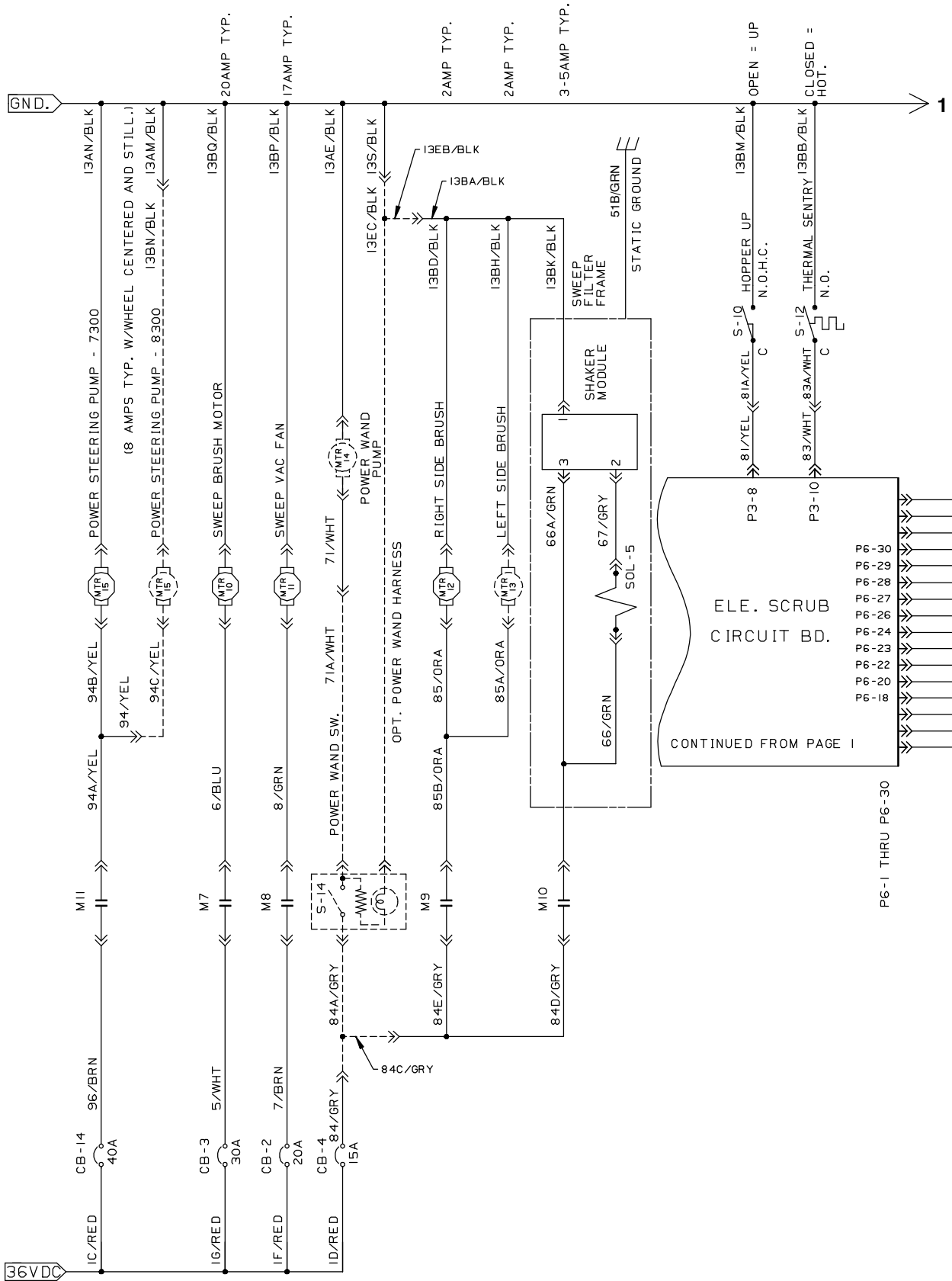
Fig. 42 - Electrical Schematic (00000-003746)



CB	CIRCUIT BREAKER	FU	FUSE
MTR	MOTOR	D	DIODE
P	CONNECTOR PIN	M	RELAY COIL
S	SWITCH	R	RESISTOR
ARM	ARMATURE	HM	HOURLMETER
N.O.	NORM. OPEN CONTACT	C	COMMON CONTACT
SV	HYD. SOLENOID VALVE	SOL.	ELE. MECH. VALVE

353346, 386300

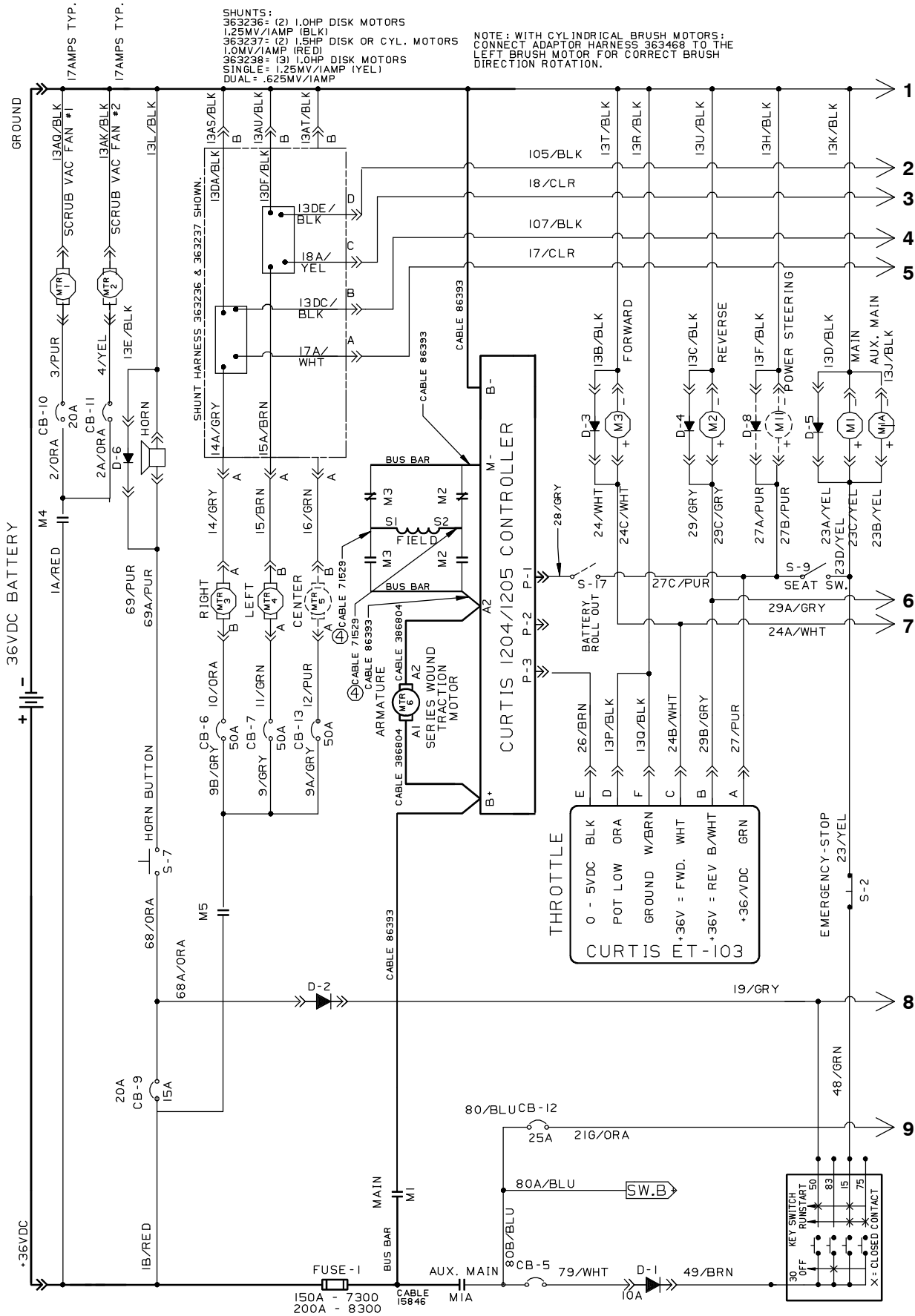
Fig. 42 - Electrical Schematic (000000-003746)



8300 ONLY OPT.

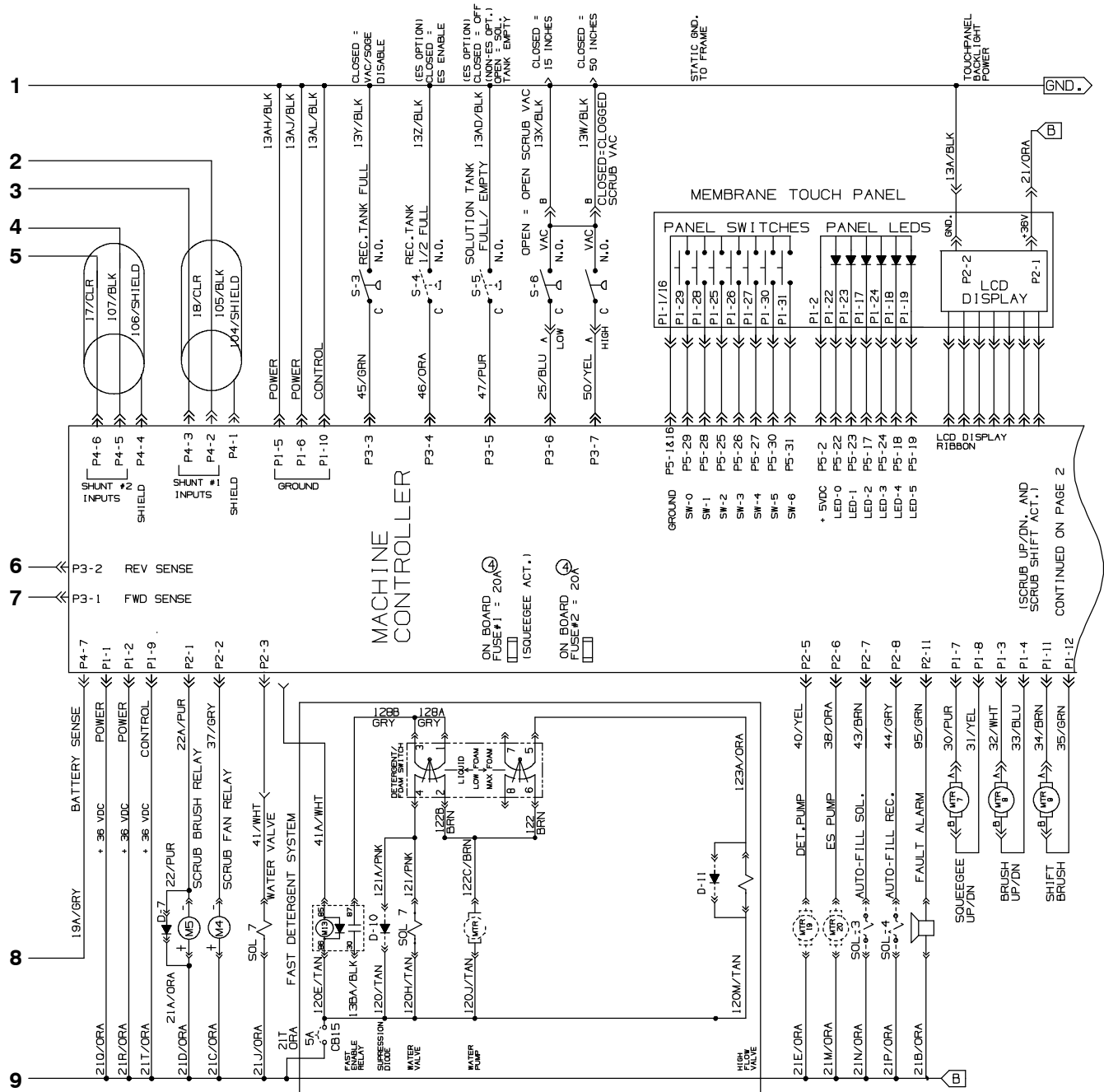


Fig. 43 - Electrical Schematic (003747- )



353346, 386300

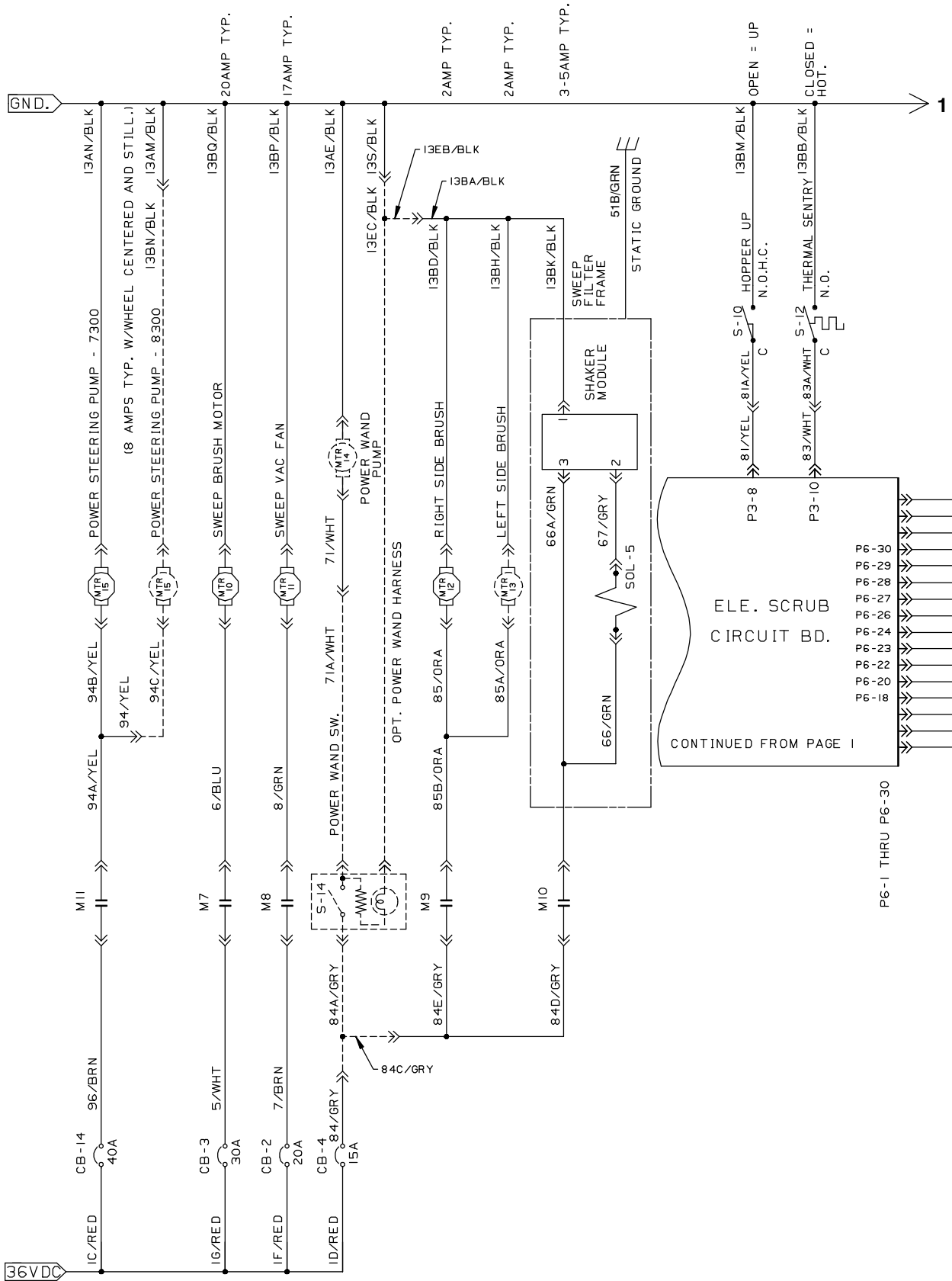
Fig. 43 - Electrical Schematic (003747- )



CB	CIRCUIT BREAKER	FU	FUSE
MTR	MOTOR	D	DIODE
P	CONNECTOR PIN	M	RELAY COIL
S	SWITCH	R	RESISTOR
ARM	ARMATURE	HM	HOURMETER
N.O.	NORM. OPEN CONTACT	C	COMMON CONTACT
SV	HYD. SOLENOID VALVE	SOL.	ELE. MECH. VALVE

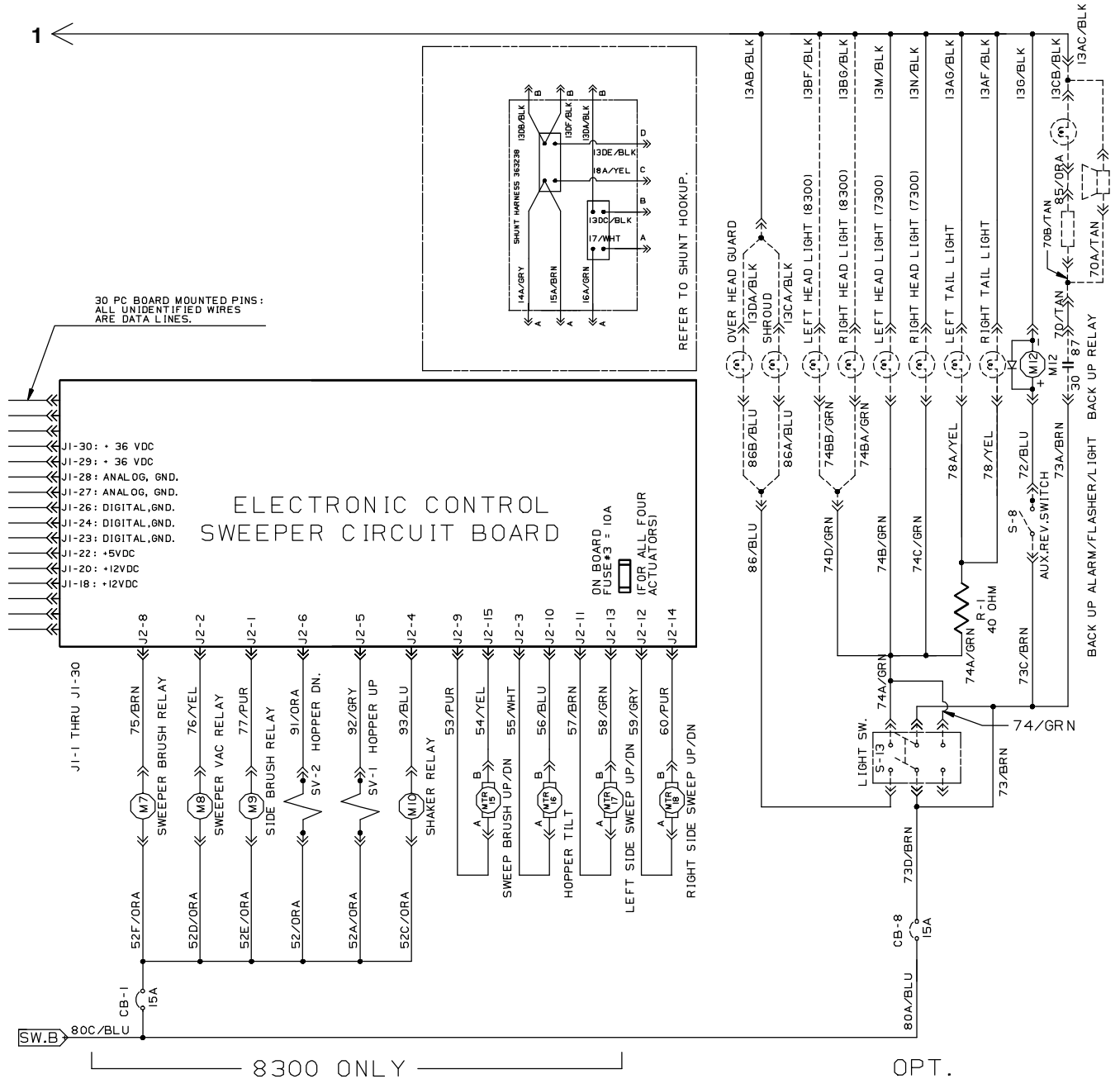
353346, 386300

Fig. 43 - Electrical Schematic (003747- )



8300 ONLY OPT.

Fig. 43 - Electrical Schematic (003747- )



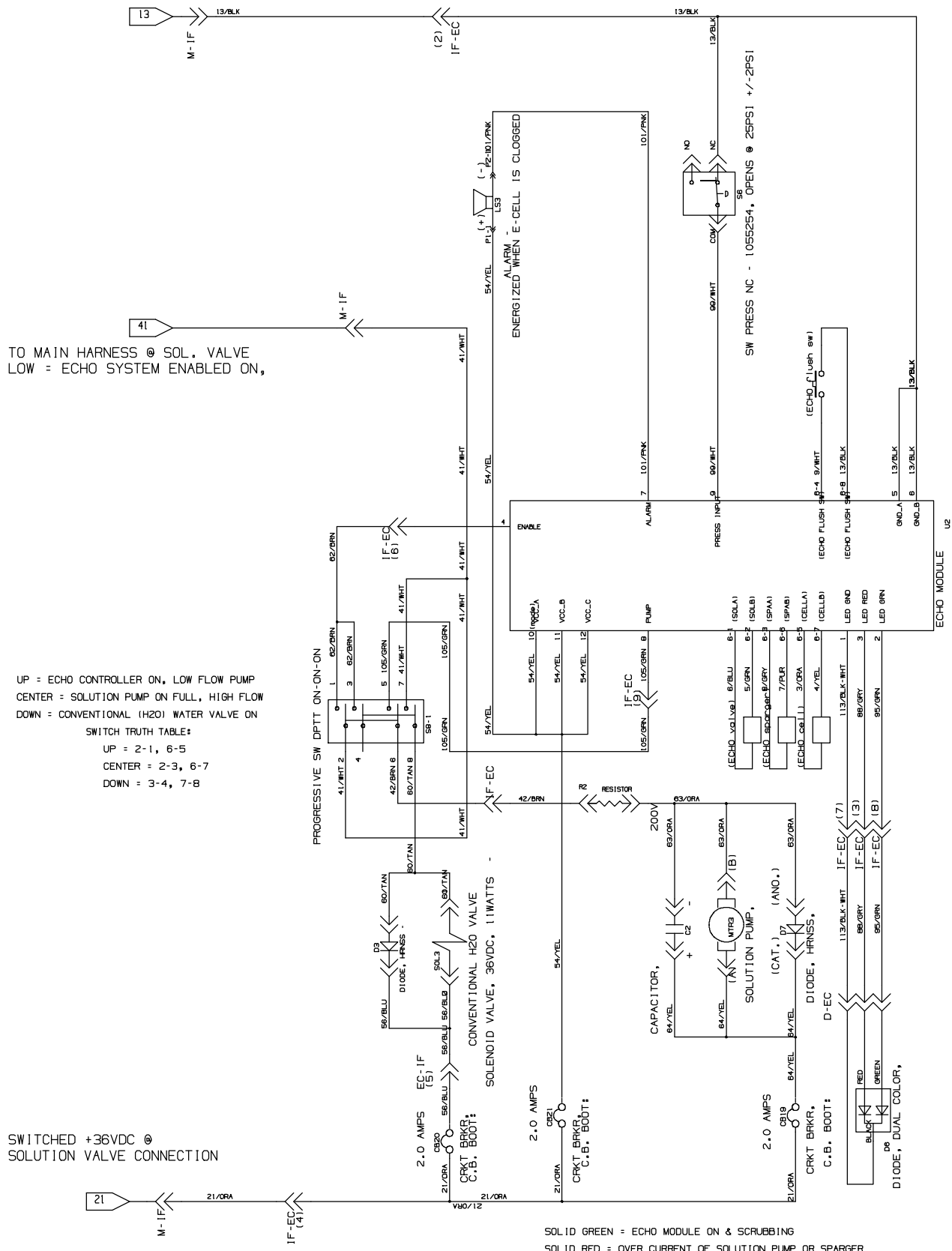
LEGEND

CB	CIRCUIT BREAKER	FU	FUSE
MTR	MOTOR	D	DIODE
P	CONNECTOR PIN	M	RELAY COIL
S	SWITCH	R	RESISTOR
ARM	ARMATURE	HM	HOURMETER
N.O.	NORM. OPEN CONTACT	C	COMMON CONTACT

353346, 386300

## Fig. 43 - Electrical Schematic (003747- )

GROUND @ NEG. STANDOFF



TO MAIN HARNESS @ SOL. VALVE LOW = ECHO SYSTEM ENABLED ON,

UP = ECHO CONTROLLER ON, LOW FLOW PUMP  
 CENTER = SOLUTION PUMP ON FULL, HIGH FLOW  
 DOWN = CONVENTIONAL (H2O) WATER VALVE ON

SWITCH TRUTH TABLE:  
 UP = 2-1, 6-5  
 CENTER = 2-3, 6-7  
 DOWN = 3-4, 7-8

SWITCHED +36VDC @ SOLUTION VALVE CONNECTION

SOLID GREEN = ECHO MODULE ON & SCRUBBING  
 SOLID RED = OVER CURRENT OF SOLUTION PUMP OR SPARGER  
 FLASHING RED = PRESSURE SWITCH CLOSED "E-CELL IS SCALED UP"

353346, 386300



Fig. 44 - Electrical Wire Harness Group, Main

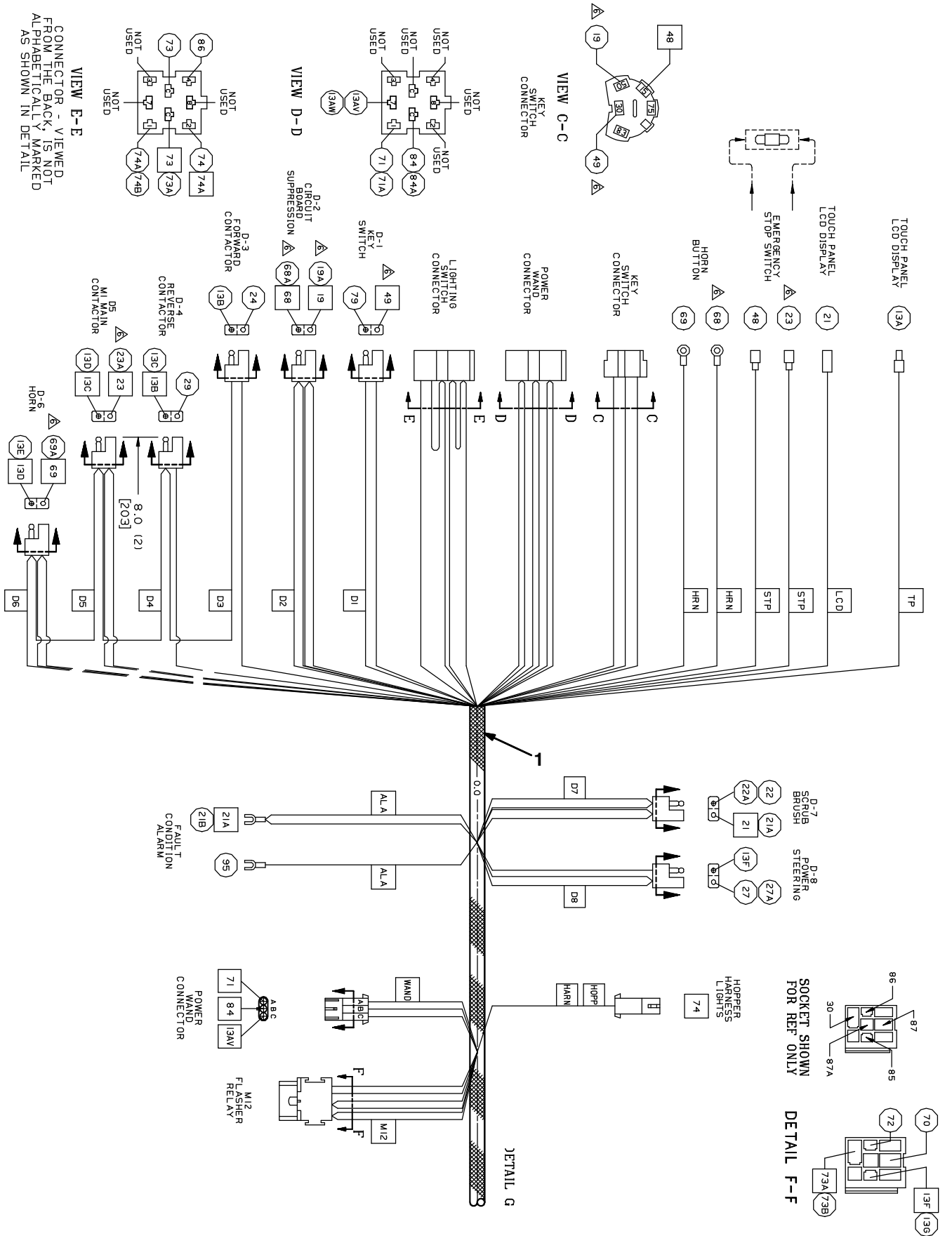
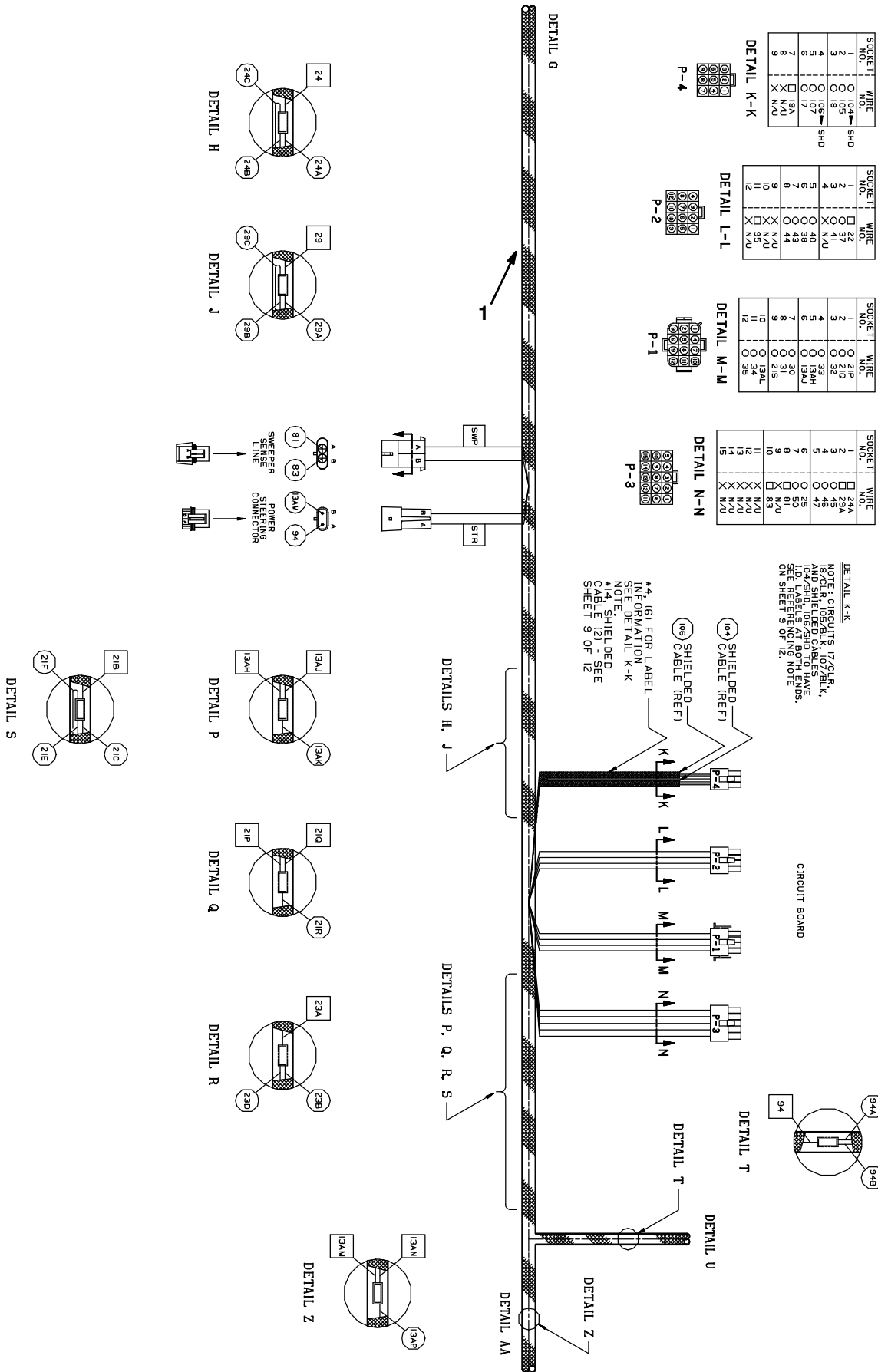


Fig. 44 - Electrical Wire Harness Group, Main



DETAIL K-K

SOCKET NO.	WIRE NO.	SHD
2	105	SHD
3	108	SHD
4	106	SHD
5	107	SHD
7	134	X
8	N/A	X
9	N/A	X

DETAIL L-L

SOCKET NO.	WIRE NO.	SHD
2	37	SHD
3	41	X
4	N/A	X
5	40	SHD
7	43	SHD
8	N/A	X
9	N/A	X
11	95	SHD
12	N/A	X

DETAIL M-M

SOCKET NO.	WIRE NO.	SHD
2	210	SHD
3	32	SHD
4	33	SHD
5	134H	SHD
7	30	SHD
8	215	SHD
9	134L	SHD
10	38	SHD
11	39	SHD
12	N/A	X

DETAIL N-N

SOCKET NO.	WIRE NO.	SHD
2	29A	SHD
3	45	SHD
4	45	SHD
5	25	SHD
6	50	SHD
7	81	SHD
8	82	SHD
10	83	SHD
11	N/A	X
12	N/A	X
13	N/A	X
14	N/A	X
15	N/A	X

NOTE: CIRCUITS 17/28/LK, 18/28/LK, 19/28/LK, 20/28/LK, 10/47/SHD, 106/SHD TO HAVE LID LABELS AT BOTH ENDS. ON SHEET 9 OF 12

\*4, (6) FOR LABEL INFORMATION SEE DETAIL K-K  
 \*401 SHIELDED CABLE (2) - SEE SHEET 9 OF 12

CIRCUIT BOARD

Fig. 44 - Electrical Wire Harness Group, Main

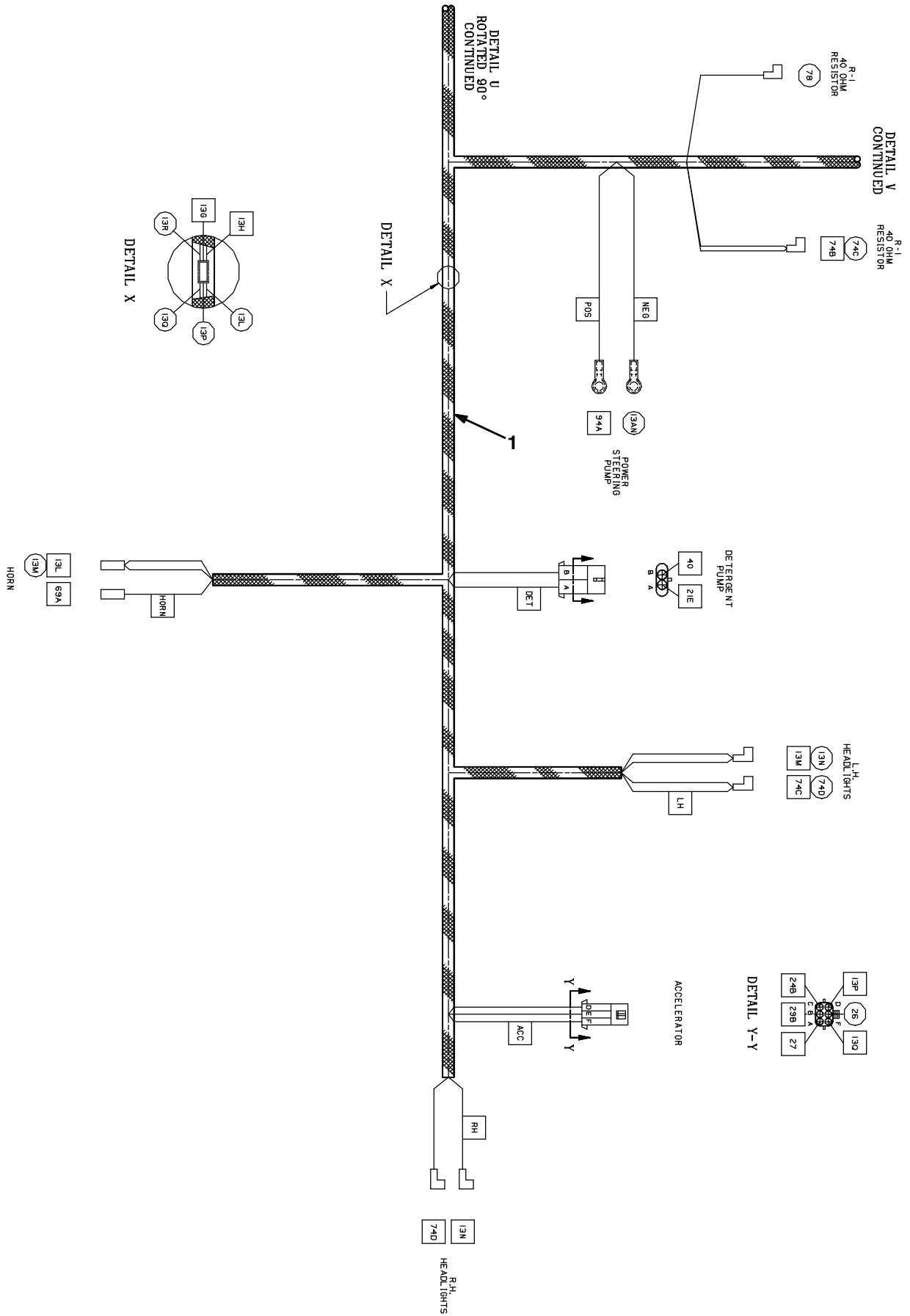


Fig. 44 - Electrical Wire Harness Group, Main

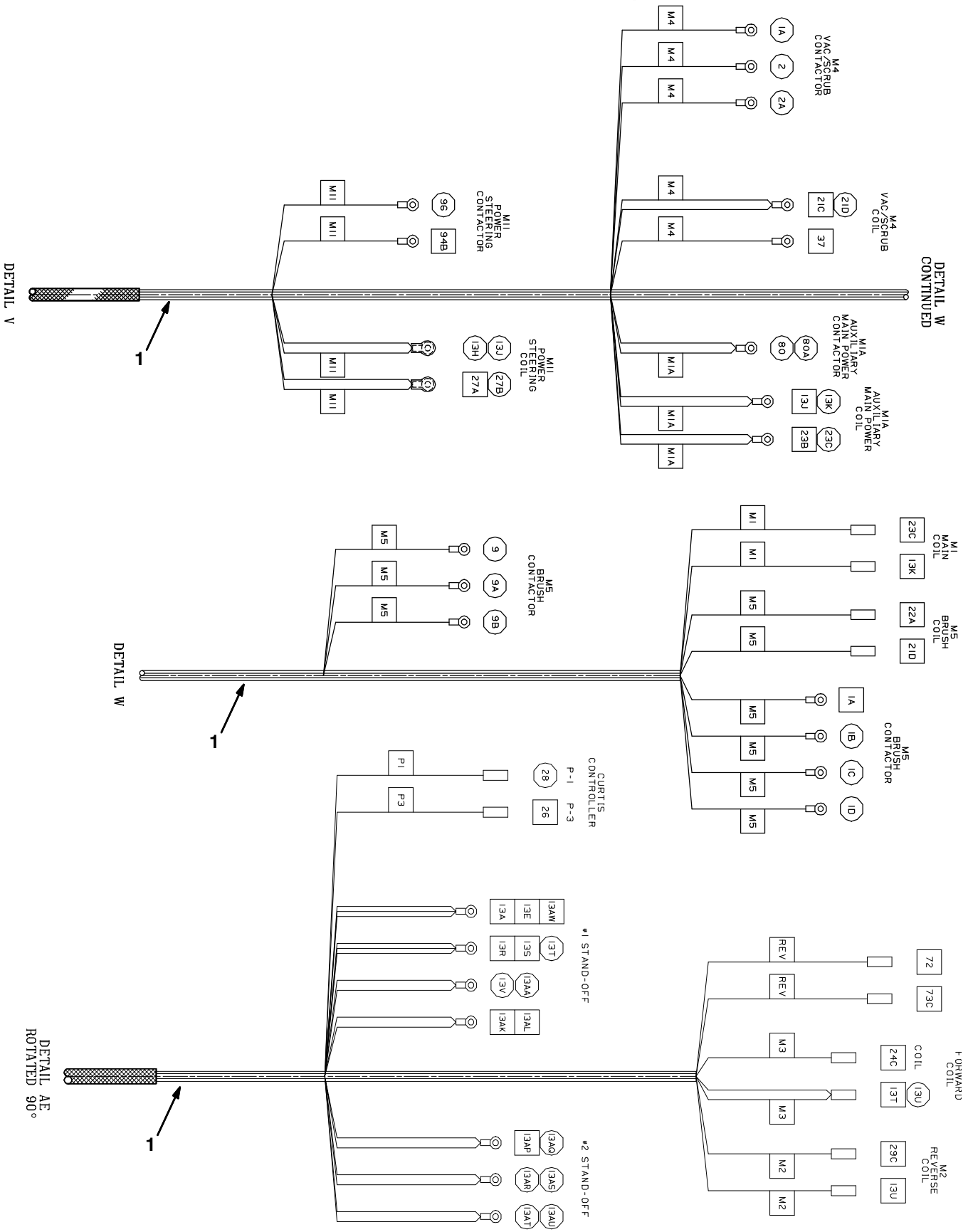


Fig. 44 - Electrical Wire Harness Group, Main

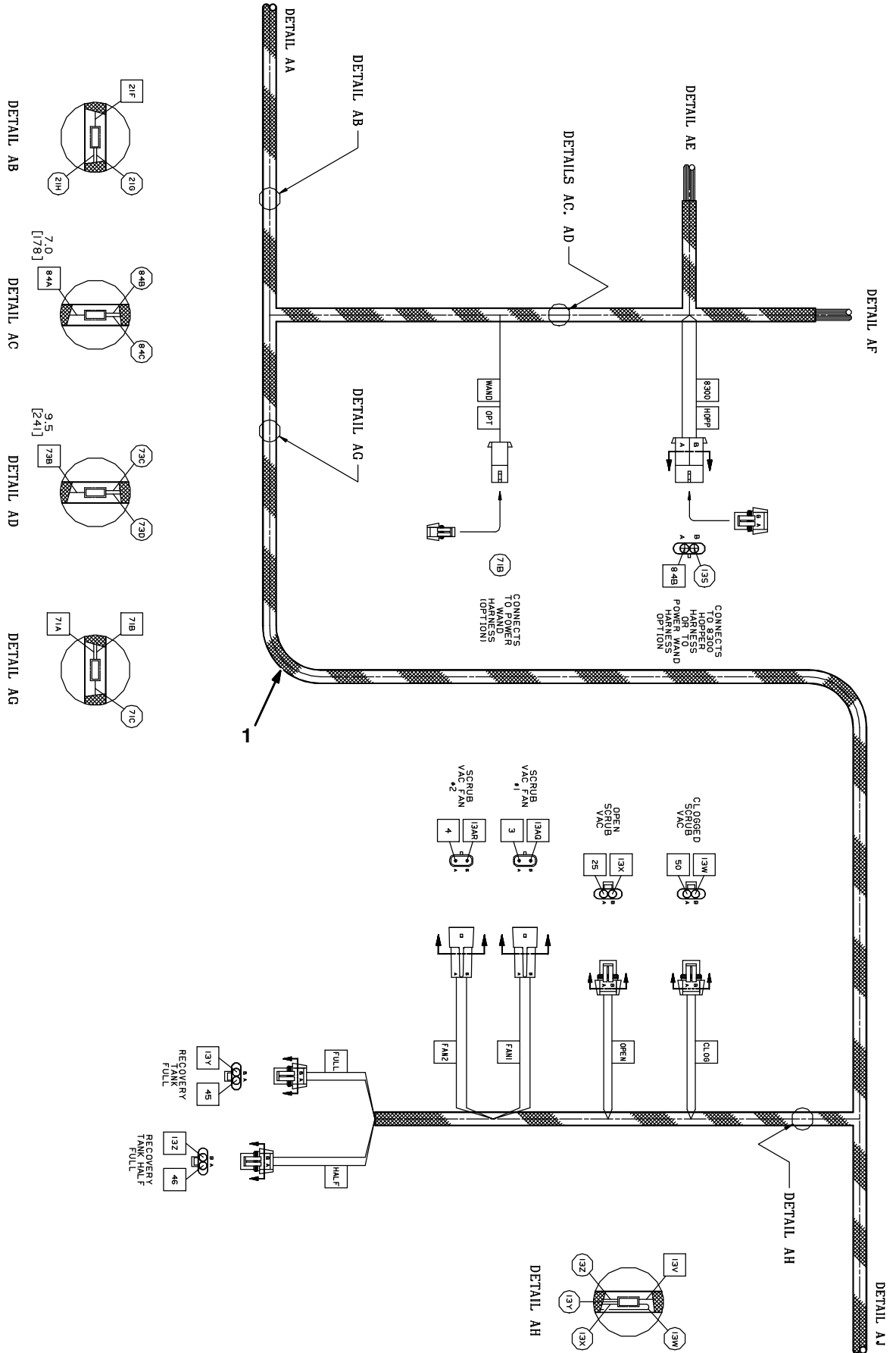


Fig. 44 - Electrical Wire Harness Group, Main

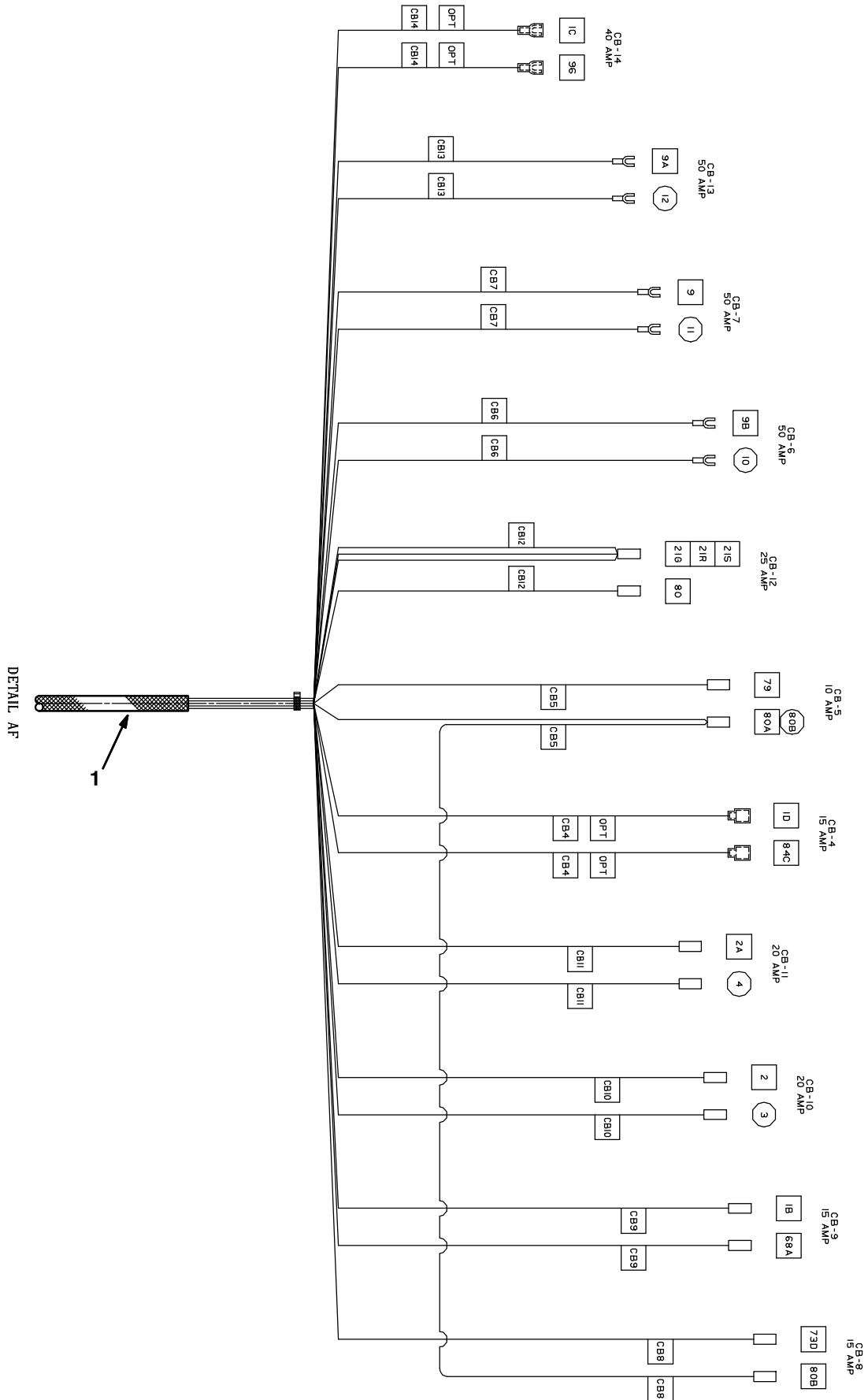


Fig. 44 - Electrical Wire Harness Group, Main

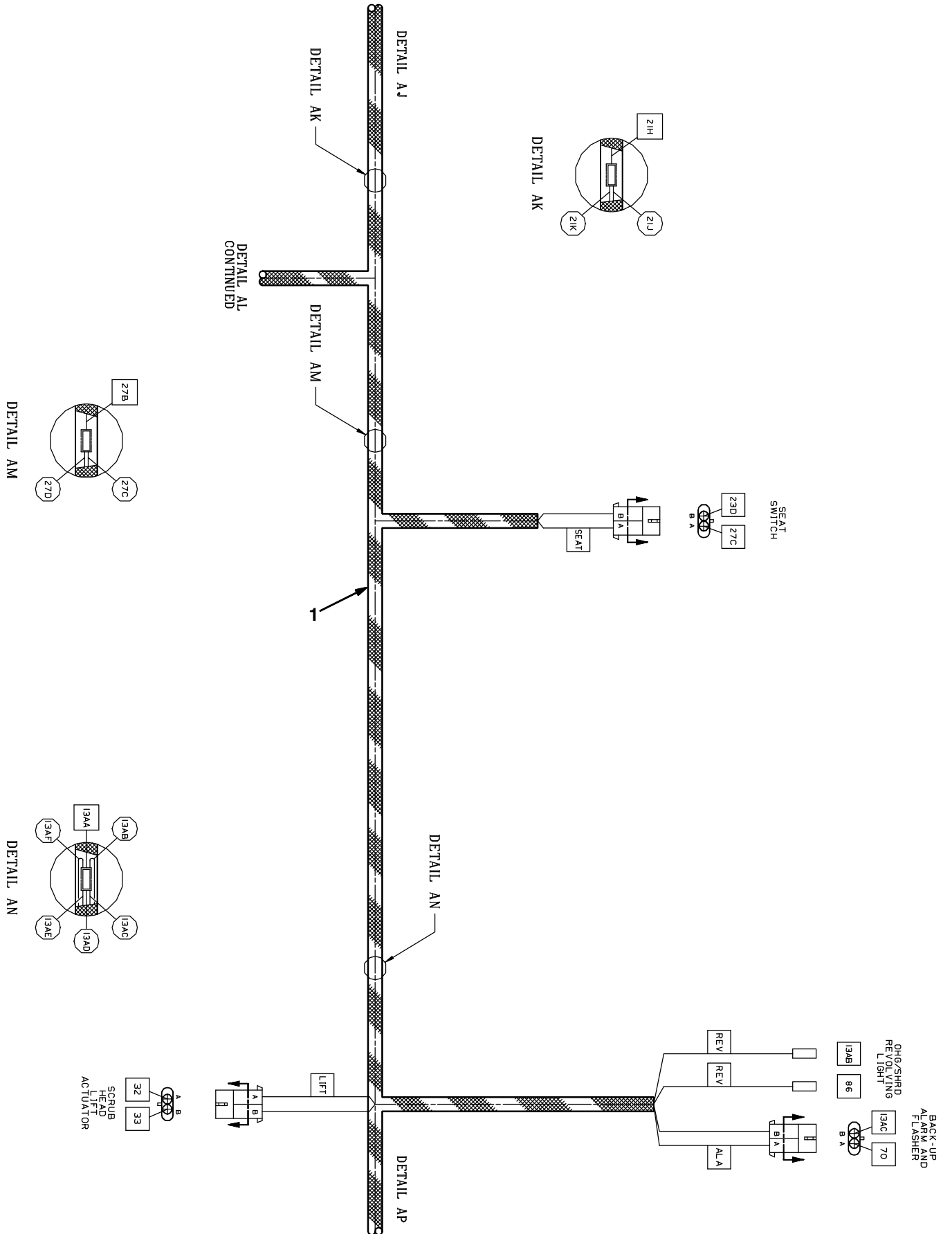
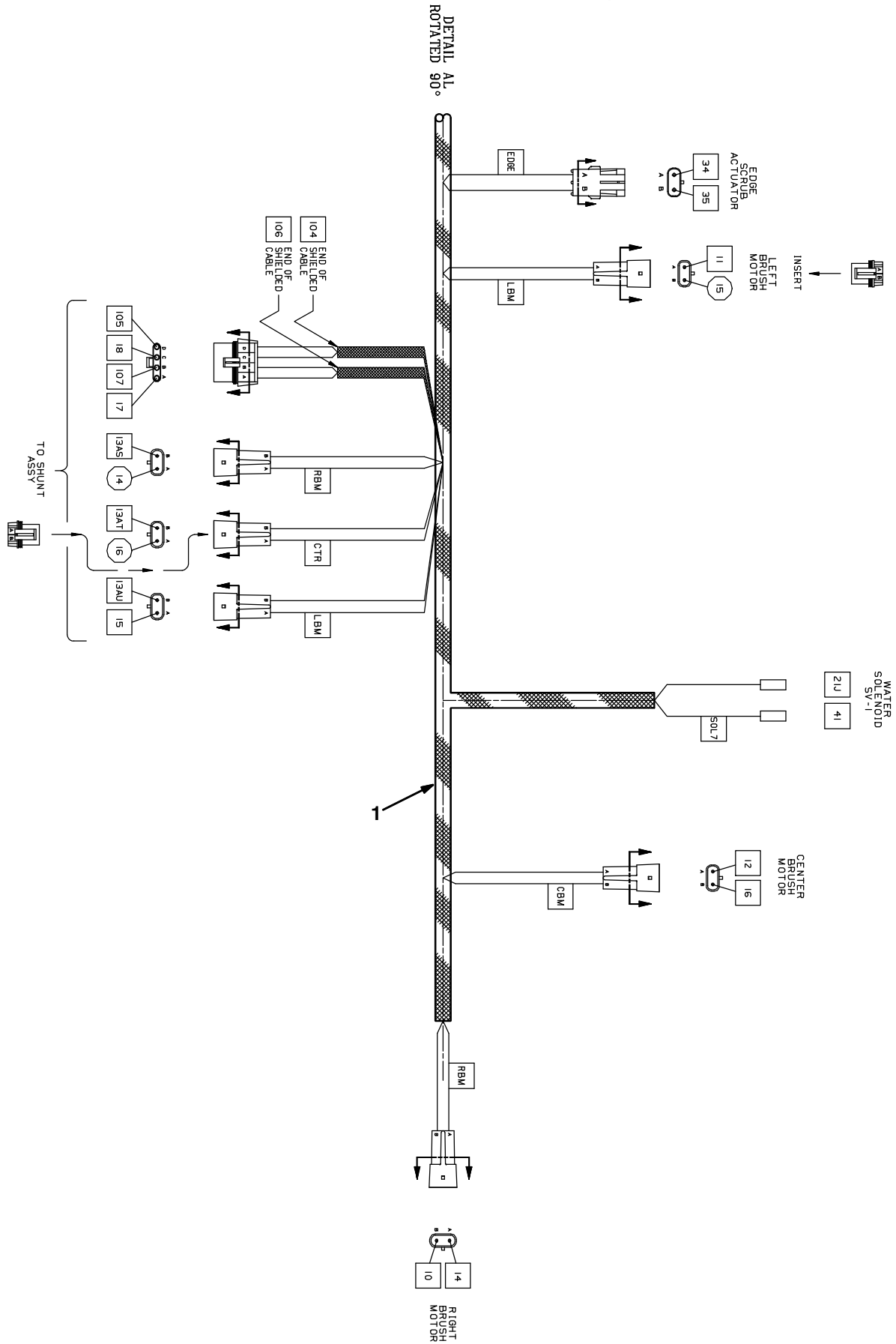


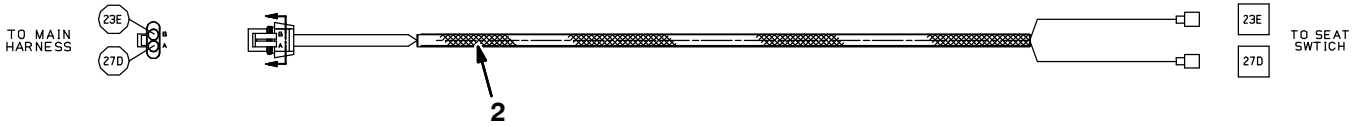
Fig. 44 - Electrical Wire Harness Group, Main





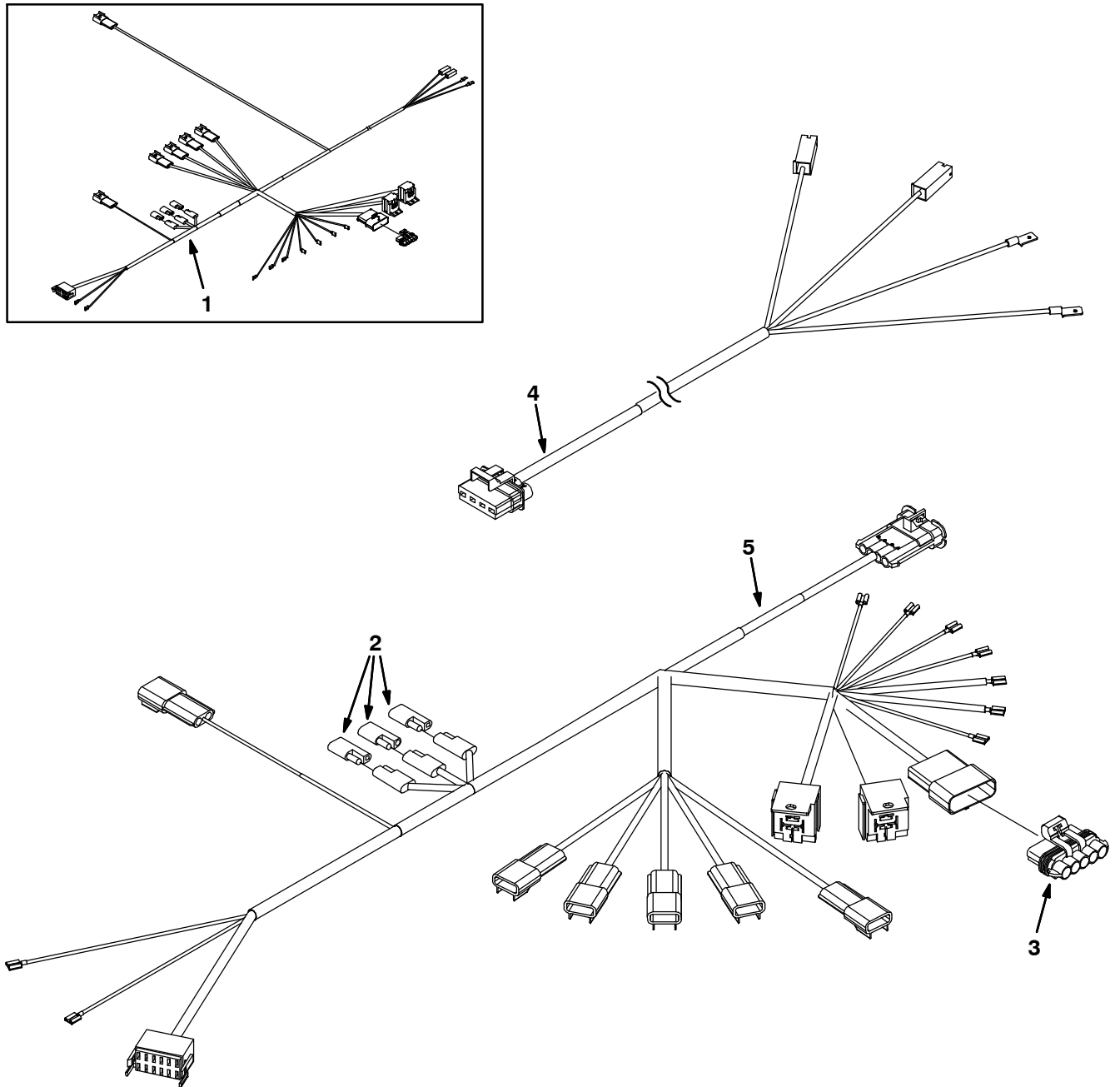


**Fig. 44 - Eleactrical Wire Harness Group, Main**



Ref.	Tennant Part No.	Machine Serial Number	Description	Qty.
1	386600	(000000-001405 )	Harness, Main, 7300, 8300	1
1	387424	(001406-	) Harness, Main, 7300, 8300	1
2	387302	(000000-	) Harness, Wire, Jumper, Seat Switch	1
3	60278	(000000-	) Harness, Jumper, Arm	2

**Fig. 45 - Electrical Wire Harness Group, FaST (000000-003746)**

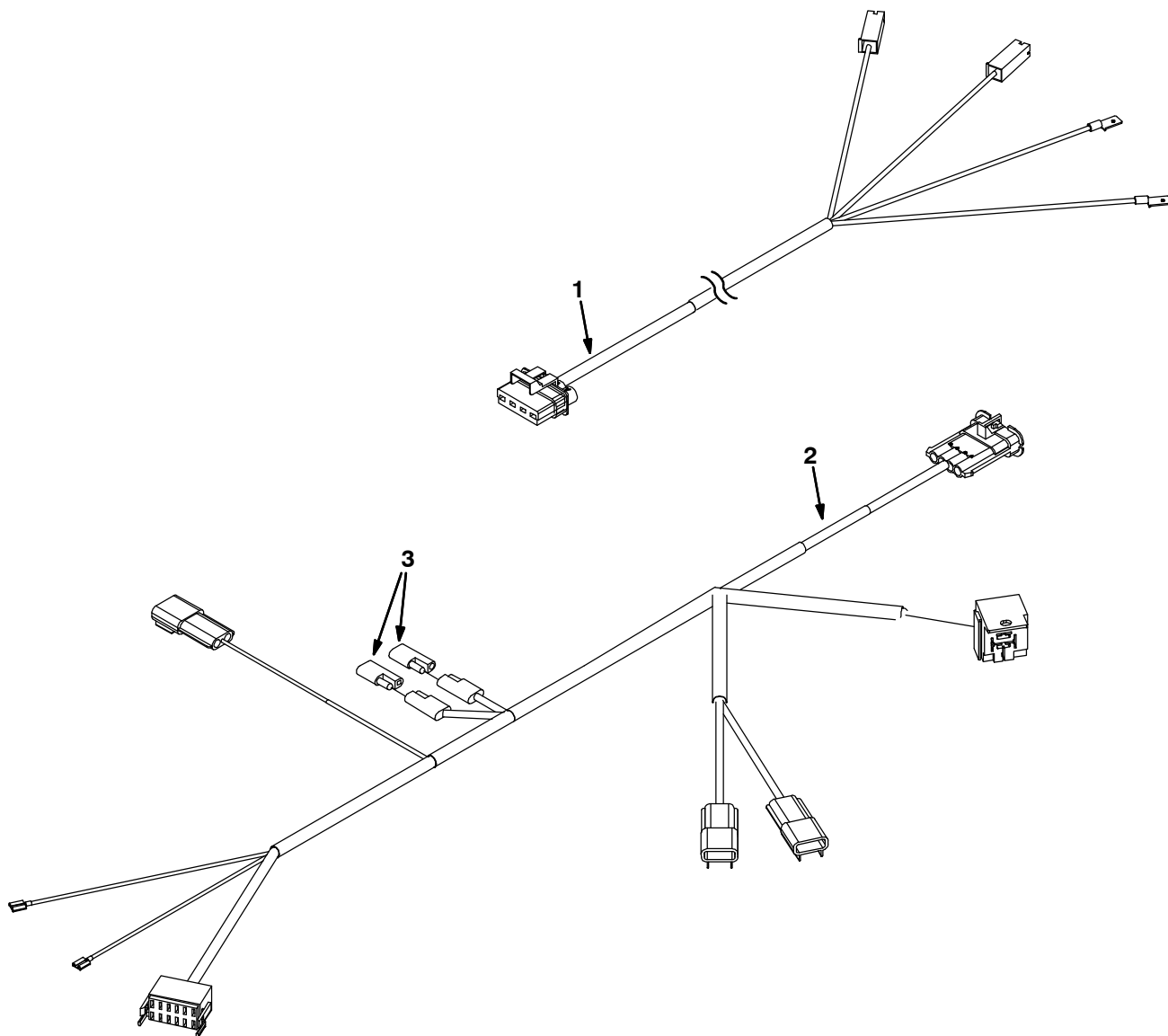


354203 - 7300

Ref.	Tenant Part No.	Machine Serial Number	Description	Qty.
1	1010325	(000000-002252 )	Harness, Fast, 7300/8300	1
2	222290	(000000-003746 )	Diode, Ele, Plug	3
3	1015096	(000000-003746 )	Plug, Resistor	1
4	1017288	(002253-003746 )	Harness, Rear, [ Fast 7300/8300]	1
5	1017289	(002253-003746 )	Harness [Fast 7300/8300]	1

# STANDARD PARTS

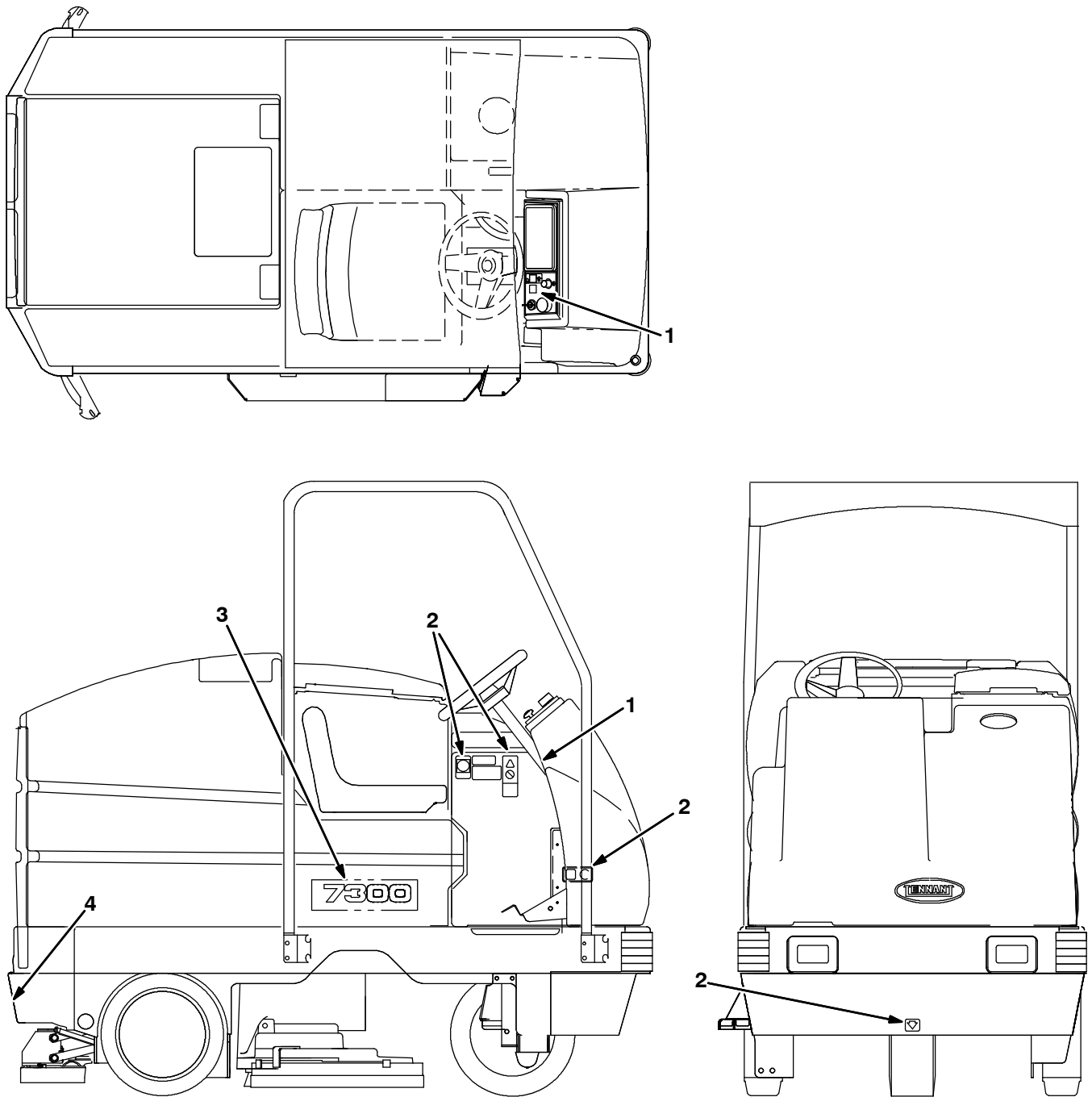
Fig. 46 - Eleactrical Wire Harness Group, FaST (003747- )



354203 - 7300

Ref.	Tenant Part No.	Machine Serial Number	Description	Qty.
1	1017288	(003747- )	Harness, Rear [FaST 7300/8300]	1
2	1052588	(003747- )	Harness [FaST II+ 7300/8300]	1
3	222290	(003747- )	Diode, Ele, Plug	2

Fig. 47 - Label Group



353345 - 7300, NA

Ref.	Tennant Part No.	Machine Serial Number	Description	Qty.
1	386130	(000000- )	Label Set, Operational, 7300/8300	1
2	387032	(000000- )	Label Set, Info & Hzd	1
3	386332	(000000- )	Label	2
4	387525	(000000- )	Label, Sqge	1



# SECTION 3

Contents	Page
Fig. 1 - Revolving Light Kit	3-4
Fig. 2 - Revolving Light Kit, Overhead Guard	3-6
Fig. 3 - Backup Alarm Kit	3-8
Fig. 4 - Rear Bumper Kit	3-10
Fig. 5 - Overhead Guard Kit	3-12
Fig. 6 - Seat Belt Kit	3-14
Fig. 7 - Suspension Seat Kit	3-16
Fig. 8 - Power Steering Group	3-18
Fig. 9 - Power Steering Hydraulic Hose Group	3-20
Fig. 10 - Power Steering Hydraulic Schematic	3-21
Fig. 11 - Right Side Brush Motor And Pivot Group	3-22
Fig. 12 - Right Side Brush Lift Group	3-24
Fig. 13 - Right Side Brush Bumper And Electrical Group	3-26
Fig. 14 - Left Side Brush Motor And Pivot Group	3-28
Fig. 15 - Left Side Brush Lift Group	3-30
Fig. 16 - Left Side Brush Mount Group	3-32
Fig. 17 - Max Pro 1200 (Disc-Brush) Scrub Head Frame Group	3-34
Fig. 18 - Max Pro 1200 (Disc-Brush) Scrub Head Linkage Group	3-36
Fig. 19 - Max Pro 1200 (Disc-Brush) Solution Valve Group	3-38
Fig. 20 - Max Pro 1200 (Disc-Brush) Solution Valve Group (FaST/ec-H2O)	3-40
Fig. 21 - Max Pro 1200 (Disc-Brush) Edge Scrub Group	3-42
Fig. 22 - Max Pro 1200 (Disc-Brush) Right Side Squeegee Group	3-44
Fig. 23 - Max Pro 1200 (Disc-Brush) Right Side Vacuumized Squeegee Group	3-46
Fig. 24 - Max Pro 1200 (Disc-Brush) Left Side Squeegee Group	3-48
Fig. 25 - Max Pro 1000 (Cylindrical Brush) Scrub Head Frame and Linkage Group	3-50
Fig. 26 - Max Pro 1000 (Cylindrical Brush) Scrub Head Drive Group	3-52
Fig. 27 - Max Pro 1000 (Cylindrical Brush) Solution Valve Group	3-54
Fig. 28 - Max Pro 1000 (Cylindrical Brush) Solution Valve Group (FaST/ec-H2O)	3-56

Contents	Page
Fig. 29 - Max Pro 1000 (Cylindrical Brush) Edge Scrub Group	3-58
Fig. 30 - Max Pro 1000 (Cylindrical Brush) Right Side Squeegee Group	3-60
Fig. 31 - Max Pro 1000 (Cylindrical Brush) Left Side Squeegee Group	3-62
Fig. 32 - Max Pro 1000 (Cylindrical Brush) Debris Tray Group	3-64
Fig. 33 - Max Pro 1000 (Cylindrical Brush) Vacuumized Debris Tray Group	3-66
Fig. 34 - Max Pro 1200 (Cylindrical Brush) Scrub Head Frame and Linkage Group	3-68
Fig. 35 - Max Pro 1200 (Cylindrical Brush) Scrub Head Drive Group	3-70
Fig. 36 - Max Pro 1200 (Cylindrical Brush) Solution Valve Group	3-72
Fig. 37 - Max Pro 1200 (Cylindrical Brush) Solution Valve Group (FaST/ec-H2O)	3-74
Fig. 38 - Max Pro 1200 (Cylindrical Brush) Edge Scrub Group	3-76
Fig. 39 - Max Pro 1200 (Cylindrical Brush) Right Side Squeegee Group	3-78
Fig. 40 - Max Pro 1200 (Cylindrical Brush) Left Side Squeegee Group	3-80
Fig. 41 - Max Pro 1200 (Cylindrical Brush) Debris Tray Group	3-82
Fig. 42 - Max Pro 1200 (Cylindrical Brush) Vacuumized Debris Tray Group	3-84
Fig. 43 - ES Pump Group	3-86
Fig. 44 - ES Tank Group	3-88
Fig. 45 - ES Drain Assembly	3-90
Fig. 46 - ec-H2O Solution Pump Group	3-92
Fig. 47 - ec-H2O Switch and Label Group	3-94
Fig. 48 - ec-H2O Wire Harnesses Group	3-96
Fig. 49 - Positive Solution Control Drain Kit, Recovery Tank	3-98
Fig. 50 - Positive Solution Control Drain Kit, Solution Tank	3-100
Fig. 51 - Low Water Level Kit	3-102
Fig. 52 - Detergent Metering Kit	3-104
Fig. 53 - Power Wand Hose Assembly	3-106
Fig. 54 - Power Wand Assembly	3-108
Fig. 55 - Power Wand Pump and Fittings Group	3-110
Fig. 56 - Power Wand Mount Group	3-112
Fig. 57 - Vacuum Wand Kit	3-114

## OPTIONS

---

<b>Contents</b>	<b>Page</b>
Fig. 58 - Max Pro 1200 Rear Squeegee Group .....	3-116
Fig. 59 - Max Pro 1200 Rear Squeegee Group (For Vacuumized Side Squeegee) ...	3-118
Fig. 60 - Max Pro 1000 Urethane Squeegee Kit .....	3-120
Fig. 61 - Max Pro 1200 Urethane Squeegee Kit .....	3-121
Fig. 62 - Battery Rollout Kit .....	3-122
Fig. 63 - Battery Forklift Kit .....	3-124
Fig. 64 - Battery Kit, 380AH Wet .....	3-126
Fig. 65 - Battery Kit, 500AH Wet .....	3-128
Fig. 66 - Battery Kit, 600AH .....	3-130
Fig. 67 - Battery Kit, 750AH Wet .....	3-132
Fig. 68 - Battery Charger Group, 75A, 36V, 60Hz 1PH (380Ah Batteries)	3-134
Fig. 69 - Battery Charger Group, 75A, 36V, 60Hz 3Ph (380Ah Batteries) .....	3-135
Fig. 70 - Battery Charger Group, 120A, 36V, 60Hz 1Ph (500Ah Batteries)	3-136
Fig. 71 - Battery Charger Group, 120A, 36V, 60Hz 3Ph (500Ah Batteries)	3-137
Fig. 72 - Battery Charger Group, 150A, 36V, 60Hz (750Ah Batteries) ...	3-138
Fig. 73 - Battery Charger Group, 93A, 36V, 60Hz 1Ph (600Ah Batteries)	3-139
Fig. 74 - Battery Charger Group, 93A, 36V, 60Hz 3Ph (600Ah Batteries)	3-140
Fig. 75 - Tire, Non-Mark, Non-Skid, Front Drive .....	3-141
Fig. 76 - Tire, Non-Mark, Non-Skid, Rear .....	3-142
Fig. 77 - Fire Extinguisher Kit .....	3-143
Fig. 78 - Documentation Group .....	3-144





Fig. 1 - Revolving Light Kit

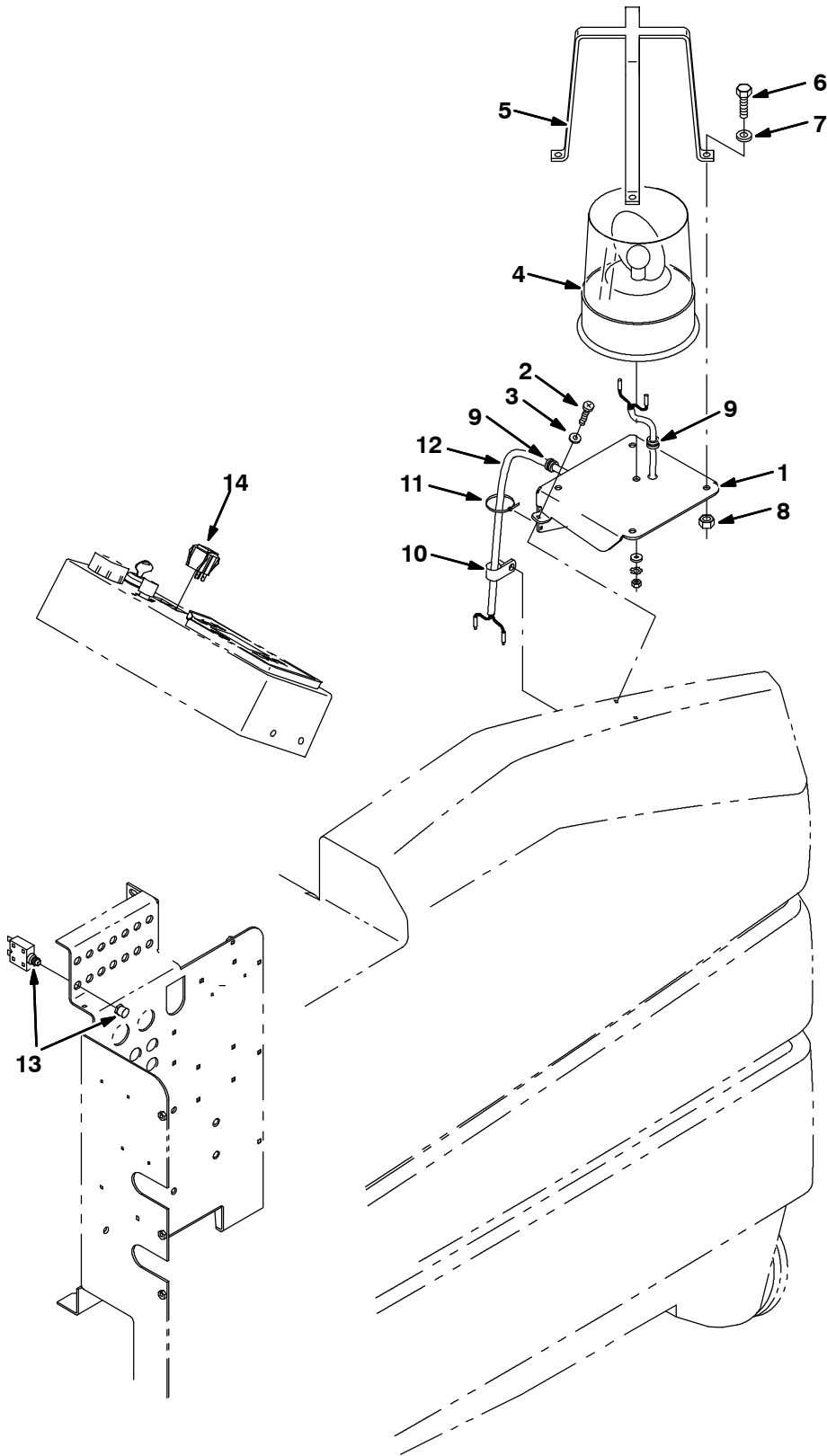
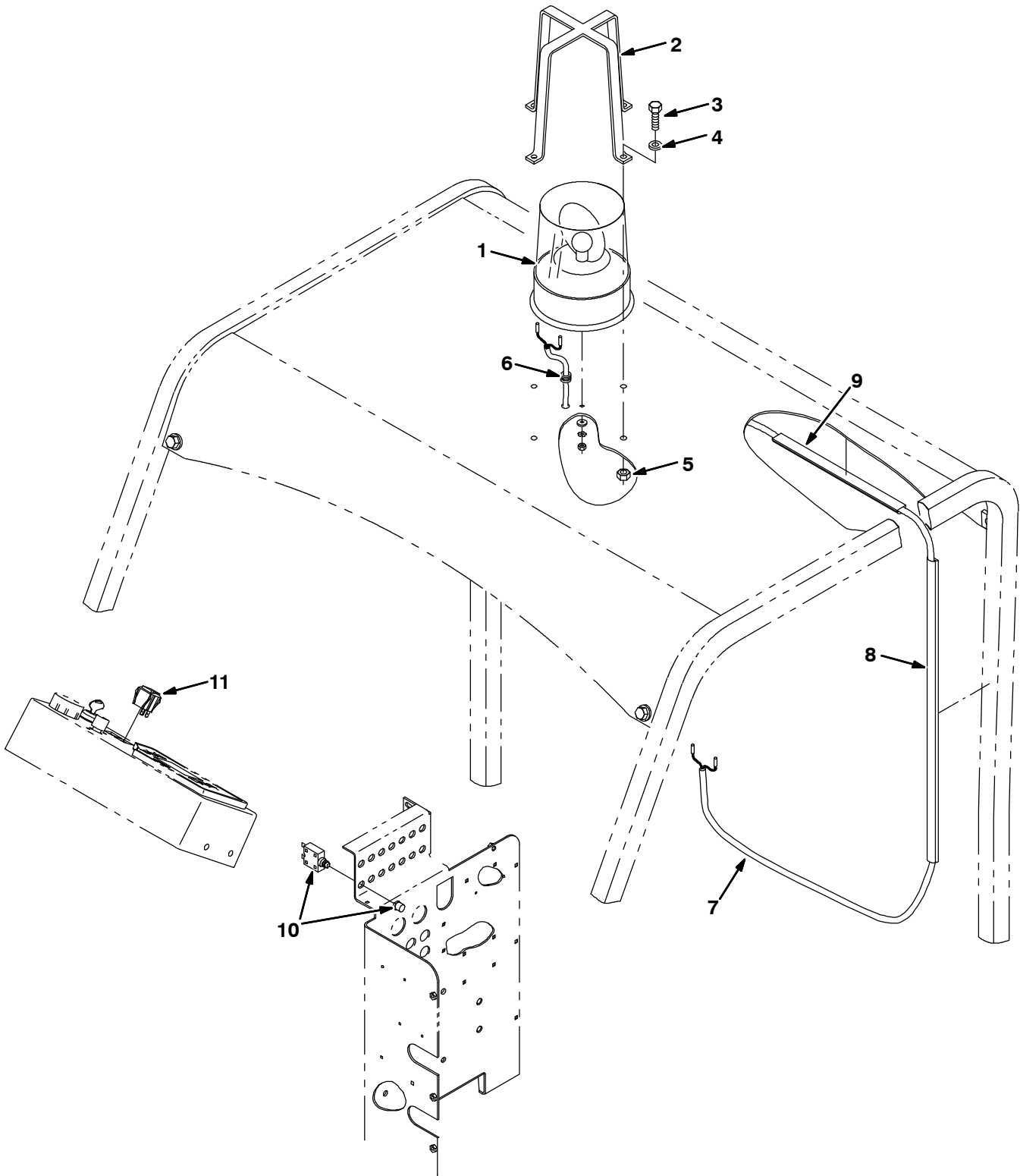


Fig. 1 - Revolving Light Kit

	Ref.	Tennant Part No.	Machine Serial Number	Description	Qty.
▽		387301	(000000-	) Kit, Cl, Light, Revl W/O OHG	1
▲	1	387157	(000000-	) Bracket, Mtg	1
▲	2	360943	(000000-	) Screw, Pan, #10-14 X 0.75, F/Plstc	5
▲	3	19066	(000000-	) Washer, Flt, #10	4
▲▽	4	87709	(000000-	) Light, Revl, 36vdc, Amb, Rework 44684	1
▲▲		44681-1	(000000-	) Lens, Amber, Light, Revl	1
▲▲		45283	(000000-	) Lamp, 40vdc, 0.9a, [50cp#1062]	1
▲	5	45272	(000000-	) Guard Wldt, Light, Revl/Fish	1
▲	6	39277	(000000-	) Screw, Hex, M08 X 1.25 X 25, 8.8	4
▲	7	39349	(000000-	) Washer, Flt, .31 Sae	4
▲	8	07791	(000000-	) Nut, Hex, Flng, M08 X 1.25	4
▲	9	10632-12	(000000-	) Grommet, Rbr, 0.38id, F/ 0.5h, .12matl	2
▲	10	26395-2	(000000-	) Clamp, Cable, Stl, 0.38d X 0.38w, 1h	1
▲	11	49266	(000000-	) Tie, Cable, Nyl, 07.3l .19w 1.8 Max D	1
▲	12	386609	(000000-	) Harness, Light, Revl, Shrd	1
▲	13	383722	(000000-	) Circuitbreaker, 15.0 A	1
▲	14	360520	(000000-	) Switch, Rocker	1
		44681	(000000-	) Lens, Rev. Light, Red	1
		44681-2	(000000-	) Lens, Rev. Light, Blue	1

Fig. 2 - Revolving Light Kit, Overhead Guard



**Fig. 2 - Revolving Light Kit, Overhead Guard**

	<b>Ref.</b>	<b>Tennant Part No.</b>	<b>Machine Serial Number</b>	<b>Description</b>	<b>Qty.</b>
▽		387300	(000000-	) Kit, Cl, Light, Revl W/ Ohg	1
▲▽	1	87709	(000000-	) Light, Revl, 36vdc, Amb, Rework 44684	1
▲▲		44681-1	(000000-	) Lens, Amber, Light, Revl	1
▲▲		45283	(000000-	) Lamp, 40vdc, 0.9a, [50cp#1062]	1
▲	2	45272	(000000-	) Guard Wldt, Light, Revl/Flsh	1
▲	3	39277	(000000-	) Screw, Hex, M08 X 1.25 X 25, 8.8	4
▲	4	39349	(000000-	) Washer, Flt, .31 Sae	4
▲	5	07791	(000000-	) Nut, Hex, Flng, M08 X 1.25	4
▲	6	10632-12	(000000-	) Grommet, Rbr, 0.38id, F/ 0.5h, .12matl	1
▲	7	386605	(000000-	) Harness, Warning Light, Alarm	1
▲	8	365032	(000000-	) Duct, Vyl, 0.40 X 0.75 .25d 48.0l	1
▲	9	365033	(000000-	) Duct, Vyl, 0.40 X 0.75 .25d 23.0l	1
▲	10	383722	(000000-	) Circuitbreaker, 15.0 A	1
▲	11	360520	(000000-	) Switch, Rocker	1
		44681	(000000-	) Lens, Rev. Light, Red	1
		44681-2	(000000-	) Lens, Rev. Light, Blue	1

Fig. 3 - Backup Alarm Kit

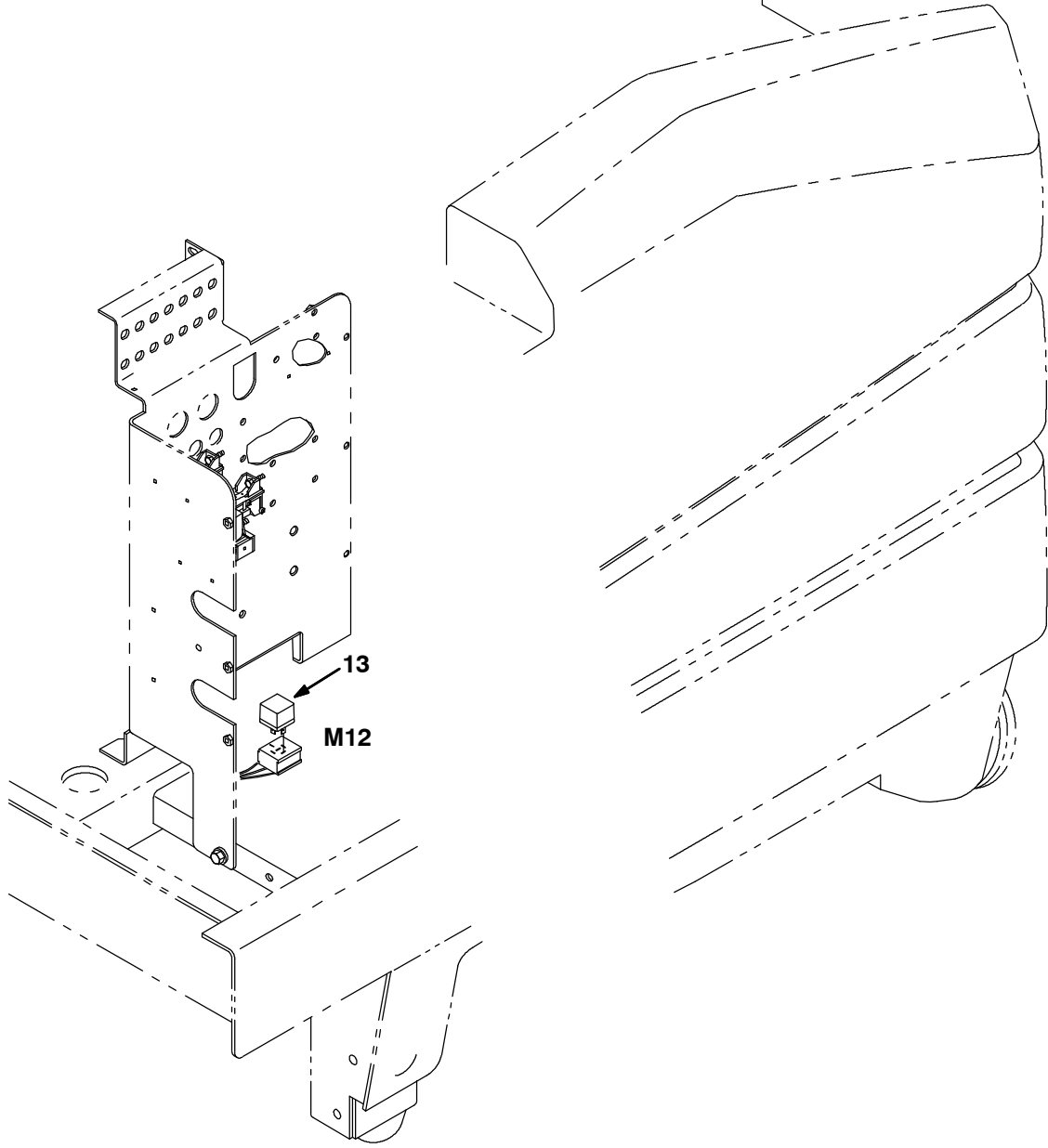
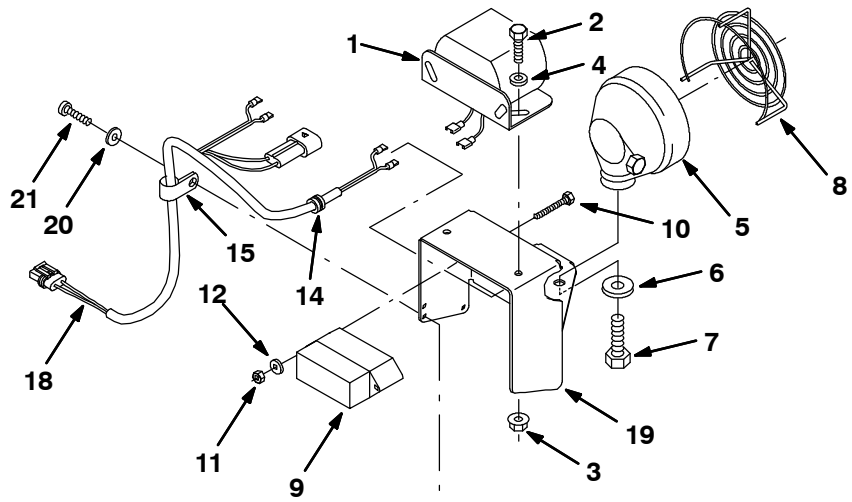
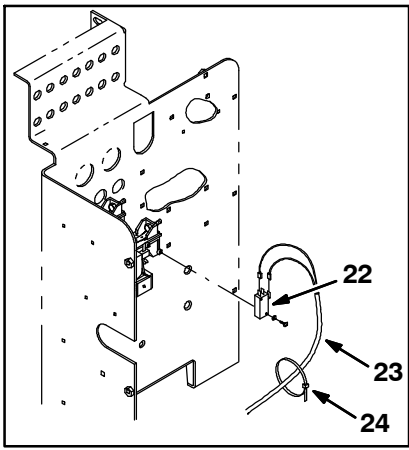
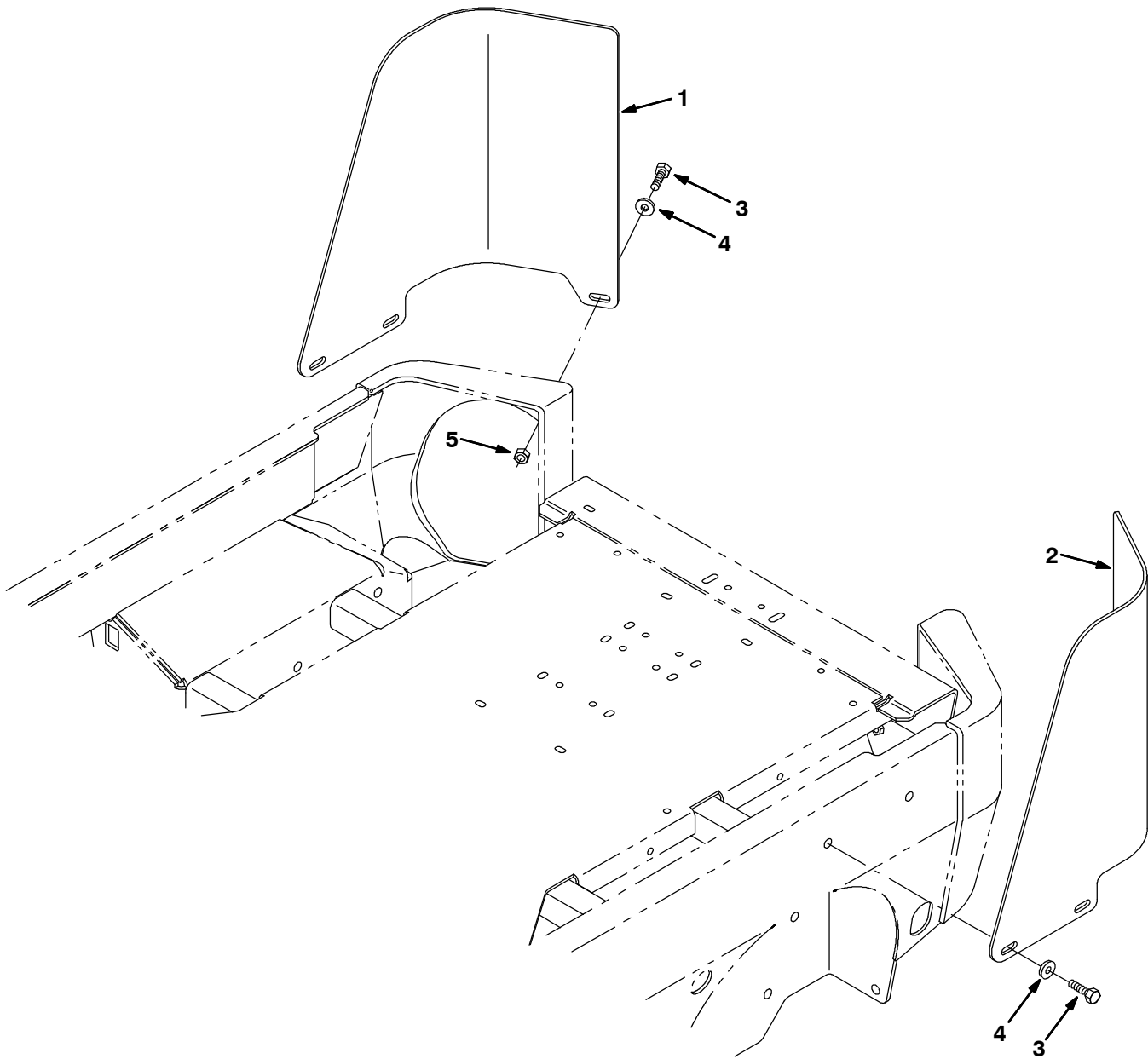


Fig. 3 - Backup Alarm Kit

Ref.	Tennant Part No.	Machine Serial Number	Description	Qty.
▽	387208	(000000-	) Kit, Cl, Alarm, Backup, 36Vdc	1
▲	1 72171	(000000-	) Alarm Assy, Backup, 12-48vdc 82-102dba	1
▲	2 06943	(000000-	) Screw, Hex, M06 X 1.0 X 20, 8.8	2
▲	3 07790	(000000-	) Nut, Hex, Flng, M06 X 1.0	2
▲	4 19066	(000000-	) Washer, Flt, #10	2
▲▽	5 72172	(000000-	) Light, Spot, 36vdc, 60w Rework 72173	1
▲▲	45391	(000000-	) Headlight, 36Vdc, 60 Watt 1.7A	1
▲	6 32486	(000000-	) Washer, Flt, .50 Sae	1
▲	7 39807	(000000-	) Screw, Hex, .50-13 X 0.75, 5	1
▲	8 72174	(000000-	) Guard, Light	1
▲	9 72164	(000000-	) Flasher, 12/48vdc 5a #6309/12-48vdc	1
▲	10 06949	(000000-	) Screw, Hex, M06 X 1.0 X 50, 8.8	2
▲	11 08708	(000000-	) Nut, Hex, Lock, M06 X 1.0, NI	2
▲	12 32483	(000000-	) Washer, Flt, .25 Sae	2
▲	13 398526	(000000-	) Relay, 36vdc, 5a, Spdt, [Greenwich]	1
▲	14 10632-12	(000000-	) Grommet, Rbr, 0.38id, F/ 0.5h, .12matl	1
▲	15 26395-2	(000000-	) Clamp, Cable, Stl, 0.38d X 0.38w, 1h	1
▲	16 32980	(000000-	) Washer, Lock, Int, #10	2
▲	17 38622	(000000-	) Spring	1
▲	18 386606	(000000-	) Harness, Backup Alarm, Shrd	1
▲	19 387158	(000000-	) Bracket, Mtg	1
▲	20 19066	(000000-	) Washer, Flt, #10	5
▲	21 360943	(000000-	) Screw, Pan, #10-14 X 0.75, F/Plstc	6
▲	22 28622	(000000-001705	) Kit, Switch, Micro	1
▲	23 387344	(000000-001705	) Harness, Wire, Jumper, Reverse Switch	1
▲	24 49266	(000000-001705	) Tie, Cable, Nyl, 07.3l .19w 1.8 Max D	4

Fig. 4 - Rear Bumper Kit

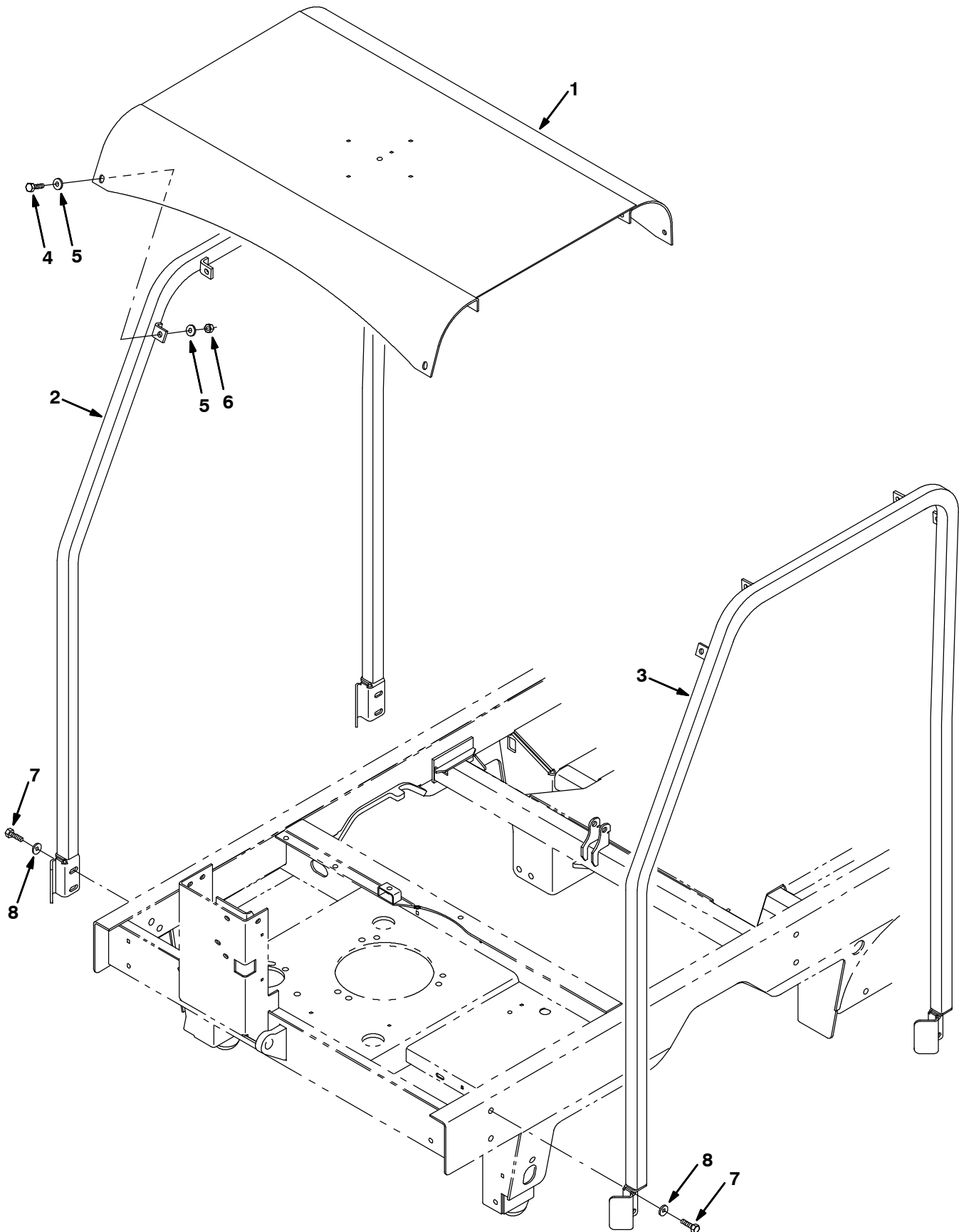




**Fig. 4 - Rear Bumper Kit**

	<b>Ref.</b>	<b>Tennant Part No.</b>	<b>Machine Serial Number</b>	<b>Description</b>	<b>Qty.</b>
▽		386417	(000000-	) Kit, Ci, Bumper, Rear	1
▲	1	386415	(000000-	) Bumper, Rear, Rh	1
▲	2	386416	(000000-	) Bumper, Rear, Lh	1
▲	3	09028	(000000-	) Screw, Hex, M10 X 1.5 X 25, Ss	6
▲	4	01686	(000000-	) Washer, Flt, .38 Ss	6
▲	5	08714	(000000-	) Nut, Hex, Lock, M10 X 1.5, NI, Ss	2

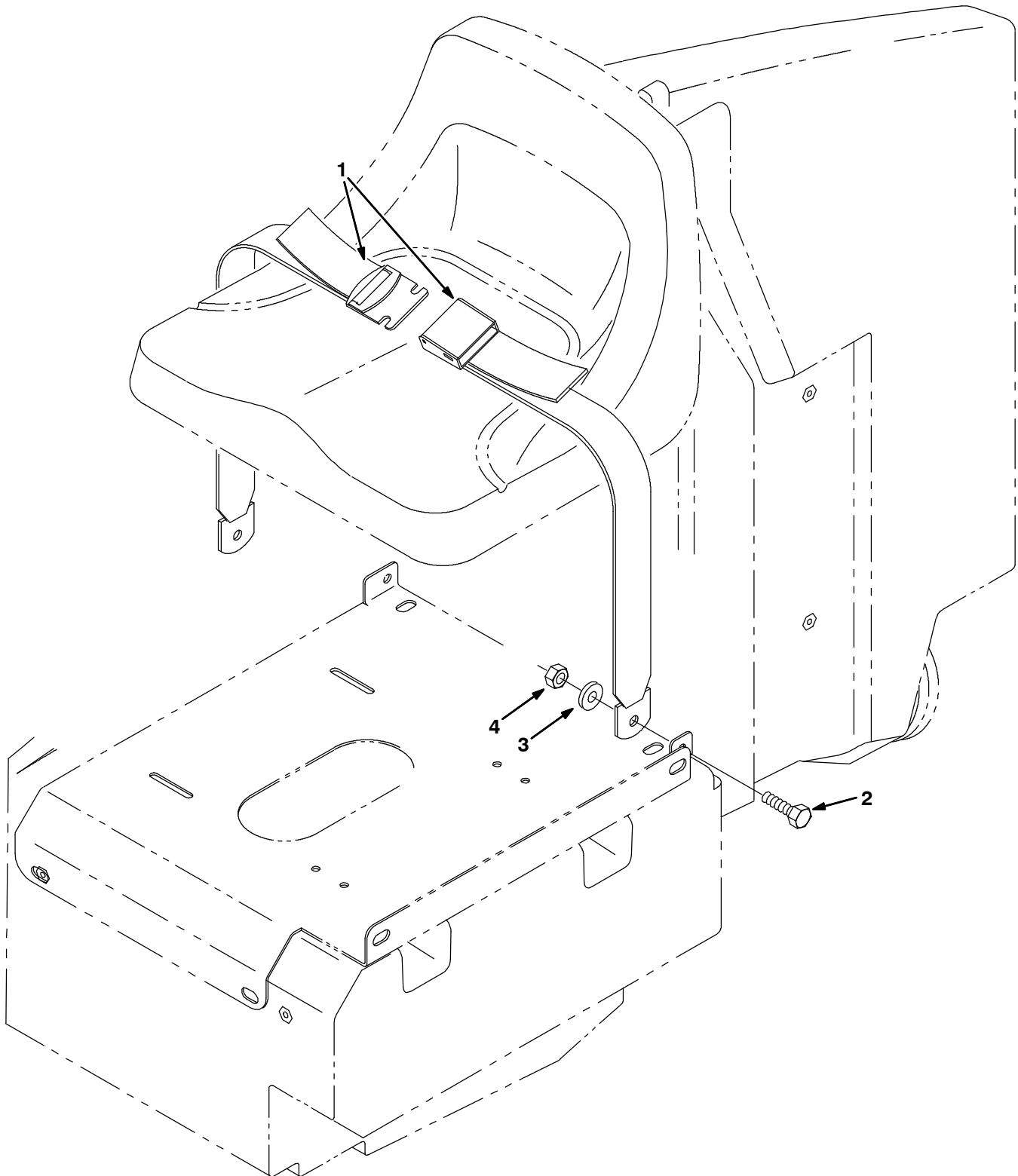
Fig. 5 - Overhead Guard Kit



**Fig. 5 - Overhead Guard Kit**

	<b>Tenant</b>	<b>Machine</b>			
<b>Ref.</b>	<b>Part No.</b>	<b>Serial Number</b>		<b>Description</b>	<b>Qty.</b>
▽	386875	(000000-	)	Kit, Ci, Ohg, [7300/8300]	1
▲	1 386642	(000000-	)	Guard Wldt, Oprtr, Top	1
▲	2 386983	(000000-	)	Tube, Guard, Oprtr, Pnt, Rh	1
▲	3 386984	(000000-	)	Tube, Guard, Oprtr, Pnt, Lh	1
▲	4 06961	(000000-	)	Screw, Hex, M10 X 1.5 X 20, 8.8	8
▲	5 32492	(000000-	)	Washer, Flt, .38 Std	16
▲	6 41430	(000000-	)	Nut, Hex, Lock, M10 X 1.5, NI	8
▲	7 09028	(000000-	)	Screw, Hex, M10 X 1.5 X 25, Ss	8
▲	8 01686	(000000-	)	Washer, Flt, .38 Ss	8

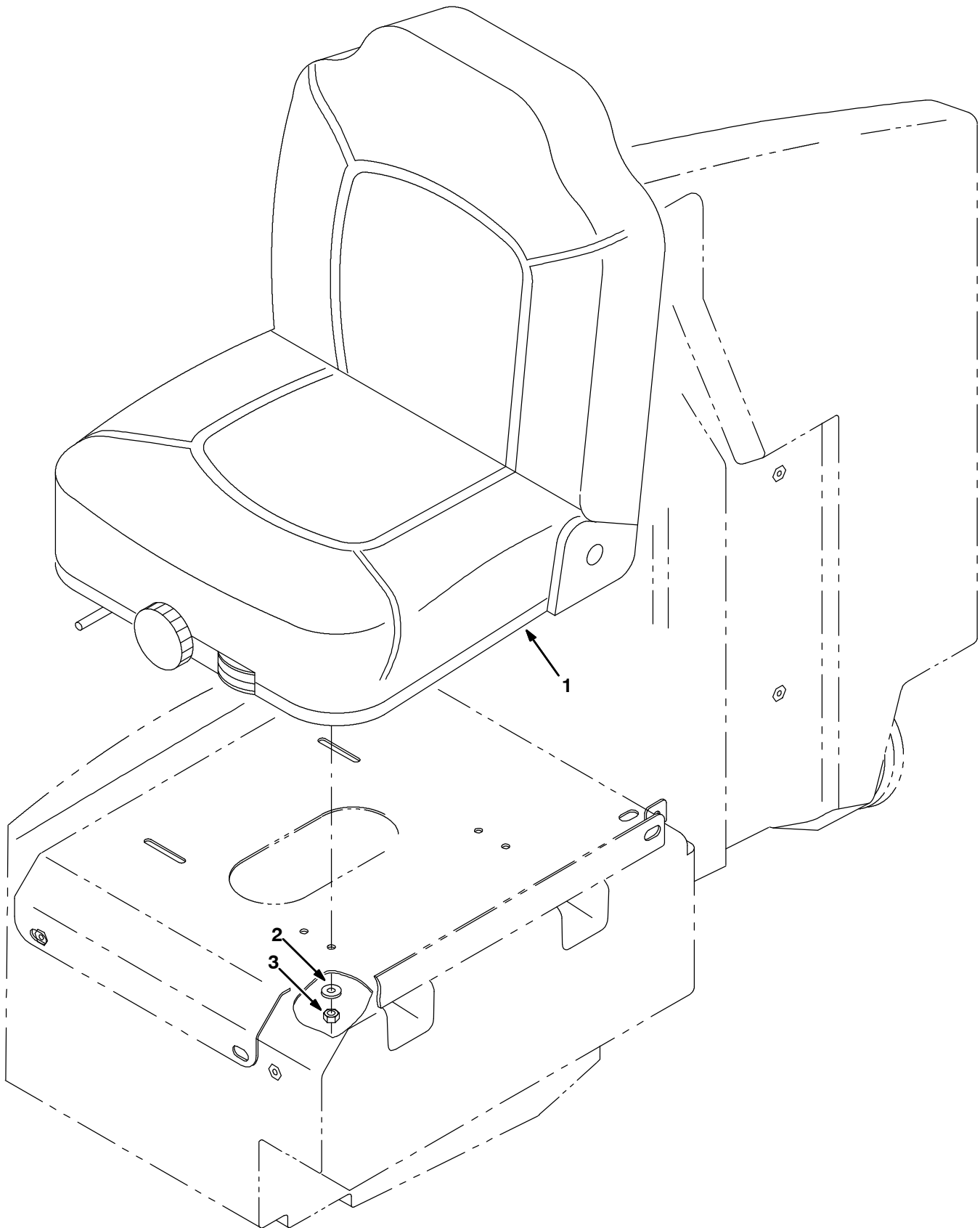
Fig. 6 - Seat Belt Kit



**Fig. 6 - Seat Belt Kit**

	<b>Ref.</b>	<b>Tennant Part No.</b>	<b>Machine Serial Number</b>	<b>Description</b>	<b>Qty.</b>
▽		386958	(000000-	) Kit, Ci, Seatbelt	1
▲	1	30533	(000000-	) Seatbelt	1
▲	2	06961	(000000-	) Screw, Hex, M10 X 1.5 X 20, 8.8	2
▲	3	32493	(000000-	) Washer, Flt, .50 Std	2
▲	4	41430	(000000-	) Nut, Hex, Lock, M10 X 1.5, NI	2

Fig. 7 - Suspension Seat Kit



**Fig. 7 - Suspension Seat Kit**

	<b>Ref.</b>	<b>Tennant Part No.</b>	<b>Machine Serial Number</b>	<b>Description</b>	<b>Qty.</b>
▽		386963	(000000-	) Kit, Ci, Seat, Suspension	1
▲	1	223595	(000000-	) Seat, Suspension	1
▲	2	32491	(000000-	) Washer, Flt, .31 Std	4
▲	3	32983	(000000-	) Nut, Hex, Lock, .31-18, NI	4

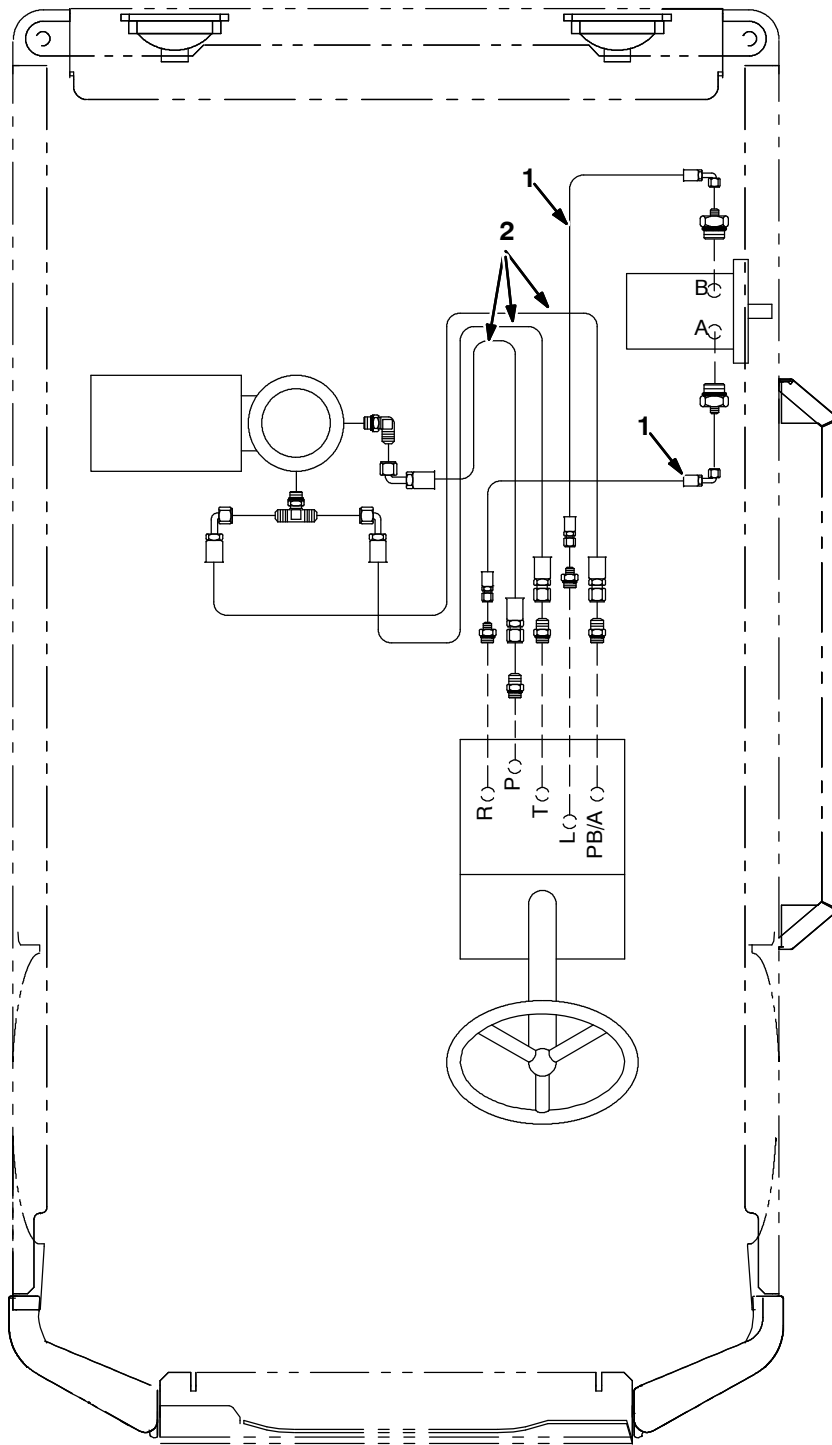




**Fig. 8 - Power Steering Group**

Ref.	Tennant Part No.	Machine Serial Number	Description	Qty.	
1	56398	(000000-	) Wheel, Steering, 14.0d, Taper Bore	1	
2	56185	(000000-	) Nut, Hex, Jam, M20 X 1.5	1	
▽	3	386702	(000000-001837 ) Column, Steering (Replaced by 387653)	1	
▲	74142	(000000-001837 )	Cap, Tube	1	
▽	4	386701	(000000-001837 ) Steer-Control, Hyd (Replaced by 387653)	1	
▲	373424	(000000-001837 )	Kit, Seal, Scu	1	
5	06960	(000000-001837 )	Screw, Hex, M10 X 1.5 X 16, 8.8	3	
6	56690	(000000-	) Fitting, Hyd, Str, Jm06/Om06	3	
7	55685	(000000-	) Fitting, Hyd, Str, Jm04/Om06	2	
8	386204	(000000-	) Bracket Wldt, Steering, Tilt	1	
9	70709	(000000-	) Bushing Assy, Flng, 2 Hole, 0.50b	2	
10	06942	(000000-	) Screw, Hex, M06 X 1.0 X 16, 8.8	4	
11	386703	(000000-	) Motor, Hyd (See Breakdowns)	1	
12	57984	(000000-	) Fitting, Hyd, Str, Jm04/Om10	2	
13	387393	(000000-	) Screw, Soc, M12 X 1.75 X 45	2	
14	32486	(000000-	) Washer, Flt, .50 Sae	4	
15	386215	(000000-	) Bushing, Taper Lock	1	
16	386214	(000000-	) Sprocket, #40 24-Tooth	1	
17	386216	(000000-	) Chain, Roller, #40 X 109 Pitches	1	
18	08711	(000000-	) Nut, Hex, Lock, M12 X 1.75,NI	2	
19	07112	(000000-	) Link, Chain, Roller, #40	1	
20	386153	(000000-	) Plate, Mtg, Hyd	1	
21	16931	(000000-	) Screw, Hex, M08 X 1.25 X 20, 8.8	8	
22	32491	(000000-	) Washer, Flt, .31 Std	8	
23	386704	(000000-	) Powerunit, Hyd, 36vdc (See Breakdowns)	1	
24	08709	(000000-	) Nut, Hex, Lock, M08 X 1.25,NI	4	
25	67683	(000000-	) Fitting, Hyd, Tee, Jm06/Om06/Jm06	1	
26	56820	(000000-	) Fitting, Hyd, E90, Jm06/Om06	1	
27	386209	(000000-	) Handle Wldt, Steering, Tilt	1	
28	386810	(000000-	) Contactor, 36vdc	1	
29	06942	(000000-	) Screw, Hex, M06 X 1.0 X 16, 8.8	2	
30	32483	(000000-	) Washer, Flt, .25 Sae	2	
31	387452	(000000-	) Plate, Mtg, Contactor	1	
32	01715	(000000-	) Nut, Hex, Std, .31-24	2	
33	32984	(000000-	) Washer, Lock, Int, .31	2	
34	39349	(000000-	) Washer, Flt, .31 Sae	2	
35	01713	(000000-	) Nut, Hex, Std, #10-32, 2	2	
36	07514	(000000-	) Washer, Lock, Int, #10, Ss	2	
37	19066	(000000-	) Washer, Flt, #10	2	
38	41342	(000000-	) Screw, Hex, M08 X 1.25 X 40, 8.8	1	
▽	39	373496	(001838-	) Column, Steering, #14.0L .81D 36Tooth	1
▲	74142	(001838-	) Cap, Tube	1	
40	373495	(001838-	) Steer-Control, Hyd (See Breakdowns)	1	
41	11329	(001838-	) Screw, Hex, M6X1.0X16, Ss, NI	4	

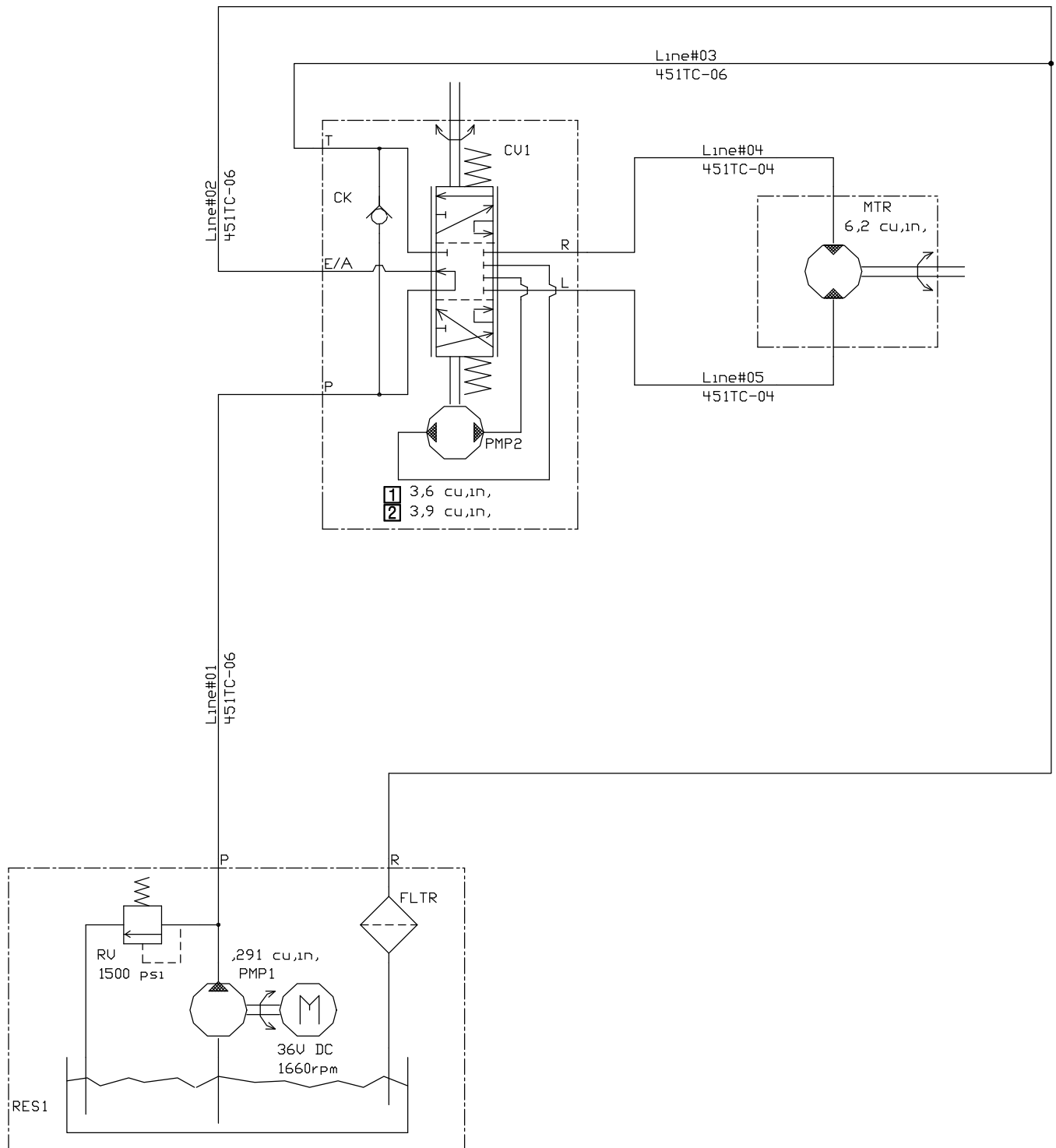
**Fig. 9 - Power Steering Hydraulic Hose Group**



353373 - 7300

Ref.	Tennant Part No.	Machine Serial Number	Description	Qty.
1	381867	(000000-	) Hose, Hyd,Tc 04, Jf04str /Jf04e90 , 30.0	2
2	386711	(000000-	) Hose, Hyd, Tc 06, Jf Str/E90 , 48.0l	3

Fig. 10 - Power Steering Hydraulic Schematic



353372 - 7300

- 1 Serial number (000000-001837)
- 2 Serial number (001838- )

Fig. 11 - Right Side Brush Motor And Pivot Group

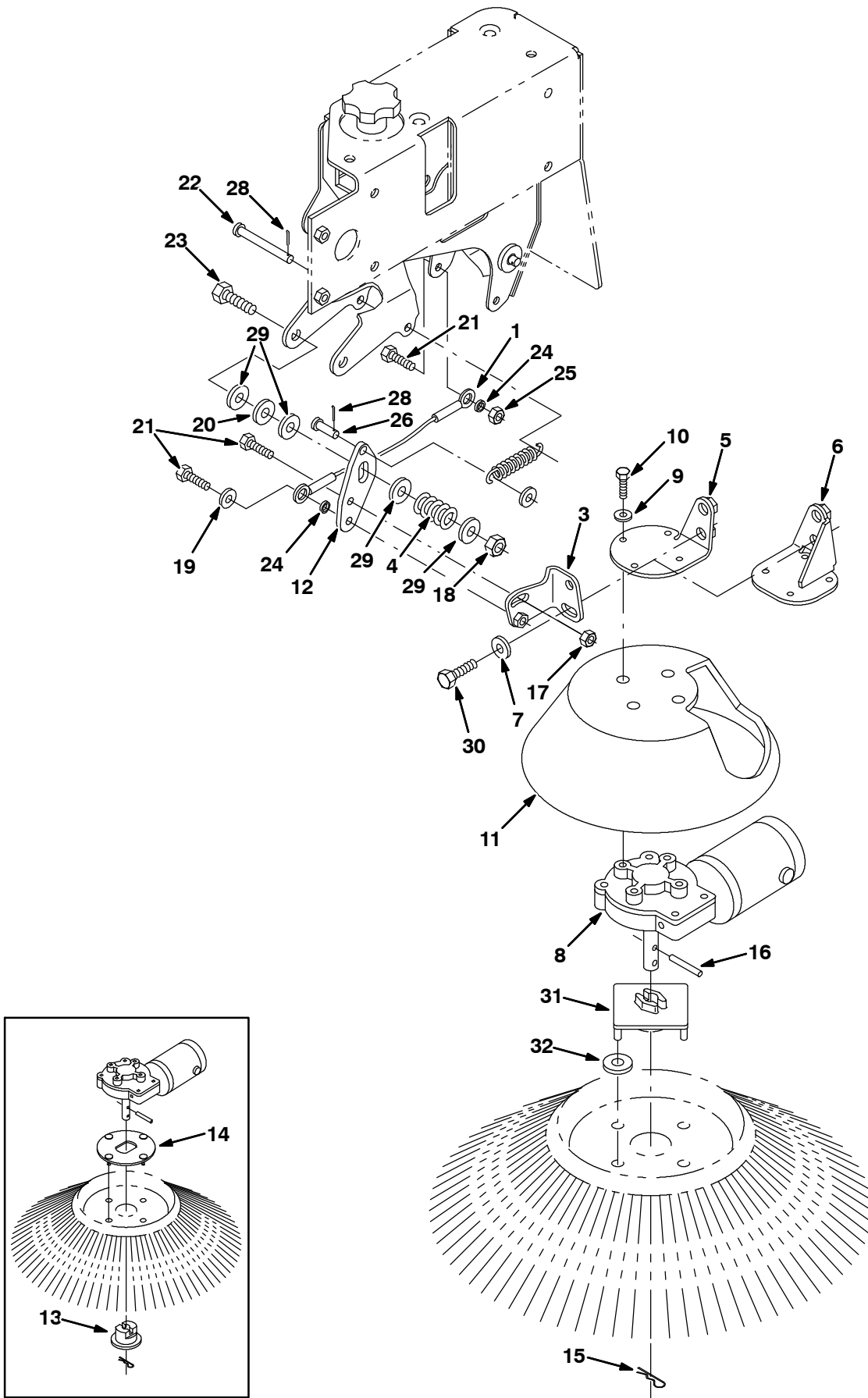


Fig. 11 - Right Side Brush Motor And Pivot Group

Ref.	Tennant Part No.	Machine Serial Number	Description	Qty.
1	87172	(000000-	) Cable, .13d, 10.0l, .51eye /.51eye	1
2	09480	(000000-	) Spring, Extn, 1.10od X 0.15wir, 3.2l	1
3	386661	(000000-	) Bracket, Motor, Mtg	2
4	360357	(000000-	) Spring, Die, 1.00od 0.50id 1.25l	2
5	386910	(000000-	) Bracket, Motor, Mtg	1
6	387577	(000000-	) Bracket, Motor, Mtg	1
7	32492	(000000-	) Washer, Flat, .38 Ss	2
▽	8 81751	(000000-001823	) Motor Ele, 36Vdc, Rh Rep By 1008274	1
▲	81919	(000000-001823	) Kit, Brush, Motor, Ele	1
▲	80127	(000000-001823	) Cap, Brush, Motor, Ele	2
▲	369795	(000000-001823	) Brushholder, Motor, Ele	2
▲	369796	(000000-001823	) Clip, Motor, Ele	2
▽	8 1008274	(001824-	) Motor, Ele, 36Vdc 0.08Hp 0068Rpm 04.5A	1
▲	81919	(001824-	) Kit, Brush, Motor, Ele	1
▲	80127	(001824-	) Cap, Brush, Motor, Ele	2
▲	369795	(001824-	) Brushholder, Motor, Ele	2
▲	369796	(001824-	) Clip, Motor, Ele	2
9	01684	(000000-	) Washer, Flt, .25 Ss	4
10	08716	(000000-	) Screw, Hex, M06 X 1.0 X 20, Ss	4
11	386666	(000000-	) Guard, Brush, Side	1
12	386905	(000000-	) Plate	1
13	386664	(000000-002346	) Adapter, Brush	1
14	386663	(000000-002346	) Plate, Adapter, Brush	1
15	02942	(000000-	) Pin, Hair Cotter, 0.62 D .120 Wir	1
16	11398	(000000-	) Pin, Roll, .250 D X 2.00l, .250/.256	1
17	07791	(000000-	) Nut, Hex, Flng, M08 X 1.25	1
18	08711	(000000-	) Nut, Hex, Lock, M12 X 1.75, NI	1
19	32491	(000000-	) Washer, Flt, .31 Std	1
20	86860	(000000-	) Bearing, Thrust	1
21	39277	(000000-	) Screw, Hex, M08 X 1.25 X 25, 8.8	3
22	57598	(000000-	) Pin, Clevis, 0.37 D X 3.25l	1
23	06974	(000000-	) Screw, Hex, M12 X 1.75 X 80, 8.8	1
24	360801	(000000-	) Sleeve	2
25	08709	(000000-	) Nut, Hex, Lock, M08 X 1.25,NI	1
26	04733-2	(000000-	) Pin, Clevis, 0.37 D X 0.62l	1
27	01685	(000000-	) Washer, Flt, .31 Ss	1
28	39005	(000000-	) Pin, Cotter, .094 X 0.75	2
29	32486	(000000-	) Washer, Flt, .50 Sae	4
30	39283	(000000-	) Screw, Hex, M10 X 1.5 X 25, 8.8	2
31	1017441	(002347-	) Plate, Adapter, Brush	1
32	1017802	(002347-	) Washer, .625 B, 2.50 Od, .211 T, Ss	4

Fig. 12 - Right Side Brush Lift Group

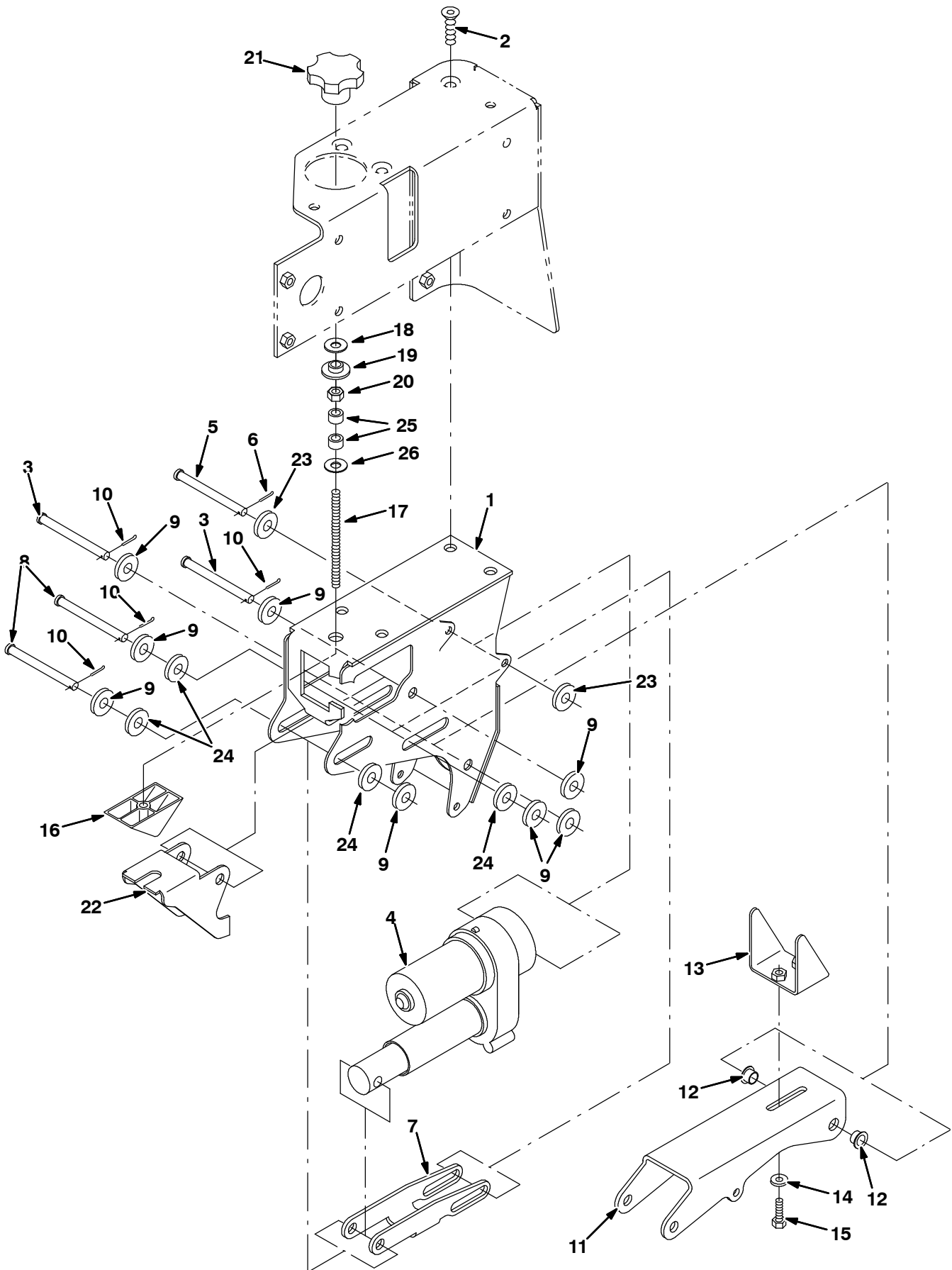


Fig. 12 - Right Side Brush Lift Group

Ref.	Tennant Part No.	Machine Serial Number	Description	Qty.
1	386656	(000000-	) Housing Wldt, Brush, Side	1
2	04373	(000000-	) Screw, Flt, M10 X 1.5 X 20, 10.9	3
3	222196	(000000-	) Pin, Clevis, 0.50 D X 4.00l	2
4	222539	(000000-	) Actuator, 36vdc, 01.8stroke 300lb	1
5	49914	(000000-	) Pin, Clevis, 0.37 D X 4.00l	1
6	39005	(000000-	) Pin, Cotter, .094 X 0.75	1
7	386657	(000000-	) Bracket	1
8	51528	(000000-	) Pin, Clevis, 0.50 D X 4.00l	2
9	32486	(000000-	) Washer, Flt, .50 Std	8
10	08182	(000000-	) Pin, Cotter, .125 X 1.00	4
11	386659	(000000-	) Channel	1
12	15648	(000000-	) Bushing, Flng, 0.50b 0.59d 0.38l	2
13	386660	(000000-	) Bracket	1
14	32491	(000000-	) Washer, Flt, .31 Std	2
15	16931	(000000-	) Screw, Hex, M08 X 1.25 X 20, 8.8	2
16	386658	(000000-	) Block, Adj	1
17	387151	(000000-	) Shaft, Threaded	1
18	64489	(000000-	) Washer, 0.81b 1.24d .03, Stl, Pl	1
19	363087	(000000-	) Spacer, Flanged	1
20	25014	(000000-	) Nut, Hex, Std, M10 X 1.25	1
21	41341	(000000-	) Knob, Plastic	1
22	386909	(000000-	) Bracket, Pivot	1
23	32485	(000000-	) Washer, Flt, .38 Sae	2
24	07450	(000000-	) Bearing, Thrust, 0.66b 1.25d 0.06w	4
25	390879	(000000-	) Sleeve, P/M, 0.625d 0.406b 0.38l 430ss	2
26	32492	(000000-	) Washer, Flat, 0.38 Std	1

Fig. 13 - Right Side Brush Bumper And Electrical Group

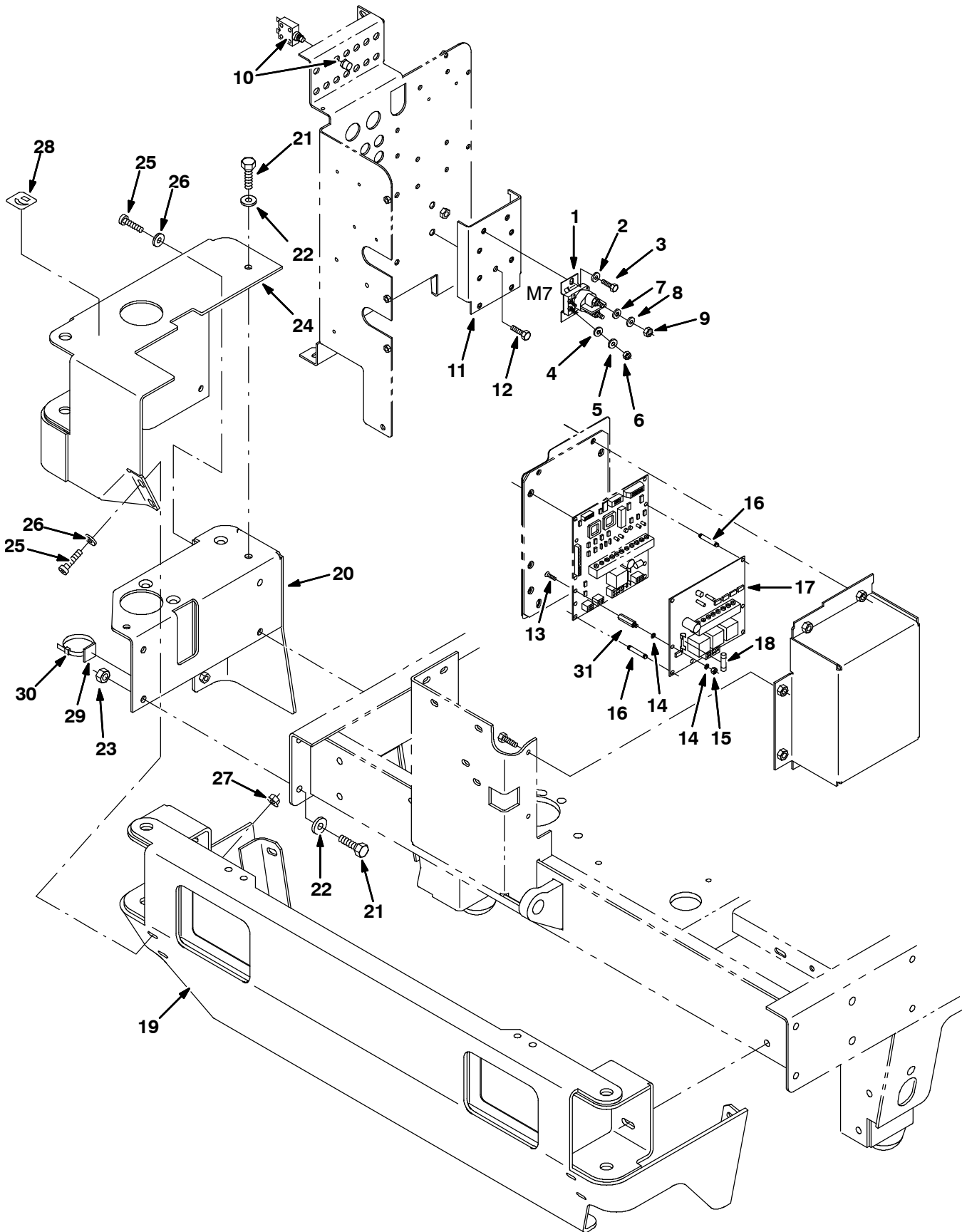




Fig. 13 - Right Side Brush Bumper And Electrical Group

Ref.	Tennant Part No.	Machine Serial Number	Description	Qty.	
1	386810	(000000-	) Relay, 36vdc, 100a, Sp N/O [White]	1	
2	32483	(000000-	) Washer, Flat, .25 Sae	2	
3	06942	(000000-	) Screw, Hex, M06 X 1.0 X 16, 8.8	2	
4	32980	(000000-	) Washer, Lock, Int, #10	2	
5	19066	(000000-	) Washer, Flt, #10	2	
6	01713	(000000-	) Nut, Hex, Std, #10-32, 2	2	
7	32984	(000000-	) Washer, Lock, Int, .31	2	
8	39349	(000000-	) Washer, Flat, .31 Sae	2	
9	01715	(000000-	) Nut, Hex, Std, .31-24	2	
10	383722	(000000-	) Circuitbreaker, 15.0a	2	
11	387452	(000000-	) Plate, Mtg, Contactor	1	
12	41342	(000000-	) Screw, Hex, M08 X 1.25 X 40, 8.8	1	
13	25538	(000000-	) Screw, Flt, #06-32 X 0.38, Al	2	
14	41401	(000000-	) Washer, Lock, Int, #06, Ss	4	
15	75939	(000000-	) Nut, Hex, Lock, #06-32, NI	2	
16	386307	(000000-	) Stand-Off, 1.25, Plstc	5	
▽	17	386308	(000000-	) Circuitboard, Sweeper, [8300]	1
▲	18	45595	(000000-	) Fuse, 010A 032Vdc 0.25D	1
19	387562	(000000-	) Bumper Wldt	1	
20	387531	(000000-	) Bracket, Hsng, Brush	1	
21	09028	(000000-	) Screw, Hex, M10 X 1.5 X 25, Ss	5	
22	01686	(000000-	) Washer, Flat, .38 Ss	5	
23	41430	(000000-	) Nut, Hex, Lock, M10 X 1.5, NI	2	
24	387536	(000000-	) Housing Wldt, Brush	1	
25	223470	(000000-	) Screw, Btn, M08 X 1.25 X 25, Ss	4	
26	01685	(000000-	) Washer, Flat, .31 Ss	4	
27	07791	(000000-	) Nut, Hex, Fing, M08 X 1.25	2	
28	387405	(000000-	) Label, Brush, Side, Adj	1	
29	55248	(000000-	) Mount, Cable Tie	1	
30	49266	(000000-	) Tie, Cable, Nyl, 07.3l .19w 1.8 Max D	2	
31	386806	(000000-	) Stand-Off, 1.25, Metal	2	

Fig. 14 - Left Side Brush Motor And Pivot Group

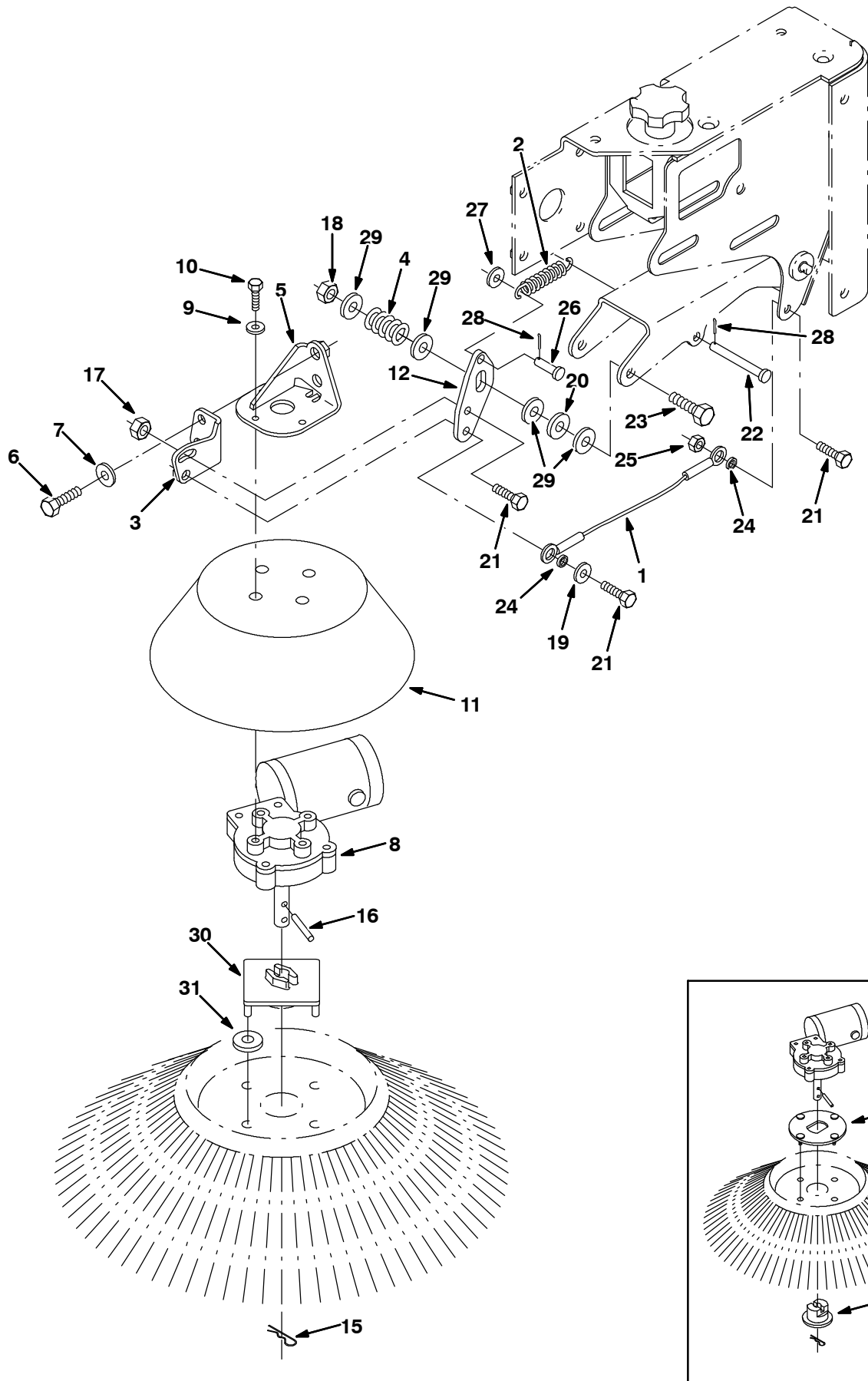


Fig. 14 - Left Side Brush Motor And Pivot Group

Ref.	Tennant Part No.	Machine Serial Number	Description	Qty.	
1	87172	(000000-	) Cable, .13d, 10.0l, .51eye /.51eye	1	
2	09480	(000000-	) Spring, Extn, 1.10od X 0.15wir, 3.2l	1	
3	386668	(000000-	) Bracket, Motor, Mtg	2	
4	360357	(000000-	) Spring, Die, 1.00od 0.50id 1.25l	2	
5	386662	(000000-	) Bracket, Motor, Mtg	1	
6	39283	(000000-	) Screw, Hex, M10 X 1.5 X 25, 8.8	2	
7	32492	(000000-	) Washer, Flat, .38 Std	2	
▽	8	81767	(000000-001823 ) Motor, Ele, 36Vdc, Hp, 0080Rpm, Lh (Rep By 1008275)	1	
▲		81919	(000000-001823 ) Kit, Brush, Motor, Ele	1	
▲		80127	(000000-001823 ) Cap, Brush, Motor, Ele	2	
▲		369795	(000000-001823 ) Brushholder, Motor, Ele	2	
▲		369796	(000000-001823 ) Clip, Motor, Ele	2	
▽	8	1008275	(001824- ) Motor, Ele, 36Vdc 0.08Hp 0068Rpm 04.5A	1	
▲		81919	(001824- ) Kit, Brush, Motor, Ele	1	
▲		80127	(001824- ) Cap, Brush, Motor, Ele	2	
▲		369795	(001824- ) Brushholder, Motor, Ele	2	
▲		369796	(001824- ) Clip, Motor, Ele	2	
	9	01684	(000000-	) Washer, Flt, .25 Ss	4
	10	08716	(000000-	) Screw, Hex, M06 X 1.0 X 20, Ss	4
	11	386666	(000000-	) Guard, Brush, Side	1
	12	386905	(000000-	) Plate	1
	13	386664	(000000-002346 ) Adapter, Brush	1	
	14	386663	(000000-002346 ) Plate, Adapter, Brush	1	
	15	02942	(000000-	) Pin, Hair Cotter, 0.62 D .120 Wir	1
	16	11398	(000000-	) Pin, Roll, .250 D X 2.00l, .250/.256	1
	17	07791	(000000-	) Nut, Hex, Flng, M08 X 1.25	1
	18	08711	(000000-	) Nut, Hex, Lock, M12 X 1.75,NI	1
	19	32491	(000000-	) Washer, Flt, .31 Std	1
	20	86860	(000000-	) Bearing, Thrust	1
	21	39277	(000000-	) Screw, Hex, M08 X 1.25 X 25, 8.8	3
	22	57598	(000000-	) Pin, Clevis, 0.37 D X 3.25l	1
	23	06974	(000000-	) Screw, Hex, M12 X 1.75 X 80, 8.8	1
	24	360801	(000000-	) Sleeve	2
	25	08709	(000000-	) Nut, Hex, Lock, M08 X 1.25,NI	1
	26	04733-2	(000000-	) Pin, Clevis, 0.37 D X 0.62l	1
	27	01685	(000000-	) Washer, Flt, .31 Ss	1
	28	39005	(000000-	) Pin, Cotter, .094 X 0.75	2
	29	32486	(000000-	) Washer, Flt, .50 Sae	4
	30	1017441	(002347-	) Plate, Adapter, Brush	1
	31	1017802	(002347-	) Washer, .625 B, 2.50 Od, .211 T, Ss	4

Fig. 15 - Left Side Brush Lift Group

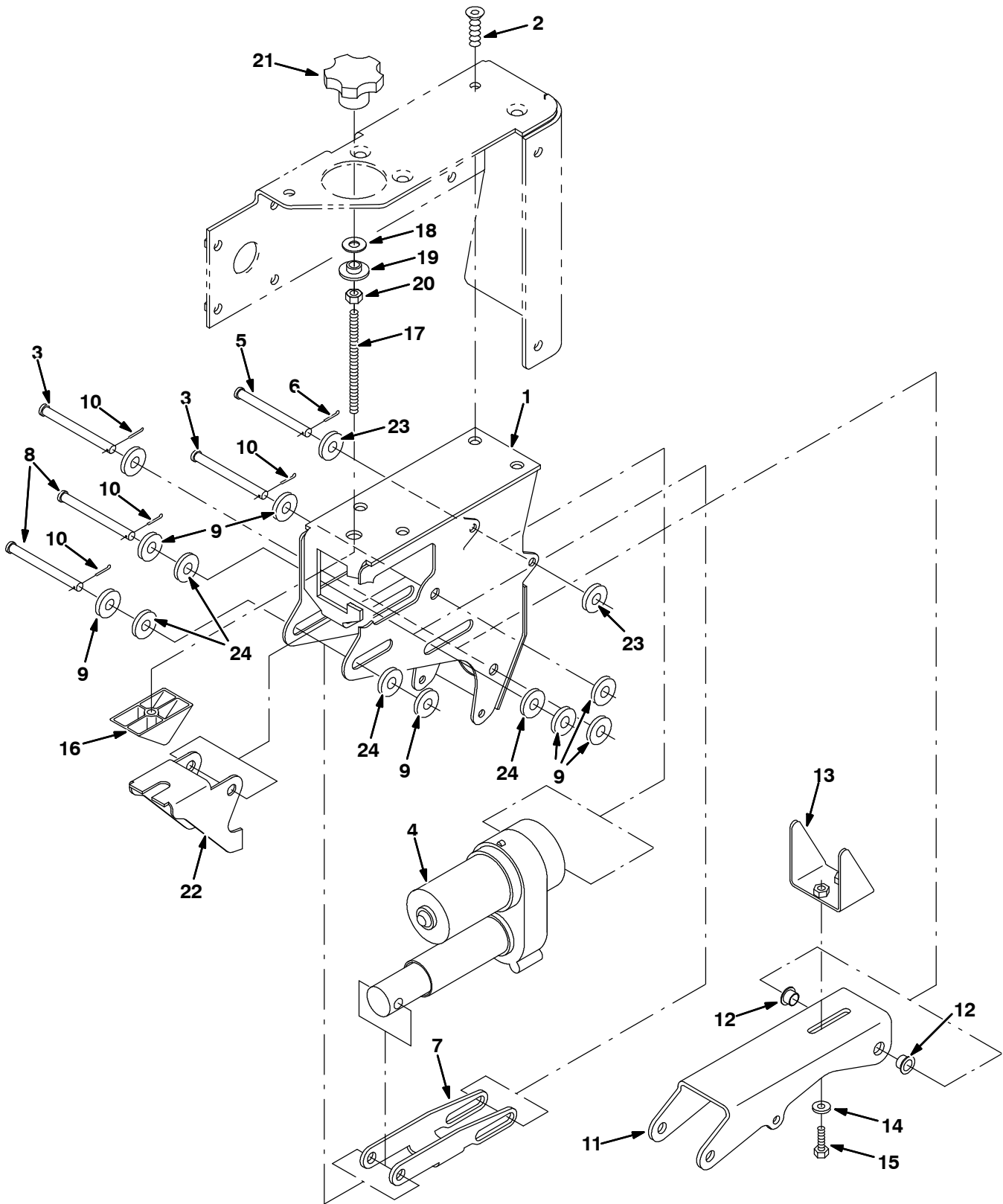
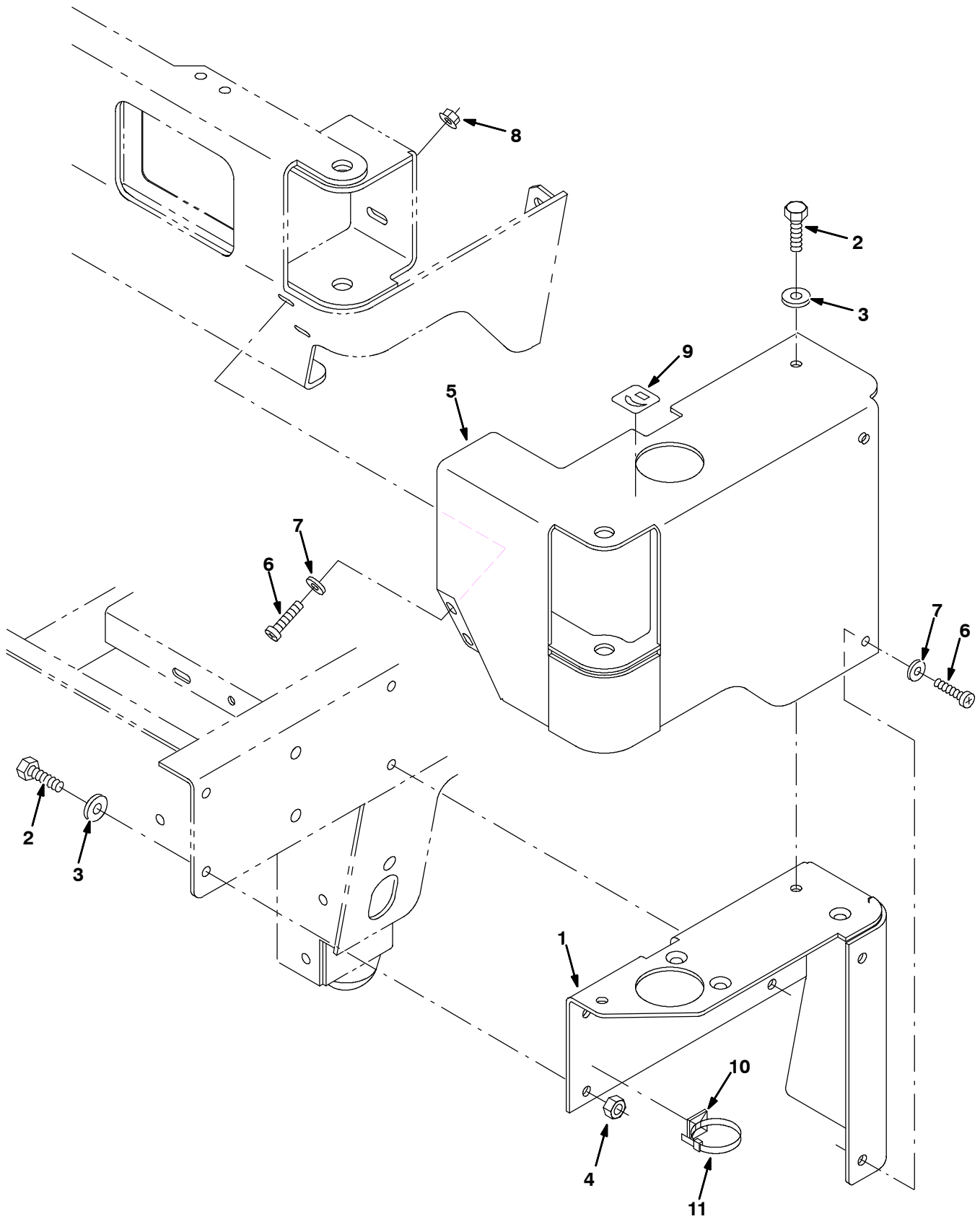


Fig. 15 - Left Side Brush Lift Group

Ref.	Tennant Part No.	Machine Serial Number	Description	Qty.
1	386656	(000000-	) Housing Wldt, Brush, Side	1
2	04373	(000000-	) Screw, Flt, M10 X 1.5 X 20, 10.9	3
3	222196	(000000-	) Pin, Clevis, 0.50 D X 4.00l	2
4	222539	(000000-	) Actuator, 36vdc, 01.8stroke 300lb	1
5	49914	(000000-	) Pin, Clevis, 0.37 D X 4.00l	1
6	39005	(000000-	) Pin, Cotter, .125 X 1.00	1
7	386657	(000000-	) Bracket	1
8	51528	(000000-	) Pin, Clevis, 0.50 D X 4.00l	2
9	32486	(000000-	) Washer, Flt, .50 Std	8
10	08182	(000000-	) Pin, Cotter, .125 X 1.00	4
11	386659	(000000-	) Channel	1
12	15648	(000000-	) Bushing, Flng, 0.50b 0.59d 0.38l	2
13	386660	(000000-	) Bracket	1
14	32491	(000000-	) Washer, Flt, .31 Std	2
15	16931	(000000-	) Screw, Hex, M08 X 1.25 X 20, 8.8	2
16	386658	(000000-	) Block, Adj	1
17	387151	(000000-	) Shaft, Threaded	1
18	64489	(000000-	) Washer, 0.81b 1.24d .03, Stl, Pl	1
19	363087	(000000-	) Spacer, Flanged	1
20	25014	(000000-	) Nut, Hex, Std, M10 X 1.25	1
21	41341	(000000-	) Knob, Plastic	1
22	386909	(000000-	) Bracket, Pivot	1
23	32485	(000000-	) Washer, Flt, .38 Sae	2
24	07450	(000000-	) Bearing, Thrust, 0.66b 1.25d 0.06w	4

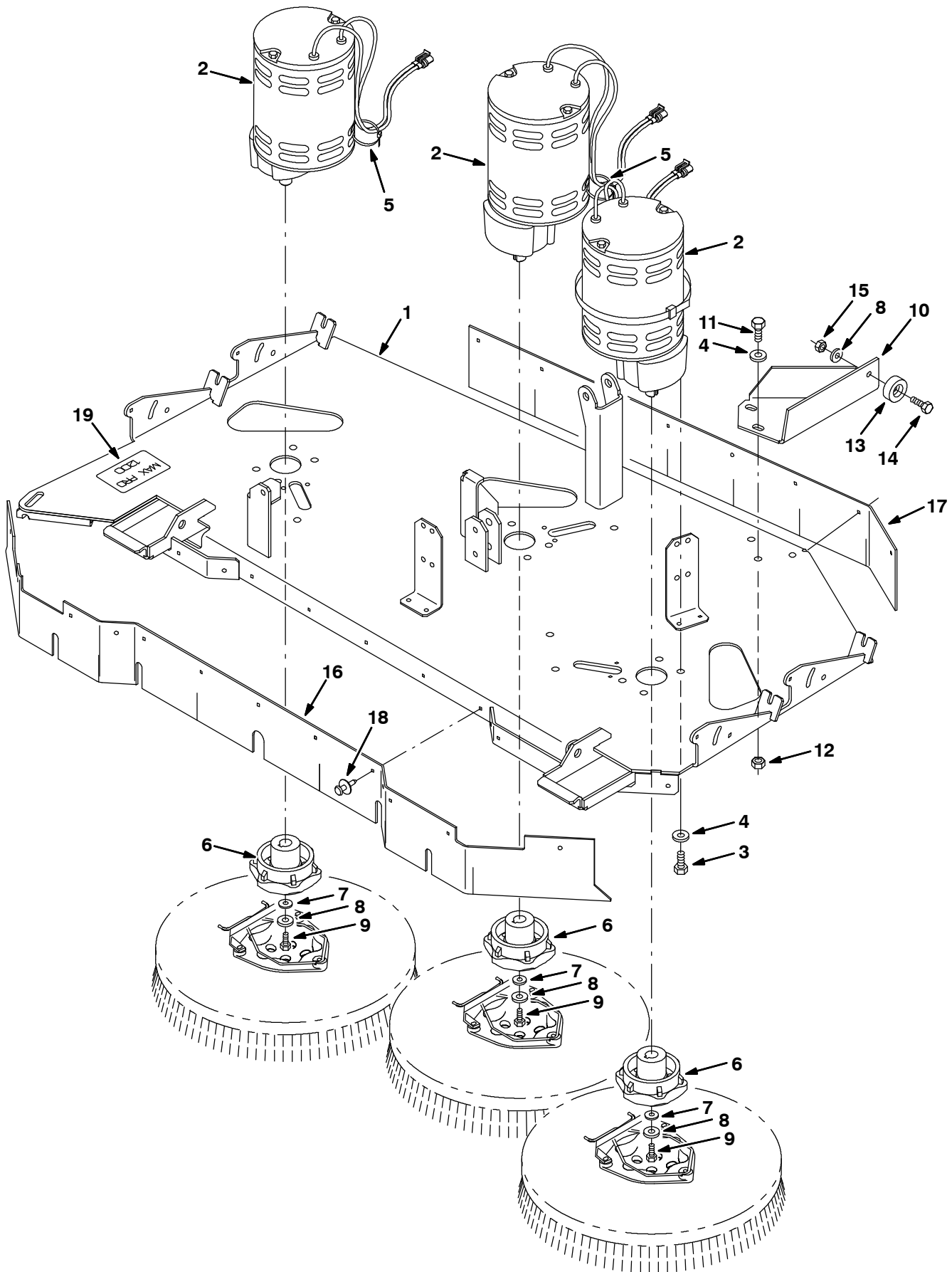
Fig. 16 - Left Side Brush Mount Group



**Fig. 16 - Left Side Brush Mount Group**

<b>Ref.</b>	<b>Tennant Part No.</b>	<b>Machine Serial Number</b>	<b>Description</b>	<b>Qty.</b>
1	387560	(000000-	) Bracket, Hsng, Brush	1
2	09028	(000000-	) Screw, Hex, M10 X 1.5 X 25, Ss	5
3	01686	(000000-	) Washer, Flat, .38 Ss	5
4	41430	(000000-	) Nut, Hex, Lock, M10 X 1.5, NI	2
5	387530	(000000-	) Housing Wldt, Brush	1
6	223470	(000000-	) Screw, Btn, M08 X 1.25 X 25, Ss	4
7	01685	(000000-	) Washer, Flat, .31 Ss	4
8	07791	(000000-	) Nut, Hex, Flng, M08 X 1.25	2
9	387405	(000000-	) Label, Brush, Side, Adj	1
10	55248	(000000-	) Mount, Cable Tie	1
11	49266	(000000-	) Tie, Cable, Nyl, 07.3l .19w 1.8 Max D	2

Fig. 17 - Max Pro 1200 (Disc-Brush) Scrub Head Frame Group





**Fig. 17 - Max Pro 1200 (Disc-Brush) Scrub Head Frame Group**

<b>Ref.</b>	<b>Tennant Part No.</b>	<b>Machine Serial Number</b>	<b>Description</b>	<b>Qty.</b>
1	386816	(000000-	) Frame Wldt, Scb Head, 3-Brush, Ele	1
2	386687	(000000-	) Motor, Gear, Ele, 1.0hp, 36vdc, 300rpm (See Breakdown)	3
3	34195	(000000-	) Screw, Hex, .38-16 X 1.00, NI	12
4	01686	(000000-	) Washer, Flt, .38 Ss	15
5	49263	(000000-	) Tie, Cable, Nyl, 11.4l .19w 3.0 Max D	3
6	377364	(000000-	) Hub, Drive, Brush, Disk, 0.75B 6T	3
7	41186	(000000-	) Washer, Belleville, .31	3
8	01685	(000000-	) Washer, Flt, .31 Ss	4
9	32124	(000000-	) Screw, Hex, .31-18 X 1.00, Ss, NI	3
10	378976	(000000-	) Bracket, Stop, Frame	1
11	09028	(000000-	) Screw, Hex, M10 X 1.5 X 25, Ss	3
12	08714	(000000-	) Nut, Hex, Lock, M10 X 1.5, NI, Ss	3
13	15023	(000000-	) Bumper, Pye	1
14	09010	(000000-	) Screw, Hex, M08 X 1.25 X 25, Ss	1
15	08713	(000000-	) Nut, Hex, Lock, M08 X 1.25,NI, Ss	1
16	386825	(000000-	) Skirt, Front, Scrub Head, 3-Brush, Ele	1
17	386826	(000000-	) Skirt, Rear, Scrub Head, 3-Brush, Ele	1
18	72968	(000000-	) Rivet, Plstc, .250 X 0.898	21
19	365156	(000000-	) Label Set, Info/Hzrd, [Maxpro]	1

Fig. 18 - Max Pro 1200 (Disc-Brush) Scrub Head Linkage Group

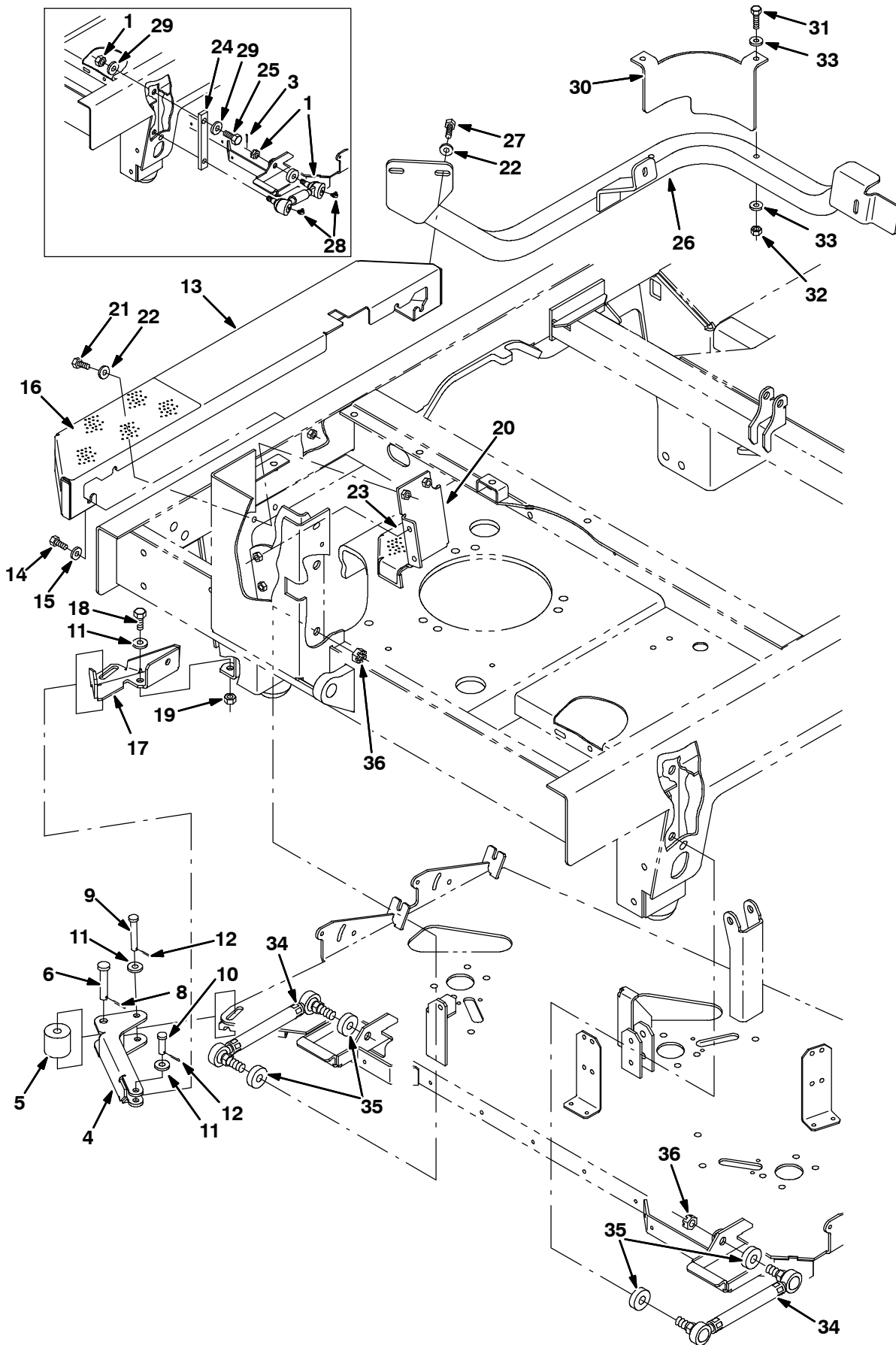
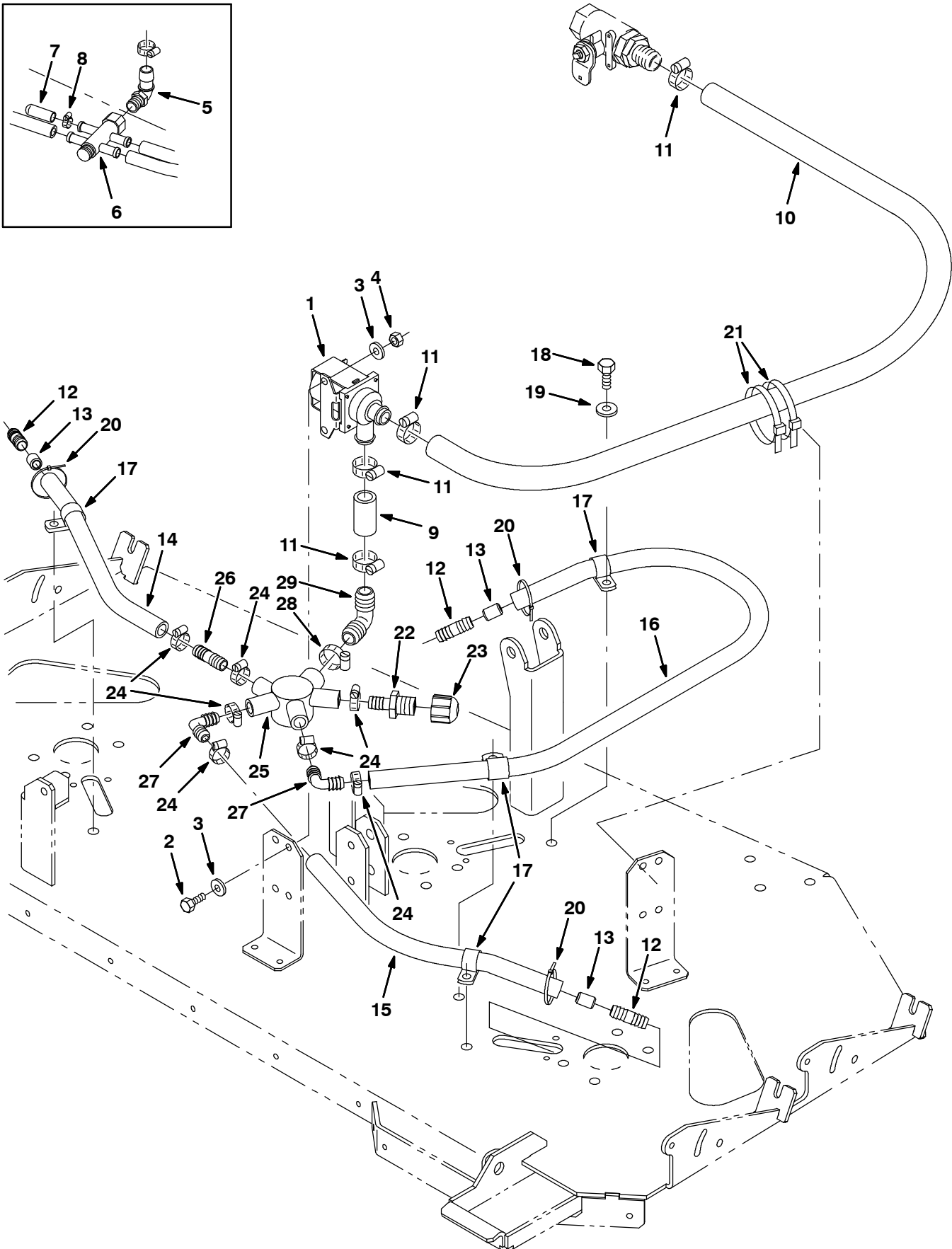


Fig. 18 - Max Pro 1200 (Disc-Brush) Scrub Head Linkage Group

Ref.	Tennant Part No.	Machine Serial Number	Description	Qty.
1	363113	(000000-003695 )	Link Wldt, Head, Drag (Replaced by 9005751)	2
2	14524	(000000-003695 )	Spacer, Washer	2
3	08346	(000000-003695 )	Pin, Cotter, .125 X 0.75	4
4	1001099	(000000- )	Guard, Kick In, Scb Head	1
5	72946	(000000- )	Roller	1
6	06279	(000000- )	Pin, Clevis, 0.50 D X 2.50l	1
7	08711	(000000-003695 )	Nut, Hex, Std, M12 X 2.0	2
8	08182	(000000- )	Pin, Cotter, .125 X 1.00	1
9	365180	(000000- )	Pin, Clevis, 0.38 D X 2.50l	1
10	29557	(000000- )	Pin, Clevis, 0.37 D X 1.31l	1
11	01686	(000000- )	Washer, Flt, .38 Ss	4
12	39005	(000000- )	Pin, Cotter, .094 X 0.75	2
13	386827	(000000- )	Bumper, Side, Scb Head, Wide	1
14	09740	(000000- )	Screw, Hex, M08 X 1.25 X 20, Ss	4
15	32491	(000000- )	Washer, Flt, .31 Std	6
16	387080	(000000- )	Tread, Floor, 12.5 X 5.75	1
17	386876	(000000- )	Bracket, Adaptor, Mtg, Kick In, Frame	1
18	09028	(000000- )	Screw, Hex, M10 X 1.5 X 25, Ss	2
19	08714	(000000- )	Nut, Hex, Lock, M10 X 1.5, NI, Ss	1
20	387162	(000000- )	Bracket	1
21	09740	(000000- )	Screw, Hex, M08 X 1.25 X 20, Ss	4
22	01685	(000000- )	Washer, Flt, .31 Ss	8
23	387230	(000000- )	Tread, Step	1
24	24254	(000000-003695 )	Spacer, Plate	2
25	06969	(000000-003695 )	Screw, Hex, M12 X 1.75 X 40, 8.8	2
26	387245	(000000- )	Guard Wldt, Sqge (MP 20)	1
27	09010	(000000- )	Screw, Hex, M08 X 1.25 X 25, Ss	4
28	09718	(000000-003695 )	Fitting, Grease, E90 Pm04 .75L	4
29	32486	(000000-003695 )	Washer, Flt, .50 Sae	4
30	1007486	(000000- )	Guard, Bumper	1
31	49694	(000000- )	Screw, Hex, M 8 X 1.25 X 50, Ss	2
32	08713	(000000- )	Nut, Hex, Lock, M 8 X 1.25, NI, Ss	2
33	01685	(000000- )	Washer, Flat, 0.31 Ss	2
34	1050193	(000000- )	Link Assy, Rod-End, .63-18	2
35	386081	(000000- )	Tube, 0.69Id 1.25Od 00.4L, Blk, Rod-End	4
36	40814	(000000- )	Nut, Hex, Lock, .62-18, NI, Thin	4

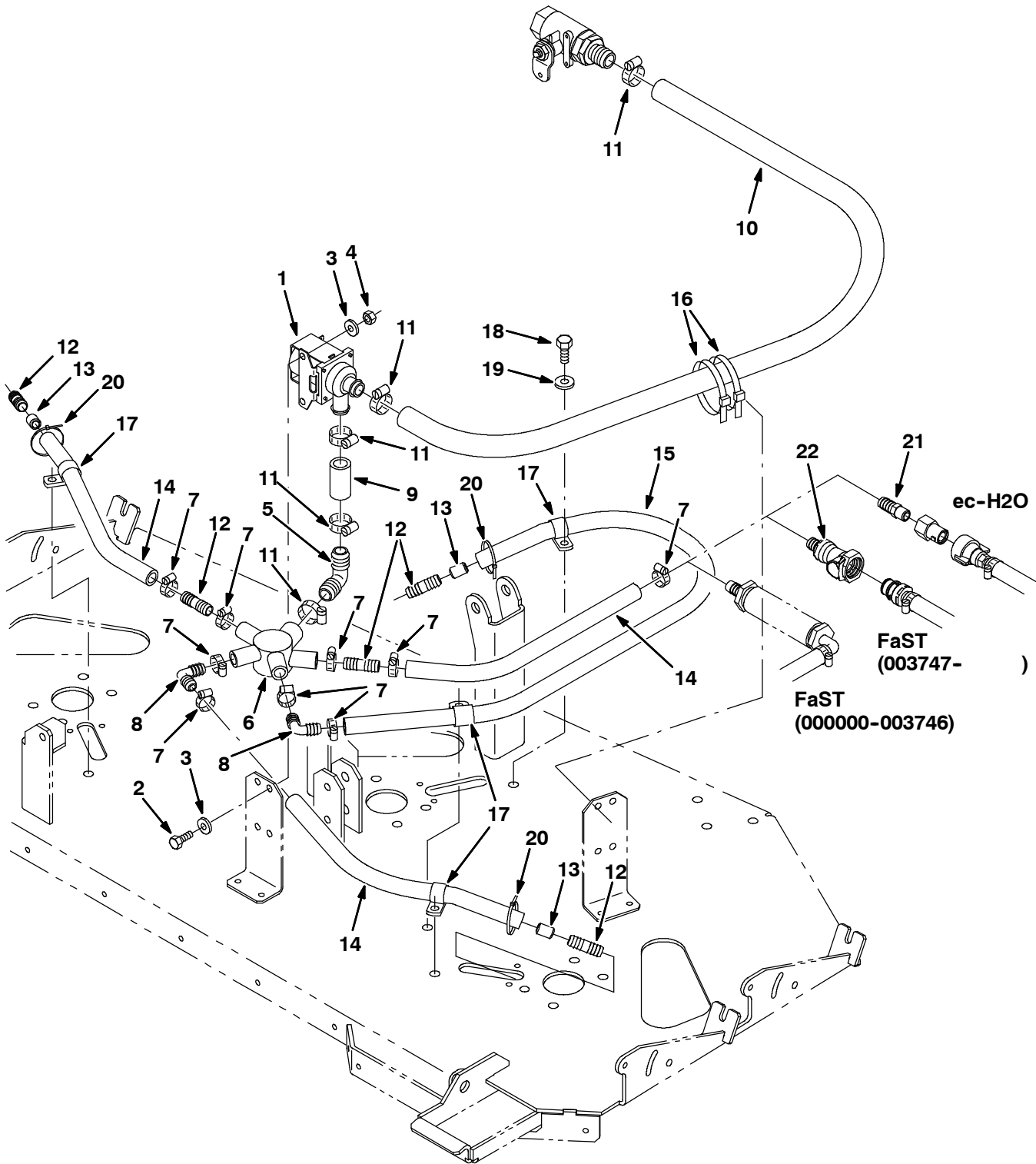
Fig. 19 - Max Pro 1200 (Disc-Brush) Solution Valve Group



**Fig. 19 - Max Pro 1200 (Disc-Brush) Solution Valve Group**

<b>Ref.</b>	<b>Tennant Part No.</b>	<b>Machine Serial Number</b>	<b>Description</b>	<b>Qty.</b>
1	84028	(000000-	) Valve, Water	1
2	15678	(000000-	) Screw, Hex, M06 X 1.0 X 16, Ss	2
3	32490	(000000-	) Washer, Flt, .25 Std	4
4	08712	(000000-	) Nut, Hex, Lock, M06 X 1.0, NI, Ss	2
5	63244-2	(000000-001986	) Fitting, Plstc, E90, Bm12/Pm08	1
6	72950	(000000-001986	) Manifold, Plastic	1
7	20807	(000000-001986	) Cap, Neoprene Black	1
8	54333	(000000-001986	) Clamp, Hose, Wormdrive, 0.31-0.88d	1
9	16914	(000000-	) Hose, Pvc, Brd, 0.75id 1.00od 02.00l	1
10	73474	(000000-	) Hose, Pvc, Brd, 0.75id 1.00od 44.50l	1
11	63810	(000000-	) Clamp, Hose, Wormdrive, 0.56-1.06d, .56w	4
12	364631	(000000-	) Fitting, Plstc, Str, Bm08/Bm08	3
13	77334	(000000-	) Fitting, Plstc, Rst, .50od/.31id	3
14	49142	(000000-	) Hose, Pvc, Brd, 0.50id 0.80od 18.00l	1
15	223515	(000000-	) Hose, Pvc, Brd, 0.50id 0.75od 14.00l	1
16	385682	(000000-	) Hose, Pvc, Brd, 0.50id 0.73od 33.00l	1
17	67767	(000000-	) Clamp, Cable, Stl, 0.69d X 0.62w, 1h	4
18	12273	(000000-	) Screw, Hex, M08 X 1.25 X 20, Ss, NI	4
19	01685	(000000-	) Washer, Flt, .31 Ss	4
20	49266	(000000-	) Tie, Cable, Nyl, 07.3l .19w 1.8 Max D	3
21	44961	(000000-	) Tie, Cable, Nyl, 14.5l .30w 4.0 Max D	2
22	79273-4	(001987-	) Fitting, Plstc, Str, Bm08/Pm08	1
23	1015558	(001987-	) Fitting, Plstc, Cap, Pf08	1
24	54333	(001987-	) Clamp, Hose, Wormdrive, 0.31-0.88d	7
25	1012528	(001987-	) Manifold, Soltn, Cntrl	1
26	364631	(001987-	) Fitting, Plstc, Str, Bm08/Bm08	1
27	63987-1	(001987-	) Fitting, Plstc, E90, Bm08/Bm08	2
28	86824	(001987-	) Clamp, Hose, Wormdrive, 0.50-1.06d	1
29	40566	(001987-	) Fitting, Plstc, E90, Bm12/Bm12	1

**Fig. 20 - Max Pro 1200 (Disc-Brush) Solution Valve Group (FaST/ec-H2O)**



**Fig. 20 - Max Pro 1200 (Disc-Brush) Solution Valve Group (FaST/ec-H2O)**

<b>Ref.</b>	<b>Tennant Part No.</b>	<b>Machine Serial Number</b>	<b>Description</b>	<b>Qty.</b>
1	84028	(000000-	) Valve, Water	1
2	15678	(000000-	) Screw, Hex, M06 X 1.0 X 16, Ss	2
3	32490	(000000-	) Washer, Flt, .25 Std	4
4	08712	(000000-	) Nut, Hex, Lock, M06 X 1.0, NI, Ss	2
5	40566	(000000-	) Fitting, Plstc, E90, Bm12/Bm12	1
6	1012528	(000000-	) Manifold, Soltn, Cntrl	1
7	54333	(000000-	) Clamp, Hose, Wormdrive, 0.31-0.88d	9
8	63987-1	(000000-	) Fitting, Plstc, E90, Bm08/Bm08	2
9	1015048	(000000-	) Hose, Afmkt, Pvc, Brd 0.75id 1 Ft	1
10	1015045	(000000-	) Hose, Afmkt, Pvc, Brd 0.75id 8 Ft	1
11	63810	(000000-	) Clamp, Hose, Wormdrive, 0.56-1.06d, .56w	5
12	364631	(000000-	) Fitting, Plstc, Str, Bm08/Bm08	5
13	77334	(000000-	) Fitting, Plstc, Rst, .50od/.31id	3
14	1011521	(000000-	) Hose, Afmkt Replmt, Pvc, Brd 0.50id 2 Ft	3
15	1006401	(000000-	) Hose, Afmkt Replmt, Pvc, Brd 0.50id 3 Ft	1
16	44961	(000000-	) Tie, Cable, Nyl, 14.5l .30w 4.0 Max D	2
17	67767	(000000-	) Clamp, Cable, Stl, 0.69d X 0.62w, 1h	4
18	12273	(000000-	) Screw, Hex, M08 X 1.25 X 20, Ss, NI	4
19	01685	(000000-	) Washer, Flt, .31 Ss	4
20	49266	(000000-	) Tie, Cable, Nyl, 07.3l .19w 1.8 Max D	3
21	48610	(000000-	) Fitting, Plstc, Str, Bm08/Pm04 (ec-H2O)	1
22	1017413	(003747-	) Housing, Cplg, Qf / Pm08 (FaST)	1

Fig. 21 - Max Pro 1200 (Disc-Brush) Edge Scrub Group

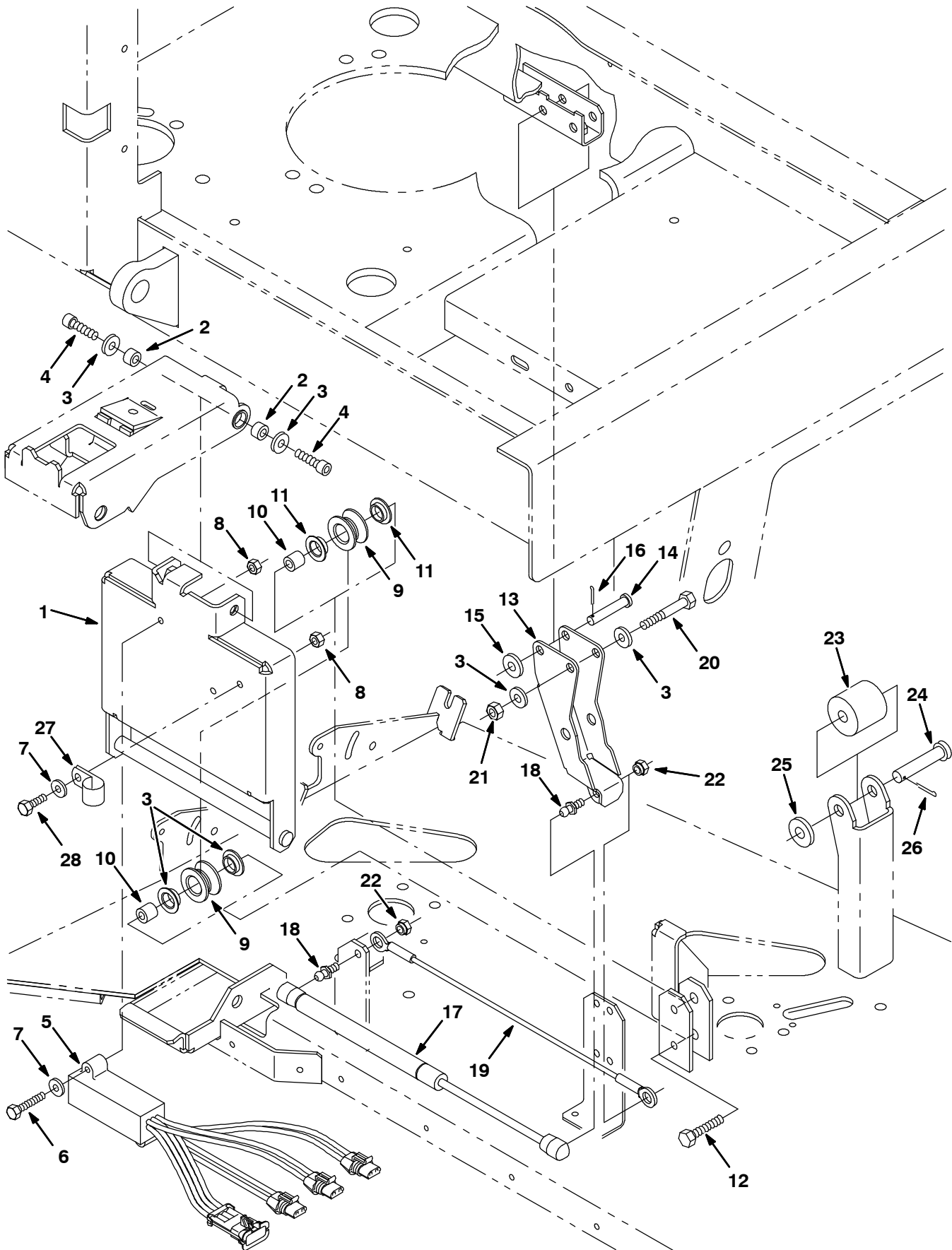




Fig. 21 - Max Pro 1200 (Disc-Brush) Edge Scrub Group

Ref.	Tennant Part No.	Machine Serial Number	Description	Qty.
1	386043	(000000-	) Rail Wldt, Lift, Disk Head	1
2	222556	(000000-	) Sleeve	2
3	01685	(000000-	) Washer, Flt, .31 Ss	4
4	39308	(000000-	) Screw, Hex, M08 X 1.25 X 25, Ss, NI	2
5	363238	(000000-	) Shunt, 3 Std Mtrs, Scrub 515, Yellow	1
6	33930	(000000-	) Screw, Hex, M06 X 1.0 X 40, Ss	2
7	01684	(000000-	) Washer, Flt, .25 Ss	3
8	08712	(000000-	) Nut, Hex, Lock, M06 X 1.0, NI, Ss	3
9	363120	(000000-	) Roller	2
10	222277	(000000-	) Sleeve	2
11	04843	(000000-	) Bushing, Flng, 0.63b 0.72d 0.25l	4
12	222505	(000000-	) Screw, Hex, M08 X 1.25 X 45, Ss	2
13	386048	(000000-	) Arm Wldt, Pivot, Side, [7300/8300]	1
14	29584	(000000-	) Pin, Clevis, 0.37 D X 2.00l	1
15	01686	(000000-	) Washer, Flt, .38 Ss	1
16	39005	(000000-	) Pin, Cotter, .094 X 0.75	1
17	364858	(000000-	) Gasspring, 56lb, 6.3strk	1
18	58494	(000000-	) Stud, Ball, .39d .31-16, Gasspring	2
19	364404	(000000-	) Cable, .13d, 15.5l, .50eye /.50eye	1
20	77270	(000000-	) Screw, Hex, M08 X 1.25 X 60, Ss	1
21	08713	(000000-	) Nut, Hex, Lock, M08 X 1.25,NI, Ss	1
22	14725	(000000-	) Nut, Retainer, .31-18	2
23	72946	(000000-	) Roller	1
24	06279	(000000-	) Pin, Clevis, 0.50 D X 2.50l	1
25	32493	(000000-	) Washer, Flt, .50 Std	1
26	08182	(000000-	) Pin, Cotter, .125 X 1.00	1
27	67767	(000000-	) Clamp, Cable, Stl, 0.69d X 0.62w, 1h	1
28	08716	(000000-	) Screw, Hex, M06 X 1.0 X 20, Ss	1

Fig. 22 - Max Pro 1200 (Disc-Brush) Right Side Squeegee Group

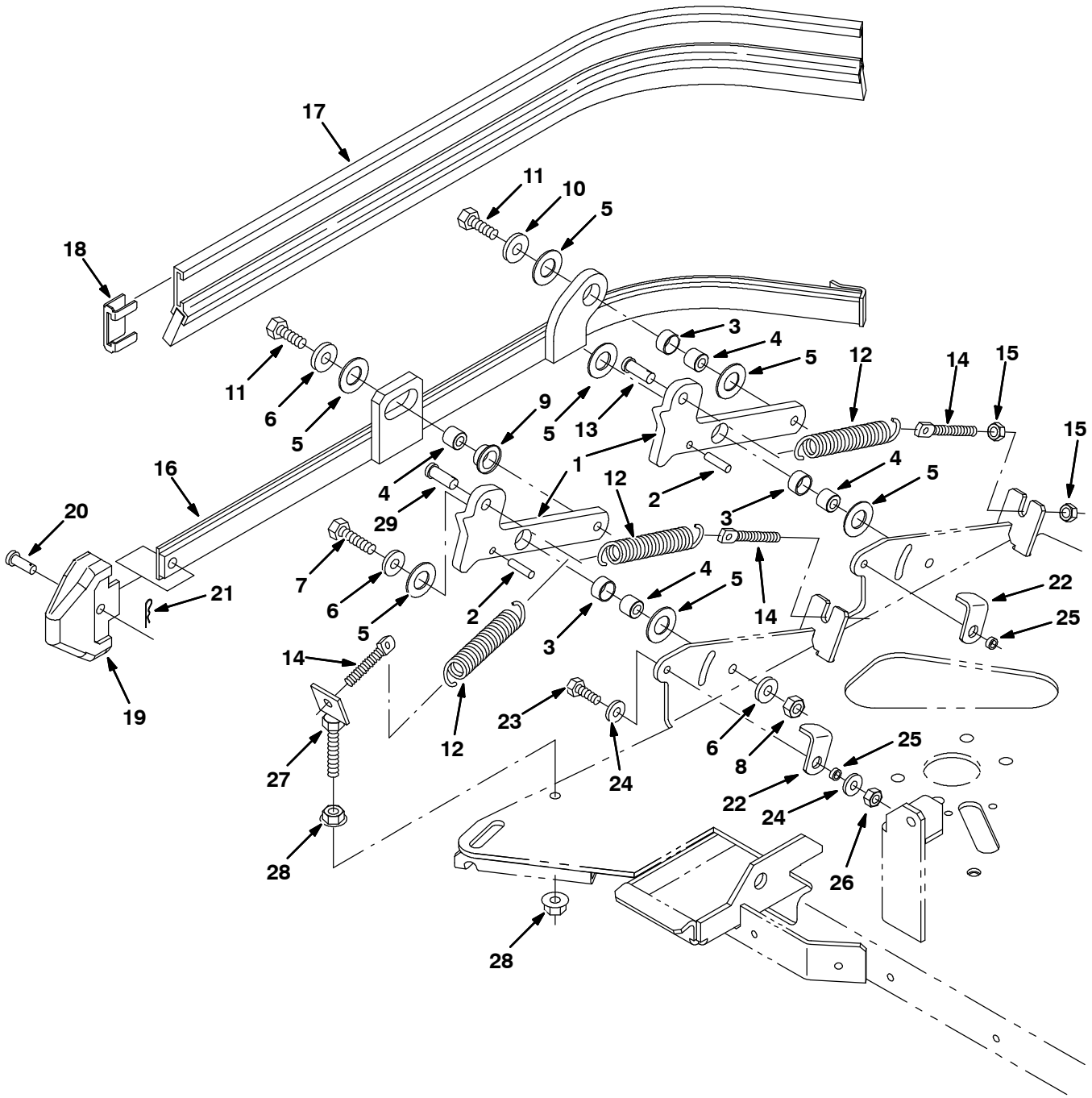
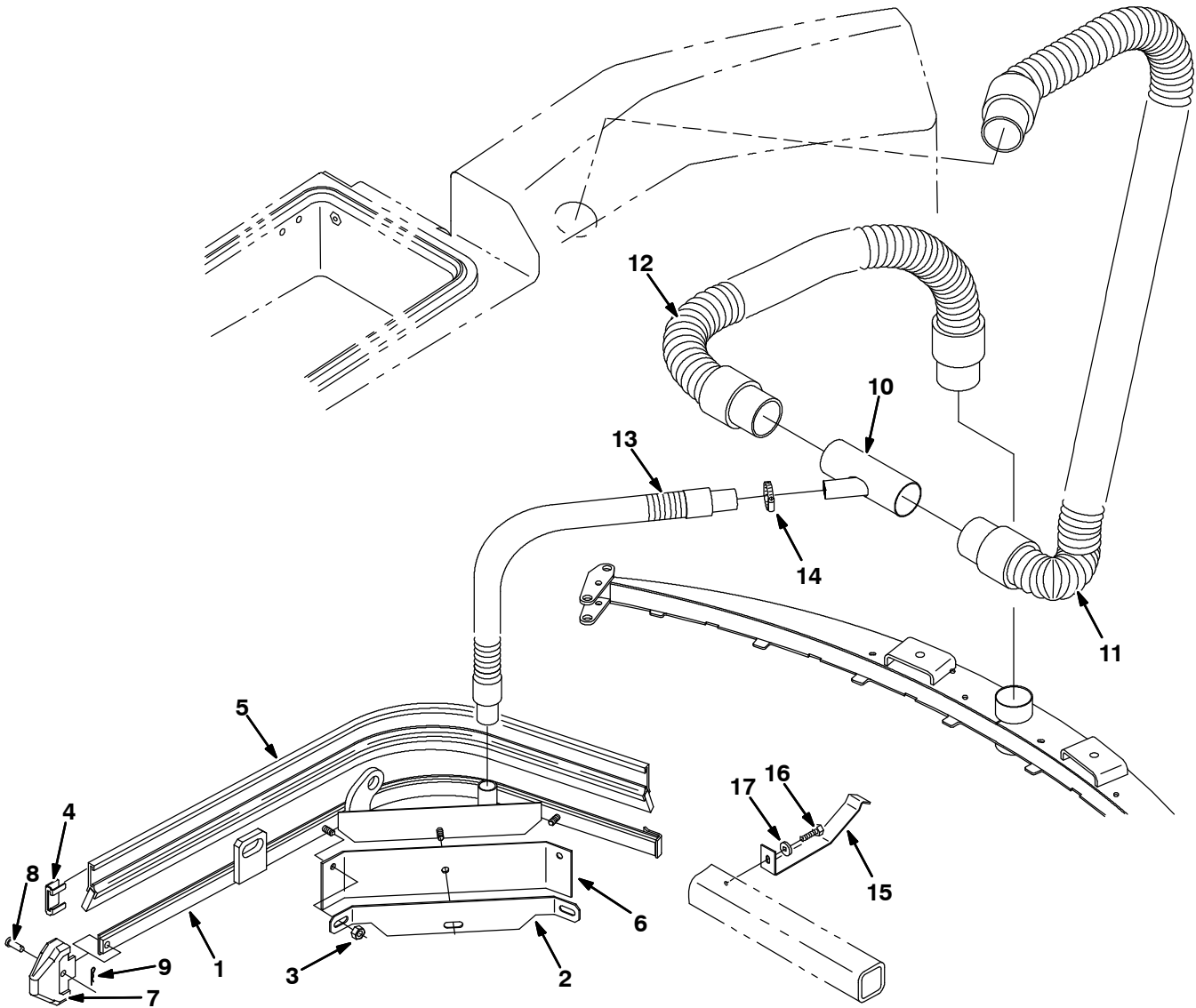


Fig. 22 - Max Pro 1200 (Disc-Brush) Right Side Squeegee Group

Ref.	Tennant Part No.	Machine Serial Number	Description	Qty.
1	386390	(000000-	) Arm, Mtg, Side Sqge Frame, Ele	2
2	17404	(000000-	) Pin, Roll, .250 D X 0.75l, .250/.256	2
3	71607	(000000-	) Bushing, Sleeve, 0.63b 0.72d 0.38l	3
4	386356	(000000-	) Sleeve, .335b X .62d X .52l, Sst	4
5	64425	(000000-	) Washer, Thrust, 0.61b 1.25d .06, Fgl	7
6	01685	(000000-	) Washer, Flt, .31 Ss	5
7	09023	(000000-	) Screw, Hex, M08 X 1.25 X 35, Ss	2
8	08713	(000000-	) Nut, Hex, Lock, M08 X 1.25,NI, Ss	2
9	25735	(000000-	) Bushing, Flng, 0.63b 0.75d 0.38l	1
10	01686	(000000-	) Washer, Flt, .38 Ss	2
11	12333	(000000-	) Screw, Hex, M08 X 1.25 X 25, Ss, NI	2
12	87816	(000000-	) Spring, Extn, 0.75od X 0.09wir, 2.5l	3
13	76653	(000000-	) Pin, Clevis, 0.37 D X 1.00l	1
14	386088	(000000-	) Bolt, Eye, M8 X 1.25, 2.75l	3
15	07786	(000000-	) Nut, Hex, Std, M08 X 1.25, Ss	6
16	386263	(000000-	) Frame Wldt, Sqge, Side, Rh	1
17	386260	(000000-	) Squeegee, Side	1
18	86759	(000000-	) Retainer, Sqge	1
19	386986	(000000-	) Guide, Point, Side Sqge	1
20	386987	(000000-	) Pin, Clevis, 0.31d 0.88l	1
21	86866	(000000-	) Pin, Hair Cotter, 0.38 D .072 Wir	1
22	386391	(000000-	) Latch, Double Scrub, Side Sqge	2
23	08716	(000000-	) Screw, Hex, M06 X 1.0 X 20, Ss	2
24	01684	(000000-	) Washer, Flt, .25 Ss	4
25	80491	(000000-	) Sleeve	2
26	08712	(000000-	) Nut, Hex, Lock, M06 X 1.0, NI, Ss	2
27	1007632	(000000-	) Bracket Wldt, Mtg, Spring	1
28	27980	(000000-	) Nut, Hex, Flng, .38-16	2
29	29568	(000000-	) Angle, 1.00 0.75 .12t 00.8l Hr	1

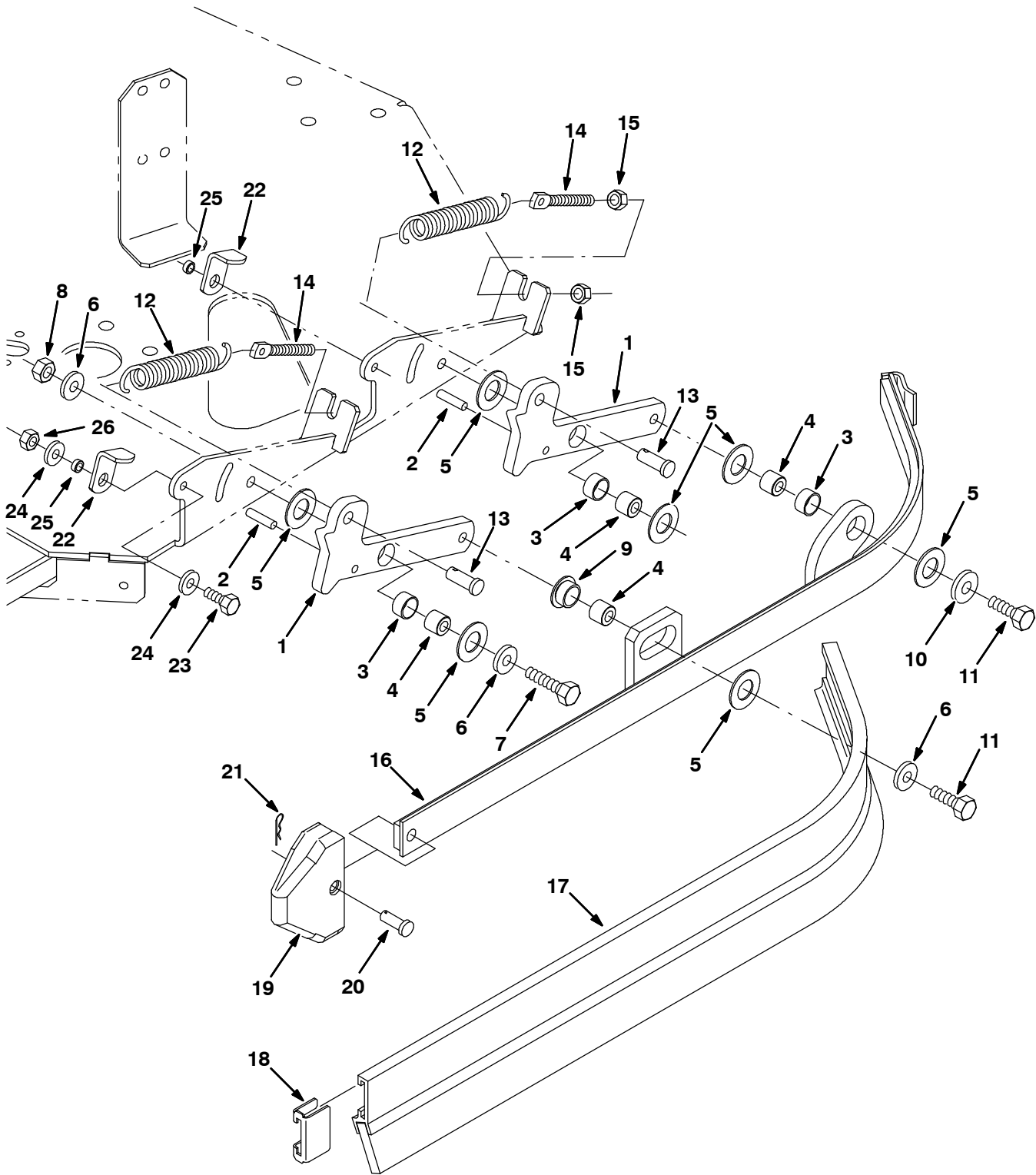
Fig. 23 - Max Pro 1200 (Disc-Brush) Right Side Vacuumized Squeegee Group



**Fig. 23 - Max Pro 1200 (Disc-Brush) Right Side Vacuumized Squeegee Group**

<b>Ref.</b>	<b>Tennant Part No.</b>	<b>Machine Serial Number</b>	<b>Description</b>	<b>Qty.</b>
1	387509	(000000-	) Frame Assy, Sqge, Side, Vacuum, Rh	1
2	387516	(000000-	) Retainer, Blade, Front	1
3	08713	(000000-	) Nut, Hex, Lock, M08 X 1.25,NI, Ss	3
4	86759	(000000-	) Retainer, Sqge	1
5	387545	(000000-	) Blade Assy, Sqge, Side	1
6	387546	(000000-	) Blade, Squeegee	1
7	386986	(000000-	) Guide, Point, Side Sqge	1
8	386987	(000000-	) Pin, Clevis, 0.31 D X 0.88l	1
9	86866	(000000-	) Pin, Hair Cotter, 0.38 D .072 Wir	1
10	386518	(000000-	) Tube Wldt	1
11	386514	(000000-001702	) Hose, Vacuum, 58.5l	1
11	1005133	(001703-	) Hose Assy, W/2cuff, 2.0d 75l	1
12	387256	(000000-001702	) Hose, Vacuum, 35.0l	1
12	1005135	(001703-	) Hose Assy, W/2cuff, 2.0d 26l	1
13	387517	(000000-001702	) Hose Assy, W/2 Cuff, 1.0d 41.0l	1
13	398802	(001703-	) Hose Assy, W/2 Cuff, 1.0D 44L 1.0/1.0	1
14	11399	(000000-	) Clamp, Hose, Wormdrive, 0.81-1.50d	1
15	1002464	(001703-	) Bracket, Tube , Tee	1
16	361339	(001703-	) Screw, Hex, M 6 X 1.0 X 16, Fmg	1
17	32483	(001703-	) Washer, Flat, 0.25 Sae	1

Fig. 24 - Max Pro 1200 (Disc-Brush) Left Side Squeegee Group



**Fig. 24 - Max Pro 1200 (Disc-Brush) Left Side Squeegee Group**

<b>Ref.</b>	<b>Tennant Part No.</b>	<b>Machine Serial Number</b>	<b>Description</b>	<b>Qty.</b>
1	386390	(000000-	) Arm, Mtg, Side Sqge Frame, Ele	2
2	17404	(000000-	) Pin, Roll, .250 D X 0.75l, .250/.256	2
3	71607	(000000-	) Bushing, Sleeve, 0.63b 0.72d 0.38l	3
4	386356	(000000-	) Sleeve, .335b X .62d X .52l, Sst	4
5	64425	(000000-	) Washer, Thrust, 0.61b 1.25d .06, Fgl	7
6	01685	(000000-	) Washer, Flt, .31 Ss	5
7	09023	(000000-	) Screw, Hex, M08 X 1.25 X 35, Ss	2
8	08713	(000000-	) Nut, Hex, Lock, M08 X 1.25, NI, Ss	2
9	25735	(000000-	) Bushing, Flng, 0.63b 0.75d 0.38l	1
10	01686	(000000-	) Washer, Flt, .38 Ss	2
11	12333	(000000-	) Screw, Hex, M08 X 1.25 X 25, Ss, NI	2
12	87816	(000000-	) Spring, Extn, 0.75od X 0.09wir, 2.5l	2
13	76653	(000000-	) Pin, Clevis, 0.37 D X 1.00l	2
14	386088	(000000-	) Bolt, Eye, M8 X 1.25, 2.75l	2
15	07786	(000000-	) Nut, Hex, Std, M08 X 1.25, Ss	4
16	386262	(000000-	) Frame Wldt, Sqge, Side, Lh	1
17	386260	(000000-	) Squeegee, Side	1
18	86759	(000000-	) Retainer, Sqge	1
19	386986	(000000-	) Guide, Point, Side Sqge	1
20	386987	(000000-	) Pin, Clevis, 0.31d 0.88l	1
21	86866	(000000-	) Pin, Hair Cotter, 0.38 D .072 Wir	1
22	386391	(000000-	) Latch, Double Scrub, Side Sqge	2
23	08716	(000000-	) Screw, Hex, M06 X 1.0 X 20, Ss	2
24	01684	(000000-	) Washer, Flt, .25 Ss	4
25	80491	(000000-	) Sleeve	2
26	08712	(000000-	) Nut, Hex, Lock, M06 X 1.0, NI, Ss	2

Fig. 25 - Max Pro 1000 (Cylindrical Brush) Scrub Head Frame and Linkage Group

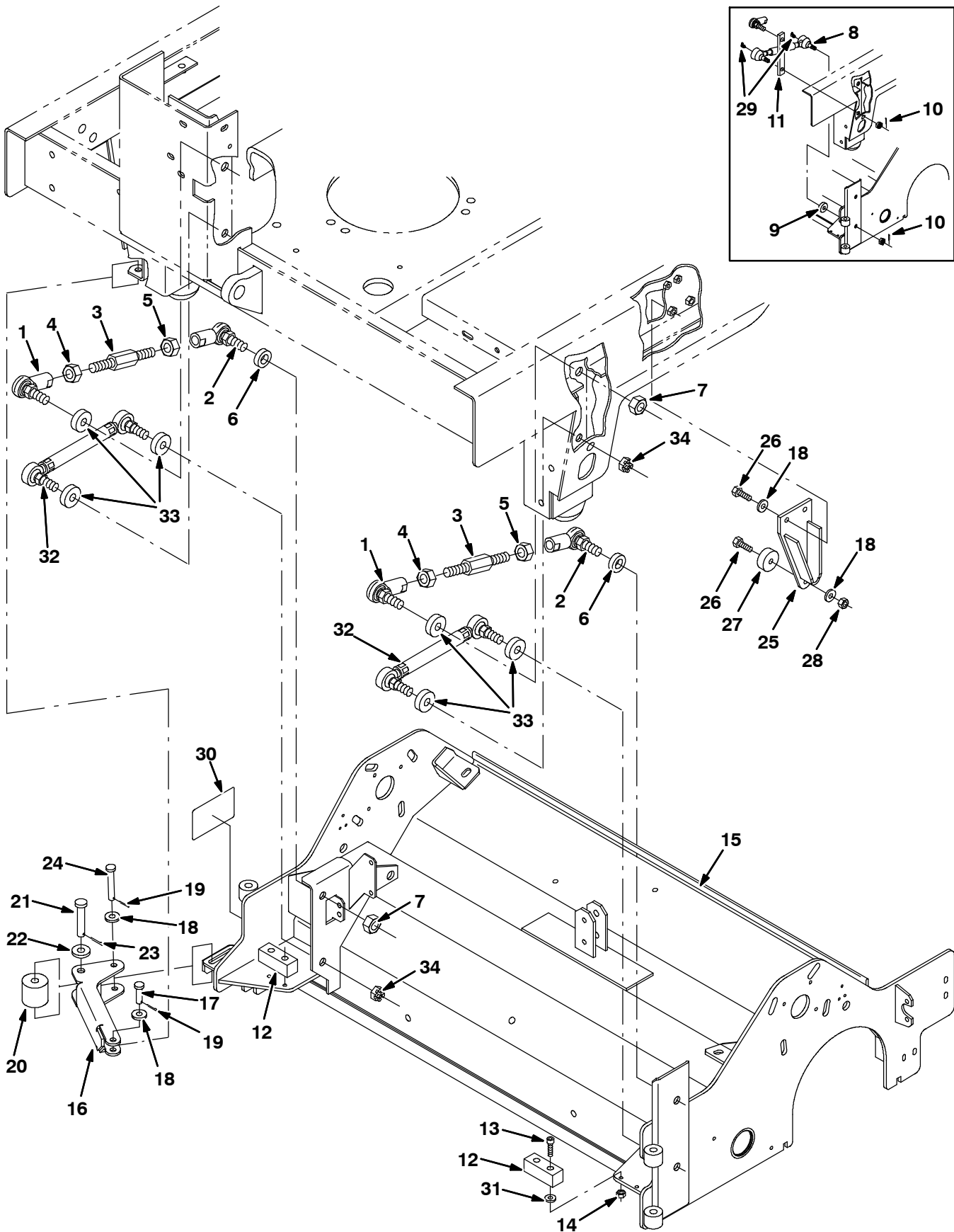
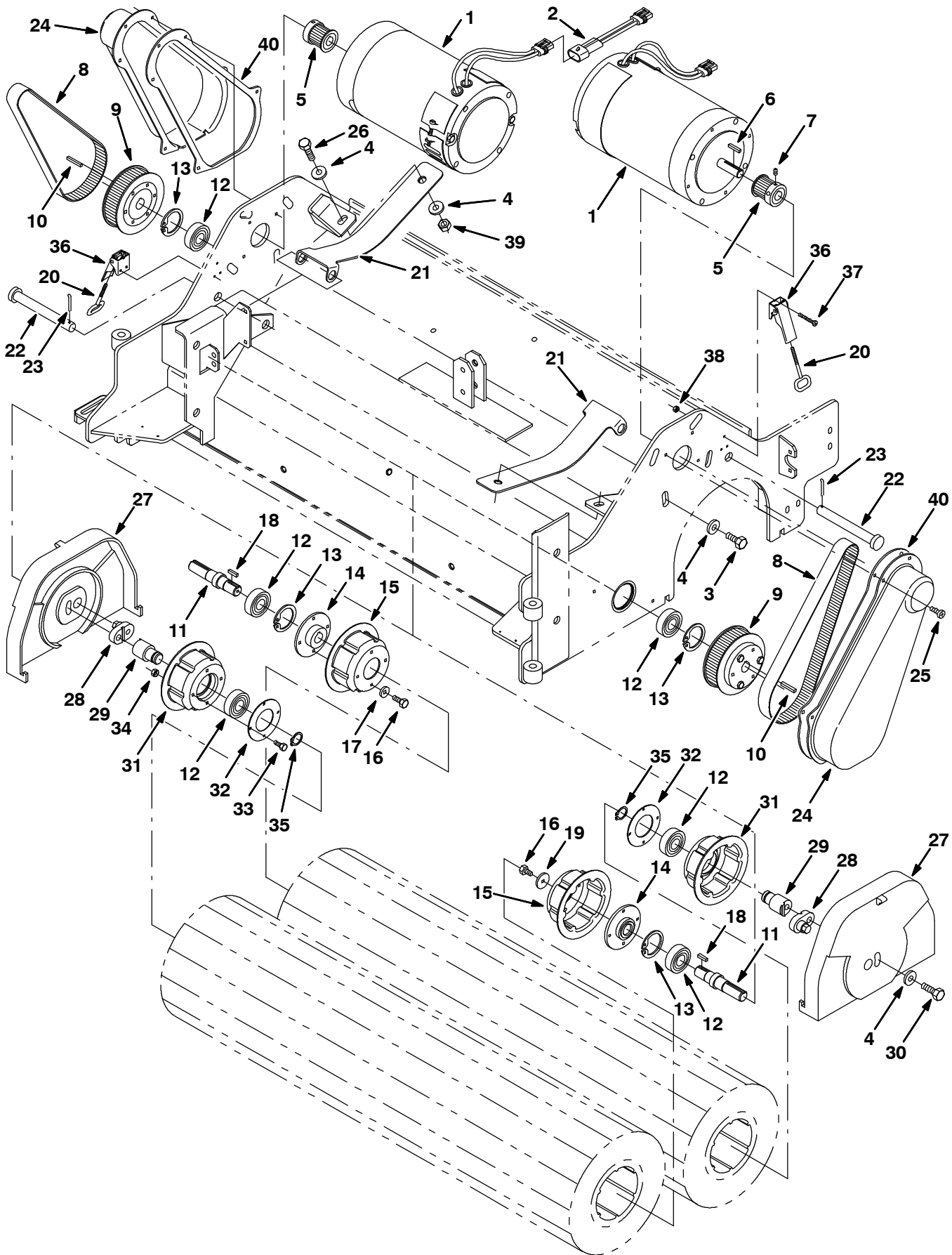




Fig. 25 - Max Pro 1000 (Cylindrical Brush) Scrub Head Frame and Linkage Group

Ref.	Tennant Part No.	Machine Serial Number	Description	Qty.
1	77275	(000000-	) Rod-End, .62-18rh Fem 0.50-18stud	2
2	386070	(000000-	) Rod-End, .625-18, Lh	2
3	386071	(000000-	) Rod, Link	2
4	77276	(000000-	) Nut, Hex, Jam, .62-18, Ss	2
5	77277	(000000-	) Nut, Hex, Jam, .62-18, Ss, Lh	2
6	386081	(000000-	) Spacer, Rod-End	2
7	40814	(000000-	) Nut, Hex, Lock, .62-18, NI, Thin	4
8	363113	(000000-003695	) Link Wldt, Head, Drag (Replaced by 9005751)	2
9	14524	(000000-003695	) Spacer, Washer	2
10	08346	(000000-003695	) Pin, Cotter, .125 X 0.75	4
11	386844	(000000-003695	) Spacer, Plate	2
12	386865	(000000-	) Bumper	2
13	24198	(000000-	) Screw, Pan, M05 X 0.8 X 25, Ss	4
14	09739	(000000-	) Nut, Hex, Lock, M05 X 0.8, NI, Ss	4
15	386099	(000000-	) Housing Wldt, Brush	1
16	1001099	(000000-	) Guard, Kick In, Scb Head	1
17	29557	(000000-	) Pin, Clevis, 0.37 D X 1.31l	1
18	01686	(000000-	) Washer, Flt, .38 Ss	5
19	39005	(000000-	) Pin, Cotter, .094 X 0.75	2
20	72946	(000000-	) Roller	1
21	06279	(000000-	) Pin, Clevis, 0.50 D X 2.50l	1
22	32493	(000000-	) Washer, Flt, .50 Std	1
23	08182	(000000-	) Pin, Cotter, .125 X 1.00	1
24	365180	(000000-	) Pin, Clevis, 0.38 D X 2.50l	1
25	386493	(000000-	) Plate Wldt, Stop	1
26	09010	(000000-	) Screw, Hex, M08 X 1.25 X 25, Ss	3
27	15023	(000000-	) Bumper, Pye	1
28	08713	(000000-	) Nut, Hex, Lock, M08 X 1.25,NI, Ss	1
29	09718	(000000-003695	) Fitting, Grease, E90 Pm04 .75L	4
30	365156	(000000-	) Label Set, Info/Hzrd, [Max Pro]	1
31	13248	(000000-	) Washer, 0.40B 1.12D .12, Stl, Pl	4
32	1050193	(000000-	) Link Assy, Rod-End, .63-18	2
33	386081	(000000-	) Tube, 0.69ld 1.25Od 00.4L, Blk, Rod-End	4
34	40814	(000000-	) Nut, Hex, Lock, .62-18, NI, Thin	4

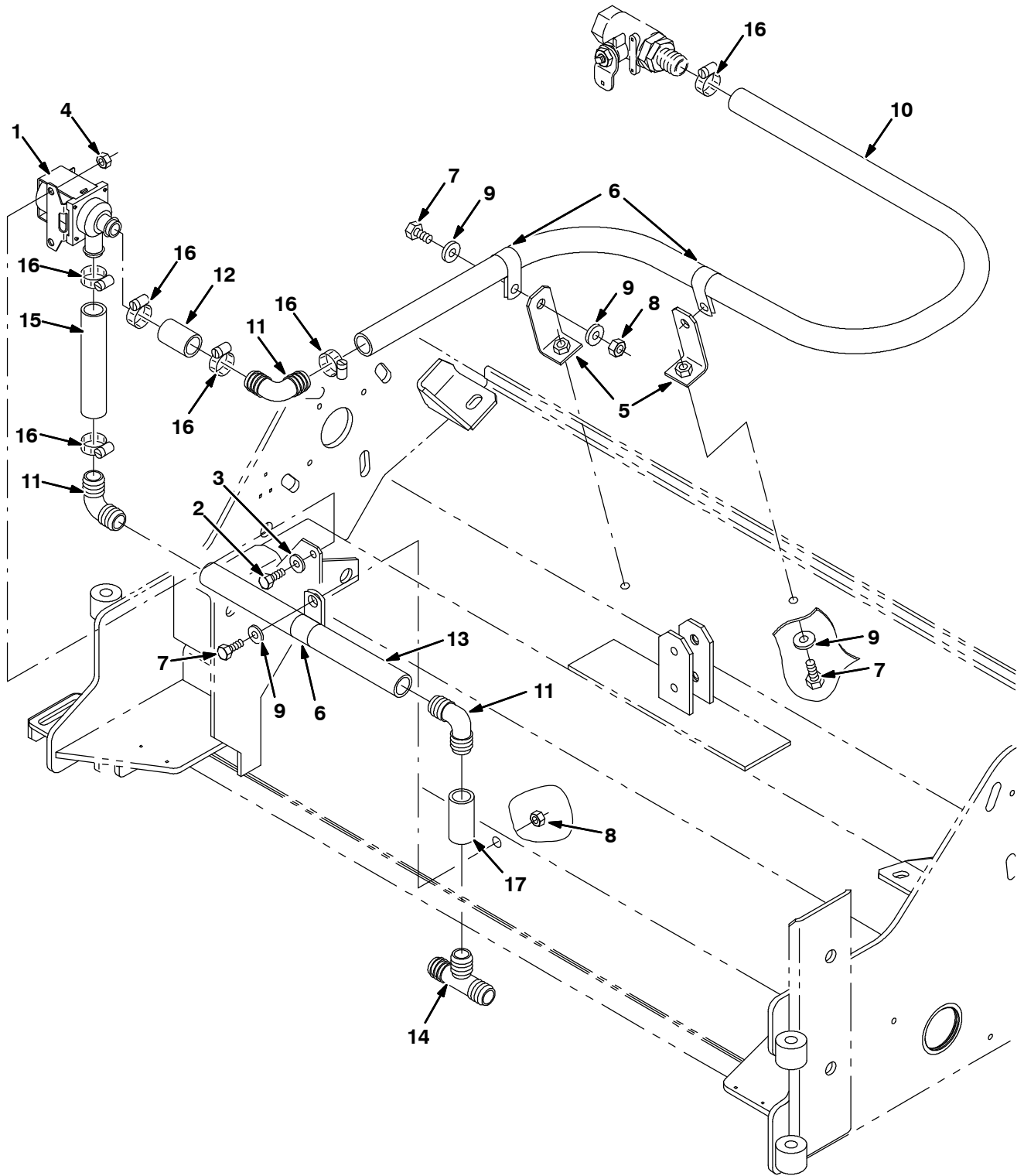
Fig. 26 - Max Pro 1000 (Cylindrical Brush) Scrub Head Drive Group



**Fig. 26 - Max Pro 1000 (Cylindrical Brush) Scrub Head Drive Group**

Ref.	Tennant Part No.	Machine Serial Number	Description	Qty.	
1	386050	(000000-002093 )	Motor, Ele, 36vdc 1500rpm 1.5hp (See Breakdown) (Repl By 377398AM)	2	
▽	1	377398	(002094- )	Motor, Ele, 36vdc 1.50hp 1500rpm 43.0a	2
▲	621478	(002094- )	Brush, Carbon	2	
2	363468	(000000- )	Wire Assy, Jumper Reverse, [515]	1	
3	09291	(000000- )	Screw, Hex, M10 X 1.5 X 20, Ss	8	
4	01686	(000000- )	Washer, Flt, .38 Ss	14	
5	83052	(000000- )	Sprocket, Timing, 23tooth, 0.625b	2	
6	00912	(000000- )	Key, Sq, 0.19 X 0.19, 01.00l	2	
7	39323	(000000- )	Screw, Set, #10-32 X 0.38, Al	4	
8	386053	(000000- )	Belt, Drive (Cylindrical Brush)	2	
9	375301	(000000- )	Sprocket, Timing, 4.261pd, 68 Grv, Pl	2	
10	00918	(000000- )	Key, Sq, 0.19 X 0.19, 01.25l	2	
11	386058	(000000- )	Shaft, Drive, Brush	2	
12	46390	(000000- )	Bearing, Ball, 0.79b 1.85d 0.55w	6	
13	10464	(000000- )	Ring, Retaining, Int, 1.85d, Basic	4	
14	386062	(000000- )	Collar Wldt	2	
15	386067	(000000- )	Plug, Drive, Brush, Splined	2	
16	15678	(000000- )	Screw, Hex, M06 X 1.0 X 16, Ss	10	
17	01684	(000000- )	Washer, Flt, .25 Ss	8	
18	00911	(000000- )	Key, Sq, 0.19 X 0.19, 00.75l	2	
19	386063	(000000- )	Washer, 0.25b 1.12d .12, Ss	2	
20	386274	(000000- )	Hook Wldt, Latch	2	
21	1011713	(000000- )	Spring, Motor	2	
22	386072	(000000- )	Pin, Clevis, .625 Dia X 5.25l	2	
23	02942	(000000- )	Pin, Hair Cotter, 0.62 D .120 Wir	2	
24	386066	(000000- )	Cover, Drive	2	
25	48732	(000000- )	Screw, Pan, M06 X 1.0 X 10, Ss	10	
26	12317	(000000- )	Screw, Hex, M10 X 1.5 X 30, Ss	2	
27	386080	(000000- )	Cover, Idler	2	
28	386841	(000000- )	Cam, Front	2	
29	386842	(000000- )	Cam, Rear	2	
30	12317	(000000- )	Screw, Hex, M10 X 1.5 X 30, Ss	2	
31	81818	(000000- )	Plug, Drive, Brush, Splined	2	
32	35836	(000000- )	Retainer, Bearing	2	
33	09738	(000000- )	Screw, Hex, M05 X 0.8 X 12, Ss	8	
34	06549	(000000- )	Nut, Hex, Lock, M05 X 0.8, NI	8	
35	26428	(000000- )	Ring, Retaining, Ext, 0.75d, Hd	2	
36	386257	(000000- )	Latch	2	
37	09198	(000000- )	Screw, Pan, M04 X 0.7 X 35, Ss	6	
38	33932	(000000- )	Nut, Hex, Lock, M04 X 0.7, NI, Ss	6	
39	08714	(000000- )	Nut, Hex, Lock, M10 X 1.5, NI, SS	2	
40	1001062	(000000- )	Gasket, Cover	2	

Fig. 27 - Max Pro 1000 (Cylindrical Brush) Solution Valve Group

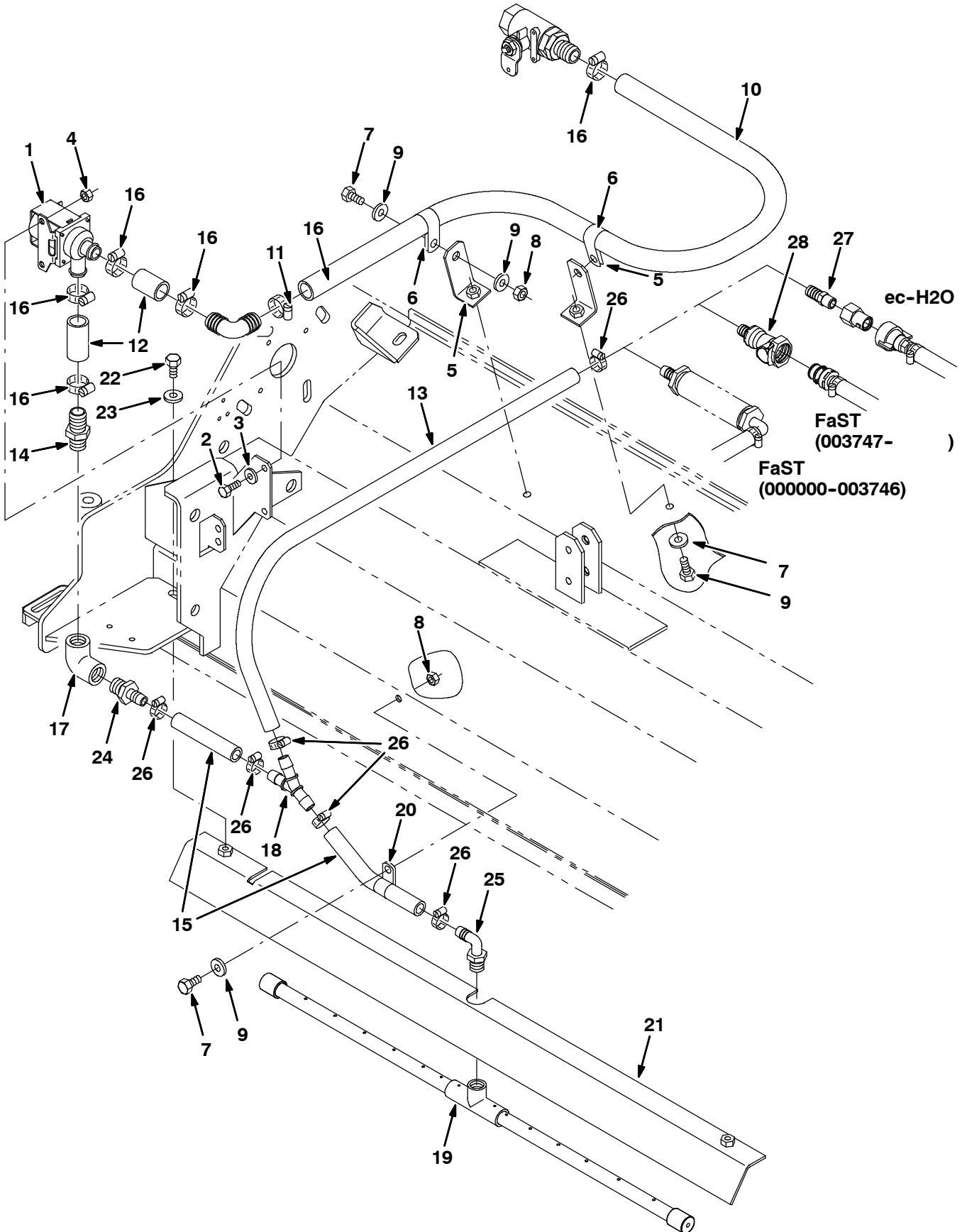


**Fig. 27 - Max Pro 1000 (Cylindrical Brush) Solution Valve Group**

<b>Ref.</b>	<b>Tennant Part No.</b>	<b>Machine Serial Number</b>	<b>Description</b>	<b>Qty.</b>
1	84028	(000000-	) Valve, Water	1
2	15678	(000000-	) Screw, Hex, M06 X 1.0 X 16, Ss	2
3	01684	(000000-	) Washer, Flt, .25 Ss	2
4	08712	(000000-	) Nut, Hex, Lock, M06 X 1.0, NI, Ss	2
5	386490	(000000-	) Angle	2
6	69234	(000000-	) Clamp, Cable, Stl, 1.00d X 0.62w, 1h	3
7	15675	(000000-	) Screw, Hex, M08 X 1.25 X 16, Ss	7
8	08709	(000000-	) Nut, Hex, Lock, M08 X 1.25,NI	5
9	01685	(000000-	) Washer, Flt, .31 Ss	9
10	73474	(000000-	) Hose, Pvc, Brd, 0.75id 1.00od 44.50l	1
11	40566	(000000-	) Fitting, Plstc, E90, Bm12/Bm12	3
12	364899	(000000-	) Hose, Pvc, Brd, 0.75id 1.03od 01.50l	1
13	364896	(000000-	) Hose, Pvc, Brd, 0.75id 1.03od 11.00l	1
14	41315	(000000-	) Fitting, Plstc, Tee, Bm12/Bm12/Bm12	1
15	364895	(000000-	) Hose, Pvc, Brd, 0.75ID 1.03OD 05.00L	1
16	11399	(000000-	) Clamp, Hose, Wormdrive, 0.81-1.50d	6
17	16914	(000000-	) Hose, Pvc, Brd, 0.75ID 1.00OD 02.00L	1

# OPTIONS

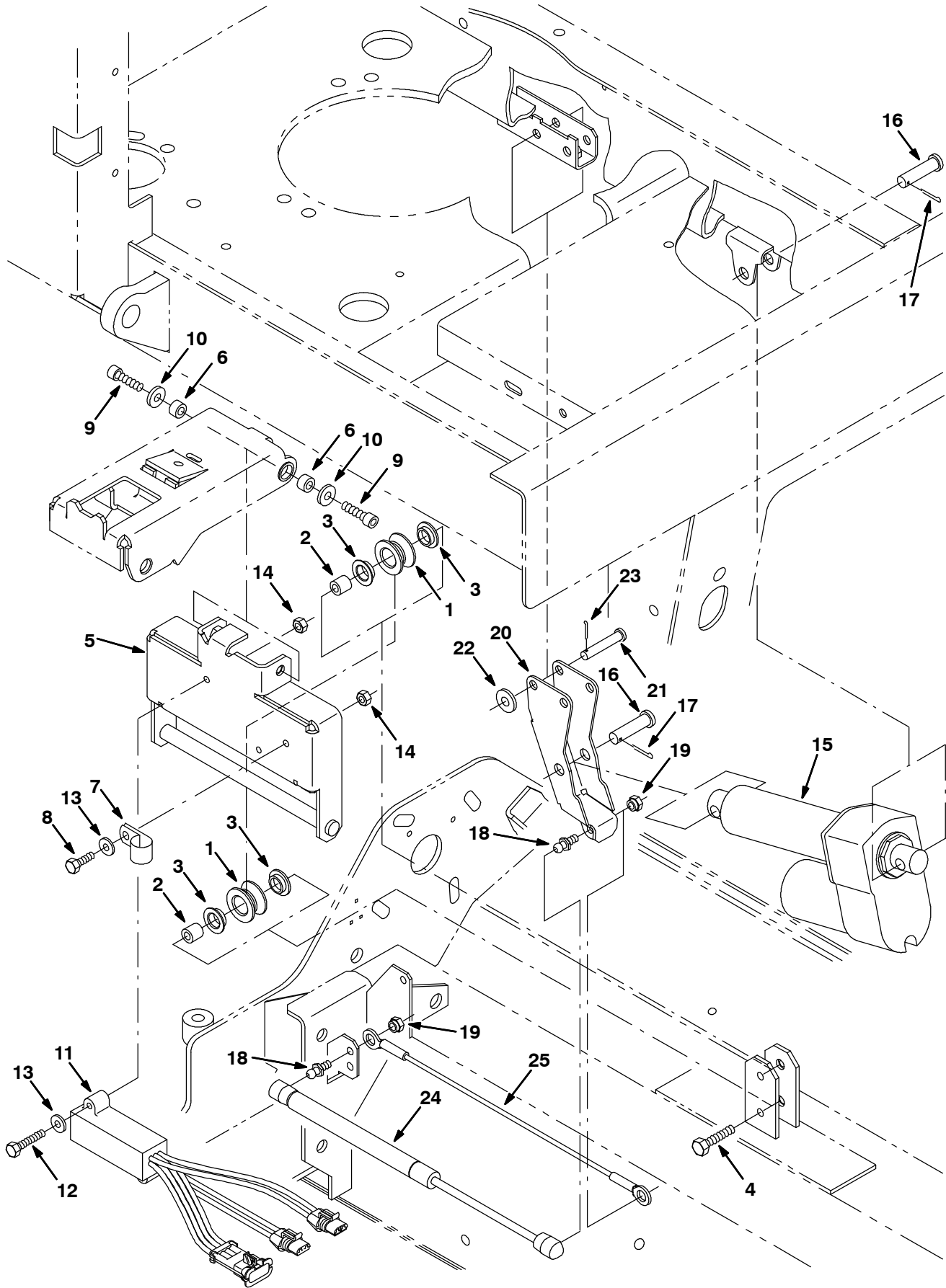
Fig. 28 - Max Pro 1000 (Cylindrical Brush) Solution Valve Group (FaST/ec-H2O)



**Fig. 28 - Max Pro 1000 (Cylindrical Brush) Solution Valve Group (FaST/ec-H2O)**

<b>Ref.</b>	<b>Tennant Part No.</b>	<b>Machine Serial Number</b>	<b>Description</b>	<b>Qty.</b>
1	84028	(000000-	) Valve, Water	1
2	15678	(000000-	) Screw, Hex, M06 X 1.0 X 16, Ss	2
3	01684	(000000-	) Washer, Flt, .25 Ss	2
4	08712	(000000-	) Nut, Hex, Lock, M06 X 1.0, NI, Ss	2
5	386490	(000000-	) Angle	2
6	69234	(000000-	) Clamp, Cable, Stl, 1.00d X 0.62w, 1h	2
7	15675	(000000-	) Screw, Hex, M08 X 1.25 X 16, Ss	5
8	08709	(000000-	) Nut, Hex, Lock, M08 X 1.25,NI	3
9	01685	(000000-	) Washer, Flt, .31 Ss	7
10	1015045	(000000-	) Hose, Afmkt, Pvc, Brd 0.75id 8 Ft	1
11	40566	(000000-	) Fitting, Plstc, E90, Bm12/Bm12	3
12	1015048	(000000-	) Hose, Afmkt, Pvc, Brd 0.75id 1 Ft	1
13	1011521	(000000-	) Hose, Afmkt Replmt, Pvc, Brd 0.50id 2 Ft	1
14	78398	(000000-	) Fitting, Plstc, Str, Bm12/Pm08, Nyl	1
15	1011403	(000000-	) Hose, Afmkt Replmt, Pvc, Brd 0.50id 1 Ft	1
16	11399	(000000-	) Clamp, Hose, Wormdrive, 0.81-1.50d	6
17	79572	(000000-	) Fitting, Plstc, E90, Pf08/Pf08	1
18	1010668	(000000-	) Fitting, Plstc, Y, Bm08/Bm08/Bm08 Nyl	1
19	1015097	(000000-	) Tube Assy, Spray Bar 40" [7300/8300]	1
20	07471	(000000-	) Clamp, Cable, Stl, 0.75d X 0.75w, 1h	1
21	1015090	(000000-	) Bracket, Spray Bar, 40" [7300/8300]	1
22	49826	(000000-	) Screw, Hex, M8 X 1.25 X 16, Ss, NI	2
23	32492	(000000-	) Washer, Flat, 0.38 Std	2
24	79273-4	(000000-	) Fitting, Plstc, Str, Bm08/Pm08	1
25	64778	(000000-	) Fitting, Plstc, E90, Bm08/Pm06	1
26	54333	(000000-	) Clamp, Hose, Wormdrive, 0.31-0.88d	6
27	48610	(000000-	) Fitting, Plstc, Str, Bm08/Pm04 (ec-H2O)	1
28	1017413	(003747-	) Housing, Cplg, Qf / Pm08 (FaST)	1

Fig. 29 - Max Pro 1000 (Cylindrical Brush) Edge Scrub Group





**Fig. 29 - Max Pro 1000 (Cylindrical Brush) Edge Scrub Group**

<b>Ref.</b>	<b>Tennant Part No.</b>	<b>Machine Serial Number</b>	<b>Description</b>	<b>Qty.</b>
1	363120	(000000-	) Roller	2
2	222277	(000000-	) Sleeve	2
3	04843	(000000-	) Bushing, Flng, 0.63b 0.72d 0.25l	4
4	222505	(000000-	) Screw, Hex, M08 X 1.25 X 45, Ss	2
5	386040	(000000-	) Rail Wldt, Lift, Cyl Head	1
6	222556	(000000-	) Sleeve	2
7	67767	(000000-	) Clamp, Cable, Stl, 0.69d X 0.62w, 1h	1
8	08716	(000000-	) Screw, Hex, M06 X 1.0 X 20, Ss	1
9	39308	(000000-	) Screw, Hex	2
10	01685	(000000-	) Washer, Flt, .31 Ss	2
11	363237	(000000-	) Shunt, 2Hd Mtrs, Scrub 515, Red	1
12	33930	(000000-	) Screw, Hex, M06 X 1.0 X 40, Ss	2
13	01684	(000000-	) Washer, Flt, .25 Ss	3
14	08712	(000000-	) Nut, Hex, Lock, M06 X 1.0, NI, Ss	3
15	363152	(000000-	) Actuator, 36vdc, 02.7stroke 500lb	1
16	63147	(000000-	) Pin, Clevis, 0.50 D X 1.87l	2
17	08182	(000000-	) Pin, Cotter, .125 X 1.00	2
18	58494	(000000-	) Stud, Ball, .39d .31-16, Gasspring	2
19	14725	(000000-	) Nut, Retainer, .31-18	2
20	386048	(000000-	) Arm Wldt, Pivot, Side, [7300/8300]	1
21	29584	(000000-	) Pin, Clevis, 0.37 D X 2.00l	1
22	01686	(000000-	) Washer, Flt, .38 Ss	1
23	39005	(000000-	) Pin, Cotter, .094 X 0.75	1
24	364858	(000000-	) Gasspring, 56lb, 6.3strk	1
25	364404	(000000-	) Cable, .13d, 15.5l, .50eye /.50eye	1

Fig. 30 - Max Pro 1000 (Cylindrical Brush) Right Side Squeegee Group

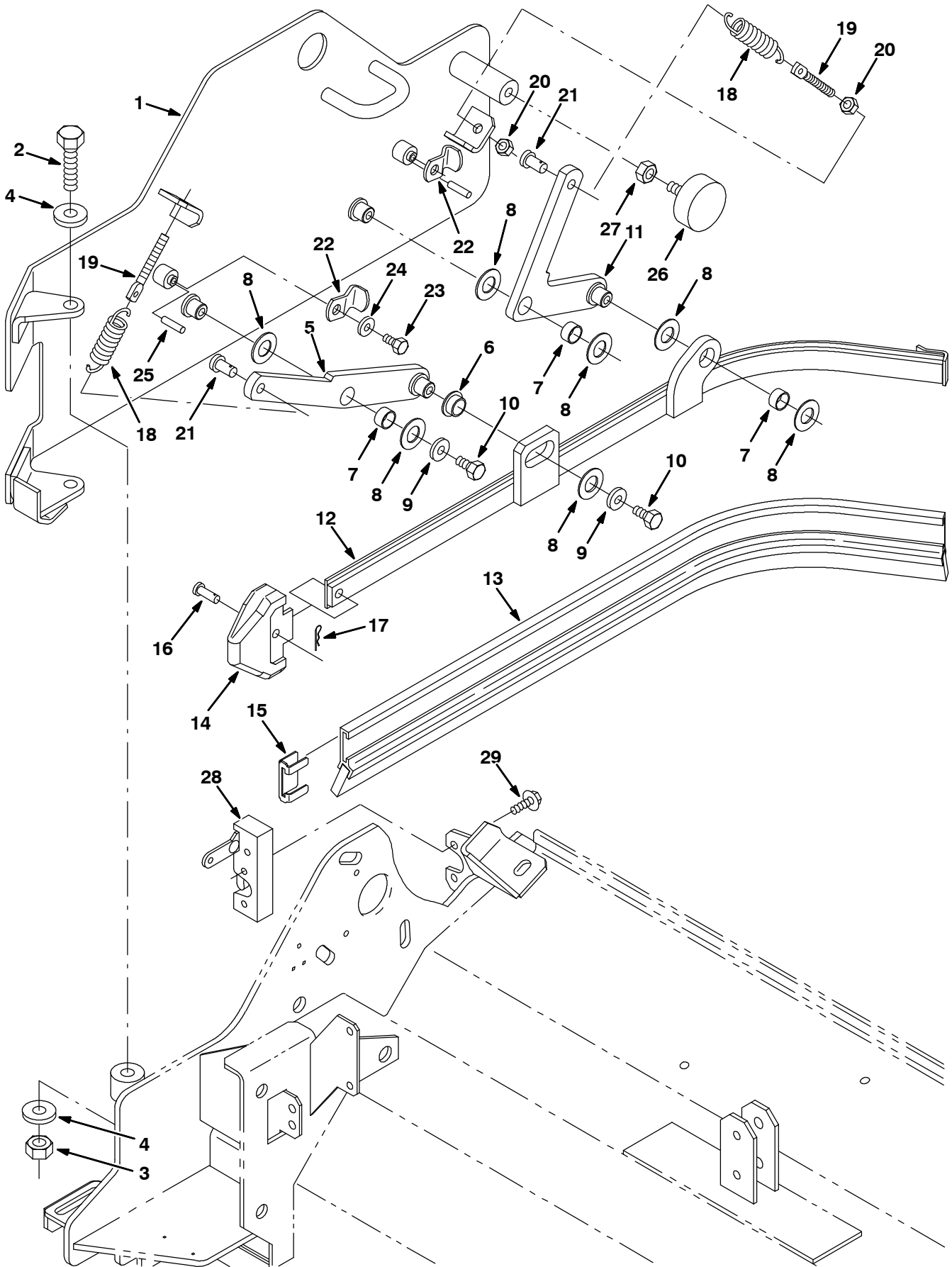


Fig. 30 - Max Pro 1000 (Cylindrical Brush) Right Side Squeegee Group

Ref.	Tennant Part No.	Machine Serial Number	Description	Qty.
1	386495	(000000-	) Guard Wldt, Rh	1
2	09774	(000000-	) Screw, Hex, M12 X 1.75 X 50, Ss	2
3	09741	(000000-	) Nut, Hex, Lock, M12 X 1.75,NI, Ss	2
4	33925	(000000-	) Washer, Flat, M12, 13x24x2.5ss	4
5	386269	(000000-	) Arm Wldt, Front, Rh	1
6	25735	(000000-	) Bushing, Fling, 0.63b 0.75d 0.38l	1
7	71607	(000000-	) Bushing, Sleeve, 0.63b 0.72d 0.38l	3
8	64425	(000000-	) Washer, Thrust, 0.61b 1.25d .06, Fgl	7
9	01686	(000000-	) Washer, Flt, .38 Ss	4
10	386868	(000000-	) Screw, Hex, M08x1.25 X12,Ss	4
11	386268	(000000-	) Arm Wldt, Rear, Rh	1
12	386263	(000000-	) Frame Wldt, Sqge, Side, Rh	1
13	386260	(000000-	) Squeegee, Side	1
14	386986	(000000-	) Guide, Point, Side Sqge	1
15	86759	(000000-	) Retainer, Sqge	1
16	386987	(000000-	) Pin, Clevis, 0.31d 0.88l	1
17	08085	(000000-	) Pin, Hair Cotter, 0.31 D .058 Wir	1
18	87816	(000000-	) Spring, Extn, 0.75od X 0.09wir, 2.5l	2
19	386088	(000000-	) Bolt, Eye, M8 X 1.25, 2.75l	2
20	07786	(000000-	) Nut, Hex, Std, M08 X 1.25, Ss	4
21	41305	(000000-	) Pin, Clevis, 0.37 D X 0.75l	2
22	386507	(000000-	) Arm, Latch	2
23	09744	(000000-	) Screw, Hex, M06 X 1.0 X 12, Ss	2
24	01684	(000000-	) Washer, Flt, .25 Ss	2
25	17404	(000000-	) Pin, Roll, .250 D X 0.75l, .250/.256	2
26	70756	(000000-	) Bumper, Rbr, 2.0d 0.75t .38-16	1
27	01692	(000000-	) Nut, Hex, Std, .38-16, Ss	1
28	72439	(000000-	) Latch	1
29	16949	(000000-	) Screw, Hex, .25-20 X 0.75, Sems	4

Fig. 31 - Max Pro 1000 (Cylindrical Brush) Left Side Squeegee Group

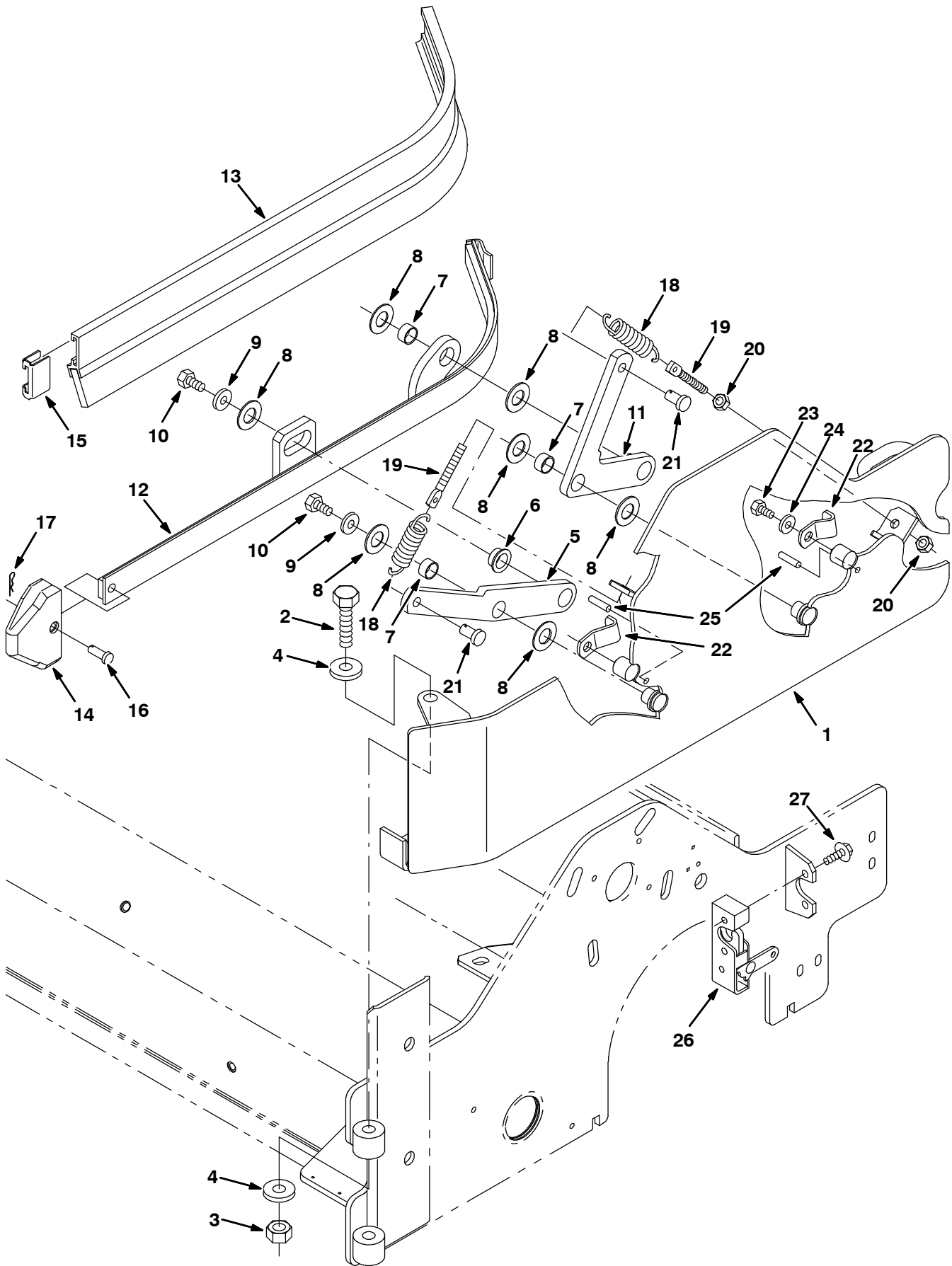
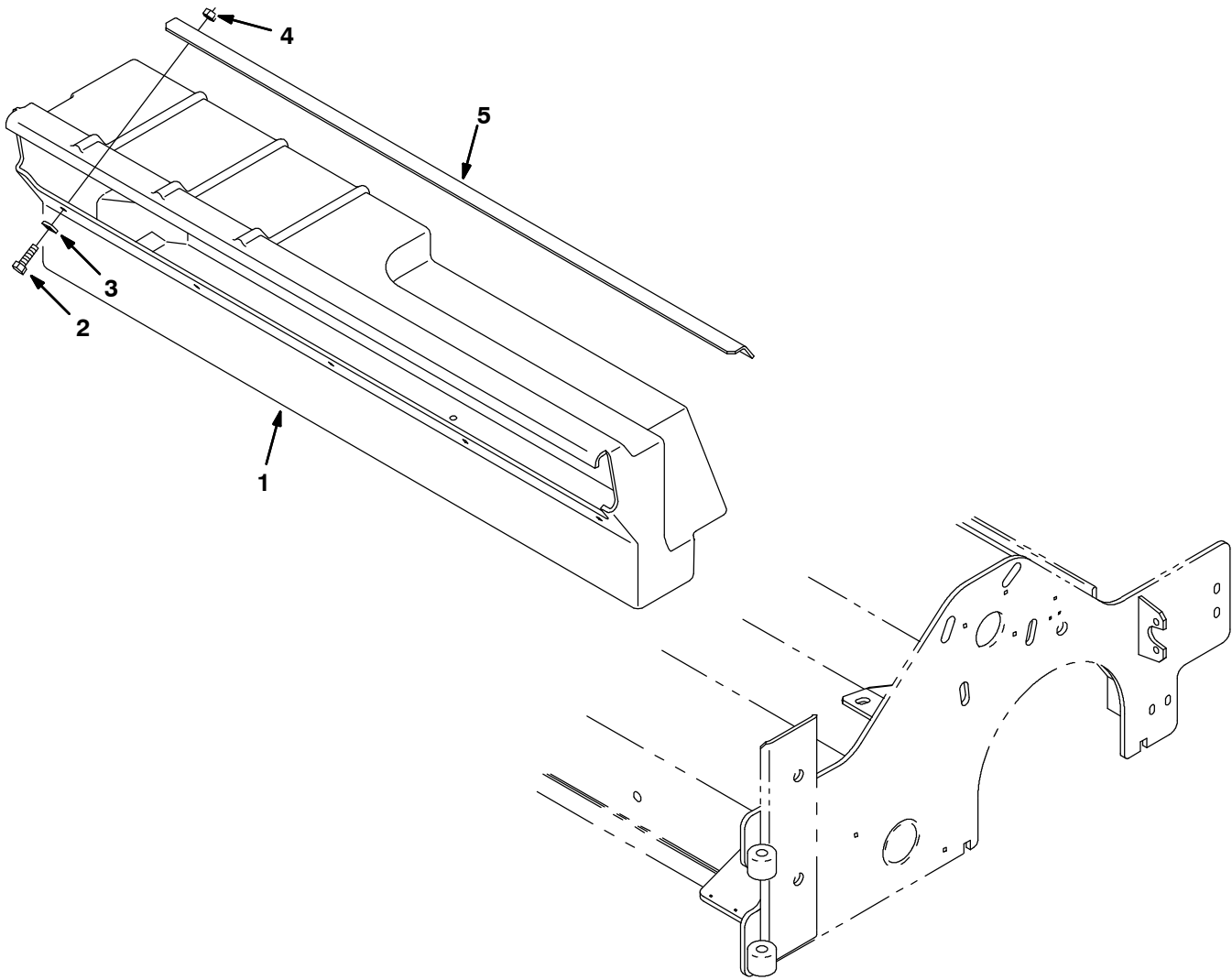


Fig. 31 - Max Pro 1000 (Cylindrical Brush) Left Side Squeegee Group

Ref.	Tennant Part No.	Machine Serial Number	Description	Qty.
1	386496	(000000-	) Guard Wldt, Lh	1
2	09774	(000000-	) Screw, Hex, M12 X 1.75 X 50, Ss	2
3	09741	(000000-	) Nut, Hex, Lock, M12 X 1.75,NI, Ss	2
4	33925	(000000-	) Washer, Flat, M12, 13x24x2.5ss	4
5	386276	(000000-	) Arm Wldt, Front, Lh	1
6	25735	(000000-	) Bushing, Fling, 0.63b 0.75d 0.38l	1
7	71607	(000000-	) Bushing, Sleeve, 0.63b 0.72d 0.38l	3
8	64425	(000000-	) Washer, Thrust, 0.61b 1.25d .06, Fgl	7
9	01686	(000000-	) Washer, Flt, .38 Ss	4
10	386868	(000000-	) Screw, Hex, M08x1.25 X12,Ss	4
11	386275	(000000-	) Arm Wldt, Rear, Lh	1
12	386262	(000000-	) Frame Wldt, Sqge, Side, Lh	1
13	386260	(000000-	) Squeegee, Side	1
14	386986	(000000-	) Guide, Point, Side Sqge	1
15	86759	(000000-	) Retainer, Sqge	1
16	386987	(000000-	) Pin, Clevis, 0.31d 0.88l	1
17	08085	(000000-	) Pin, Hair Cotter, 0.31 D .058 Wir	1
18	87816	(000000-	) Spring, Extn, 0.75od X 0.09wir, 2.5l	2
19	386088	(000000-	) Bolt, Eye, M8 X 1.25, 2.75l	2
20	07786	(000000-	) Nut, Hex, Std, M08 X 1.25, Ss	4
21	41305	(000000-	) Pin, Clevis, 0.37 D X 0.75l	2
22	386507	(000000-	) Arm, Latch	2
23	09744	(000000-	) Screw, Hex, M06 X 1.0 X 12, Ss	2
24	01684	(000000-	) Washer, Flt, .25 Ss	2
25	17404	(000000-	) Pin, Roll, .250 D X 0.75l, .250/.256	2
26	59661	(000000-	) Latch	1
27	16949	(000000-	) Screw, Hex, .25-20 X 0.75, Sems	4

**Fig. 32 - Max Pro 1000 (Cylindrical Brush) Debris Tray Group**



**Fig. 32 - Max Pro 1000 (Cylindrical Brush) Debris Tray Group**

<b>Ref.</b>	<b>Tennant Part No.</b>	<b>Machine Serial Number</b>	<b>Description</b>	<b>Qty.</b>
1	387671	(000000-	) Tray, Debris, 40L, W/Holes	1
2	08716	(000000-	) Screw, Hex, M6X1.0X20, Ss	5
3	01684	(000000-	) Washer, Flat, 0.25 Ss	5
4	08712	(000000-	) Nut, Hex, Lock, M6X1.0, Ss, NI	5
5	387253	(000000-	) Angle	1

Fig. 33 - Max Pro 1000 (Cylindrical Brush) Vacuumized Debris Tray Group

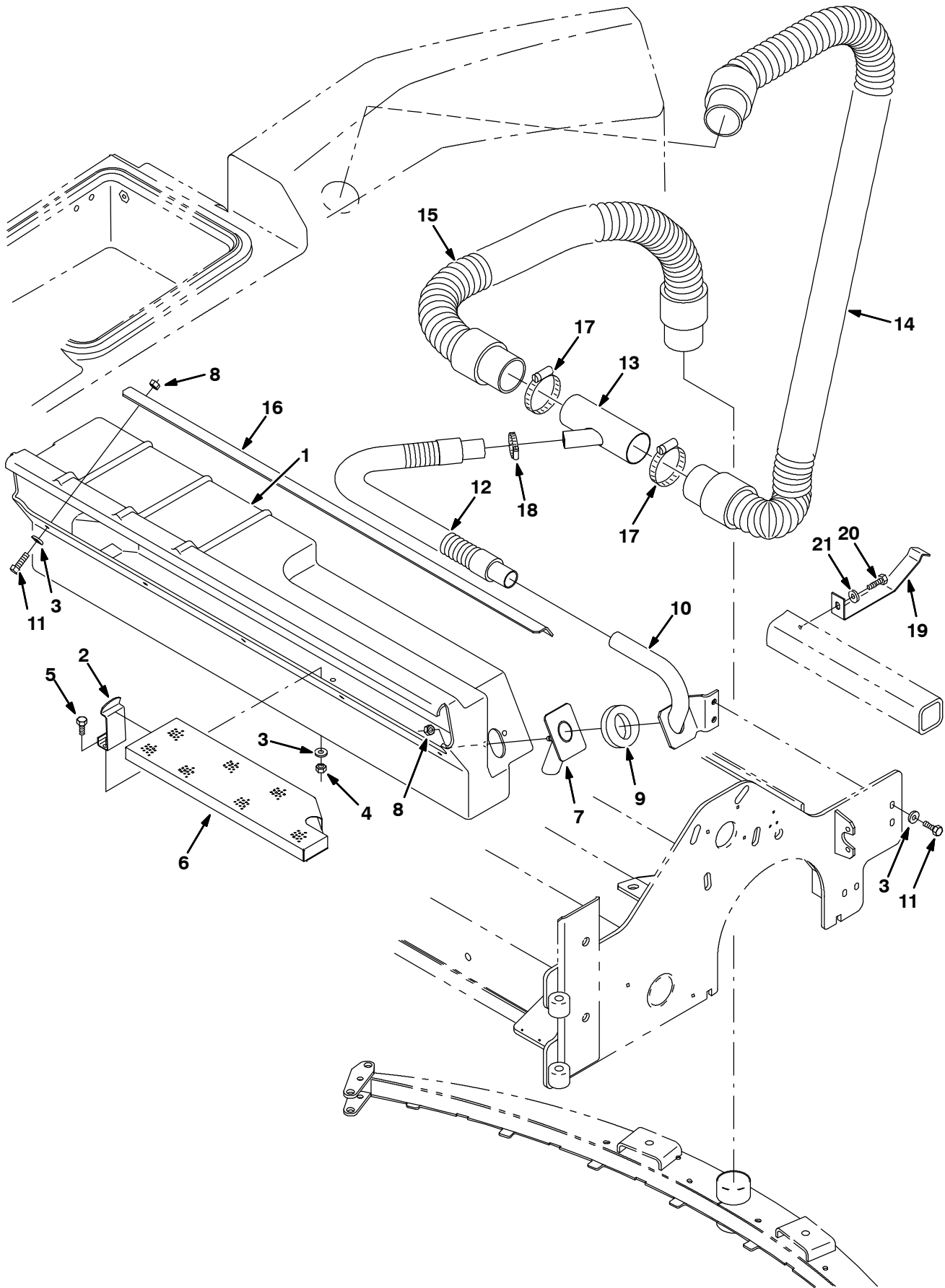
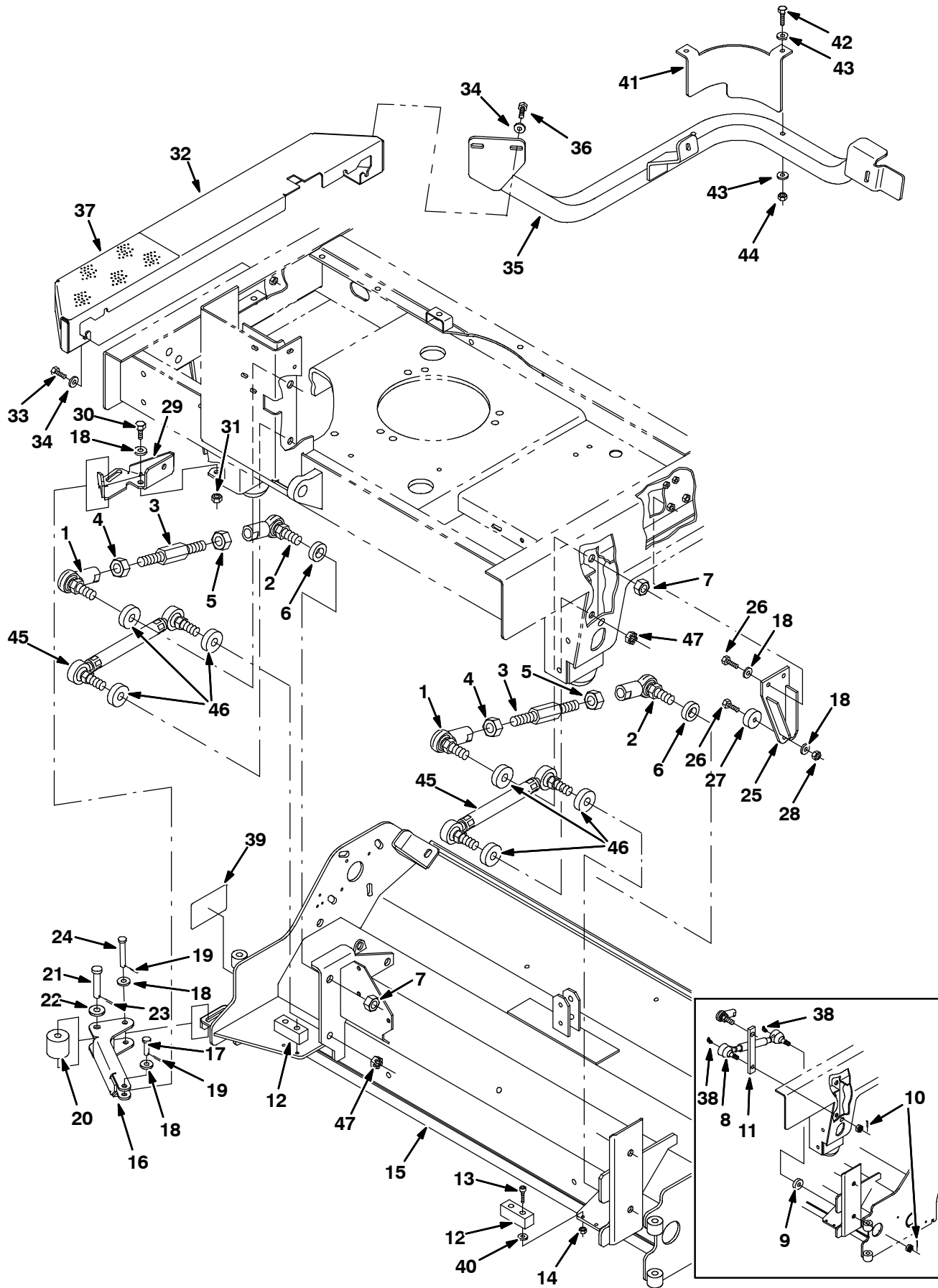




Fig. 33 - Max Pro 1000 (Cylindrical Brush) Vacuumized Debris Tray Group

Ref.	Tennant Part No.	Machine Serial Number	Description	Qty.
1	386282	(000000-	) Tray, Debris, 40.0l	1
2	87244	(000000-	) Clip, Spring, Prop Arm	1
3	01684	(000000-	) Washer, Flt, .25 Ss	14
4	08712	(000000-	) Nut, Hex, Lock, M06 X 1.0, NI, Ss	2
5	09744	(000000-	) Screw, Hex, M06 X 1.0 X 12, Ss	2
6	386500	(000000-	) Screen Wldt	1
7	386503	(000000-	) Tube Wldt	1
8	08712	(000000-	) Nut, Hex, Lock, M06 X 1.0, NI, Ss	7
9	386504	(000000-	) Gasket, Foam	1
10	386510	(000000-	) Tube Wldt, Upper	1
11	08716	(000000-	) Screw, Hex, M06 X 1.0 X 20, Ss	7
12	222788	(000000-001702	) Hose Assy, W/2cuff, 1.0d, 23l	1
12	387517	(001703-	) Hose Assy, W/2cuff, 1.0d, 41l	1
13	386518	(000000-	) Tube Wldt	1
14	386514	(000000-001702	) Hose, Vacuum, 58.5l	1
14	1005133	(001703-	) Hose Assy, W/2cuff, 2.0d 75l	1
15	387256	(000000-001702	) Hose, Vacuum, 35.0l	1
15	1005135	(001703-	) Hose Assy, W/2cuff, 2.0d 26l	1
16	387253	(000000-	) Angle	1
17	14432	(000000-	) Clamp, Hose, Wormdrive, 1.81-2.75d	2
18	11399	(000000-	) Clamp, Hose, Wormdrive, 0.81-1.50d	1
19	1002464	(001703-	) Bracket, Tube , Tee	1
20	361339	(001703-	) Screw, Hex, M 6 X 1.0 X 16, Fmg	1
21	32483	(001703-	) Washer, Flat, 0.25 Sae	1

Fig. 34 - Max Pro 1200 (Cylindrical Brush) Scrub Head Frame and Linkage Group



**Fig. 34 - Max Pro 1200 (Cylindrical Brush) Scrub Head Frame and Linkage Group**

Ref.	Tennant Part No.	Machine Serial Number	Description	Qty.
1	77275	(000000-	) Rod-End, .62-18rh Fem 0.50-18stud	2
2	386070	(000000-	) Rod-End, .625-18, Lh	2
3	386071	(000000-	) Rod, Link	2
4	77276	(000000-	) Nut, Hex, Jam, .62-18, Ss	2
5	77277	(000000-	) Nut, Hex, Jam, .62-18, Ss, Lh	2
6	386081	(000000-	) Spacer, Rod-End	2
7	40814	(000000-	) Nut, Hex, Lock, .62-18, NI, Thin	4
8	363113	(000000-003695	) Link Wldt, Head, Drag (Replaced by 9005751)	2
9	14524	(000000-003695	) Spacer, Washer	2
10	08346	(000000-003695	) Pin, Cotter, .125 X 0.75	4
11	386844	(000000-003695	) Spacer, Plate	2
12	386865	(000000-	) Bumper	2
13	24198	(000000-	) Screw, Pan, M05 X 0.8 X 25, Ss	4
14	09739	(000000-	) Nut, Hex, Lock, M05 X 0.8, NI, Ss	4
15	386874	(000000-	) Housing Wldt, Brush [Mp1200]	1
16	1001099	(000000-	) Guard, Kick In, Scb Head	1
17	29557	(000000-	) Pin, Clevis, 0.37 D X 1.31l	1
18	01686	(000000-	) Washer, Flt, .38 Ss	7
19	39005	(000000-	) Pin, Cotter, .094 X 0.75	2
20	72946	(000000-	) Roller	1
21	06279	(000000-	) Pin, Clevis, 0.50 D X 2.50l	1
22	32493	(000000-	) Washer, Flt, .50 Std	1
23	08182	(000000-	) Pin, Cotter, .125 X 1.00	1
24	365180	(000000-	) Pin, Clevis, 0.38 D X 2.50l	1
25	386493	(000000-	) Plate Wldt, Stop	2
26	09010	(000000-	) Screw, Hex, M08 X 1.25 X 25, Ss	3
27	15023	(000000-	) Bumper, Pye	1
28	08713	(000000-	) Nut, Hex, Lock, M08 X 1.25,NI, Ss	1
29	386876	(000000-	) Bracket, Adaptor, Mtg, Kick In, Frame	1
30	09028	(000000-	) Screw, Hex, M10 X 1.5 X 25, Ss	1
31	08714	(000000-	) Nut, Hex, Lock, M10 X 1.5, NI, Ss	1
32	386827	(000000-	) Bumper, Side, Scb Head, Wide	1
33	09740	(000000-	) Screw, Hex, M08 X 1.25 X 20, Ss	4
34	01685	(000000-	) Screw, Hex, M08 X 1.25 X 20, Ss	8
35	387245	(000000-	) Guard Wldt, Sqge (MP 20)	1
36	09010	(000000-	) Screw, Hex, M08 X 1.25 X 25, Ss	4
37	387080	(000000-	) Tread, Floor, 12.5 X 5.75	1
38	09718	(000000-003695	) Fitting, Grease, E90 Pm04 .75L	4
39	365156	(000000-	) Label Set, Info/Hzrd, [Max Pro]	1
40	13248	(000000-	) Washer, 0.40B 1.12D .12, Stl, PI	4
41	1007486	(000000-	) Guard, Bumper	1
42	49694	(000000-	) Screw, Hex, M 8 X 1.25 X 50, Ss	2
43	01685	(000000-	) Washer, Flat, 0.31 Ss	4
44	08713	(000000-	) Nut, Hex, Lock, M 8 X 1.25, NI, Ss	2
45	1050193	(000000-	) Link Assy, Rod-End, .63-18	2
46	386081	(000000-	) Tube, 0.69ld 1.25Od 00.4L, Blk, Rod-End	4
47	40814	(000000-	) Nut, Hex, Lock, .62-18, NI, Thin	4

Fig. 35 - Max Pro 1200 (Cylindrical Brush) Scrub Head Drive Group

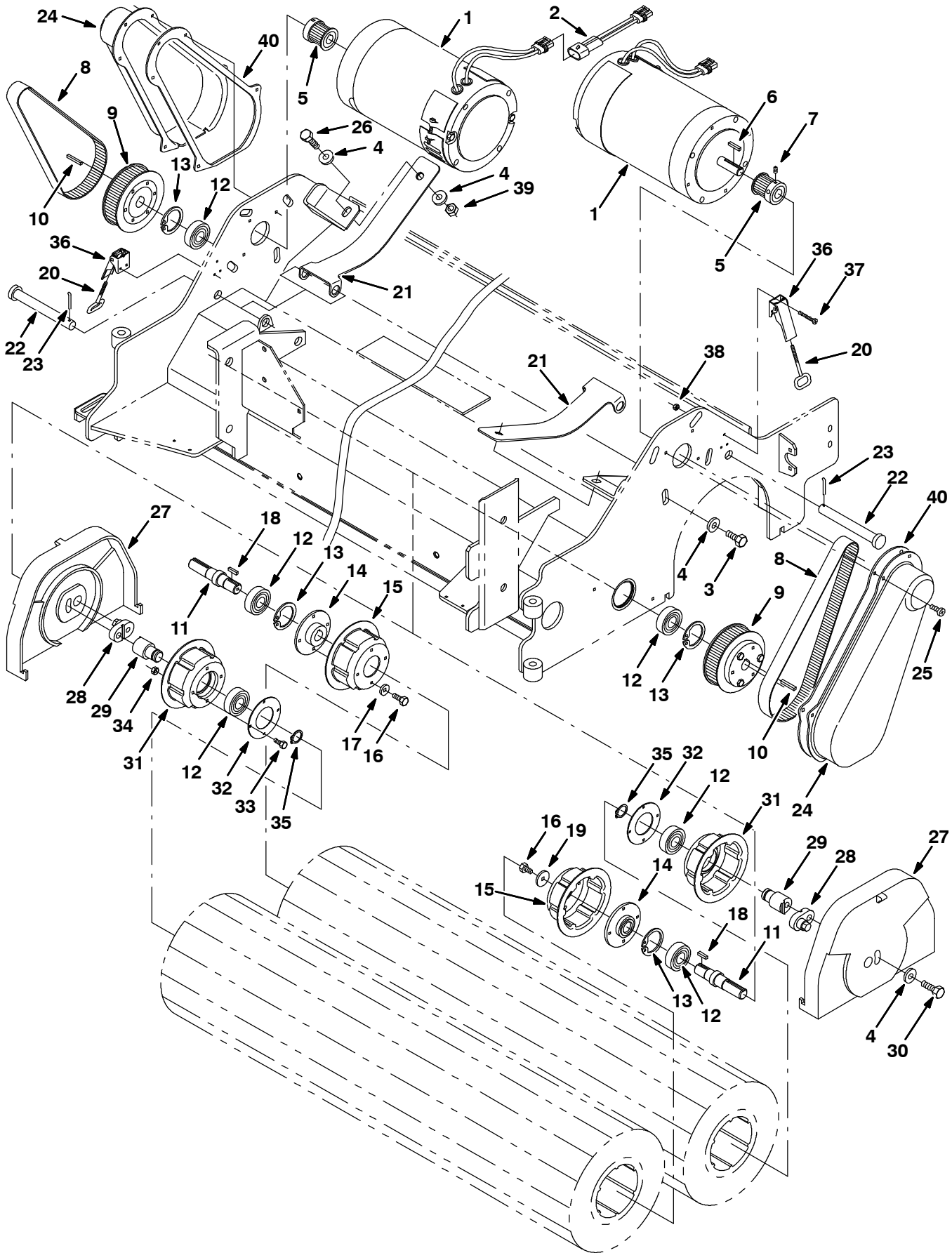
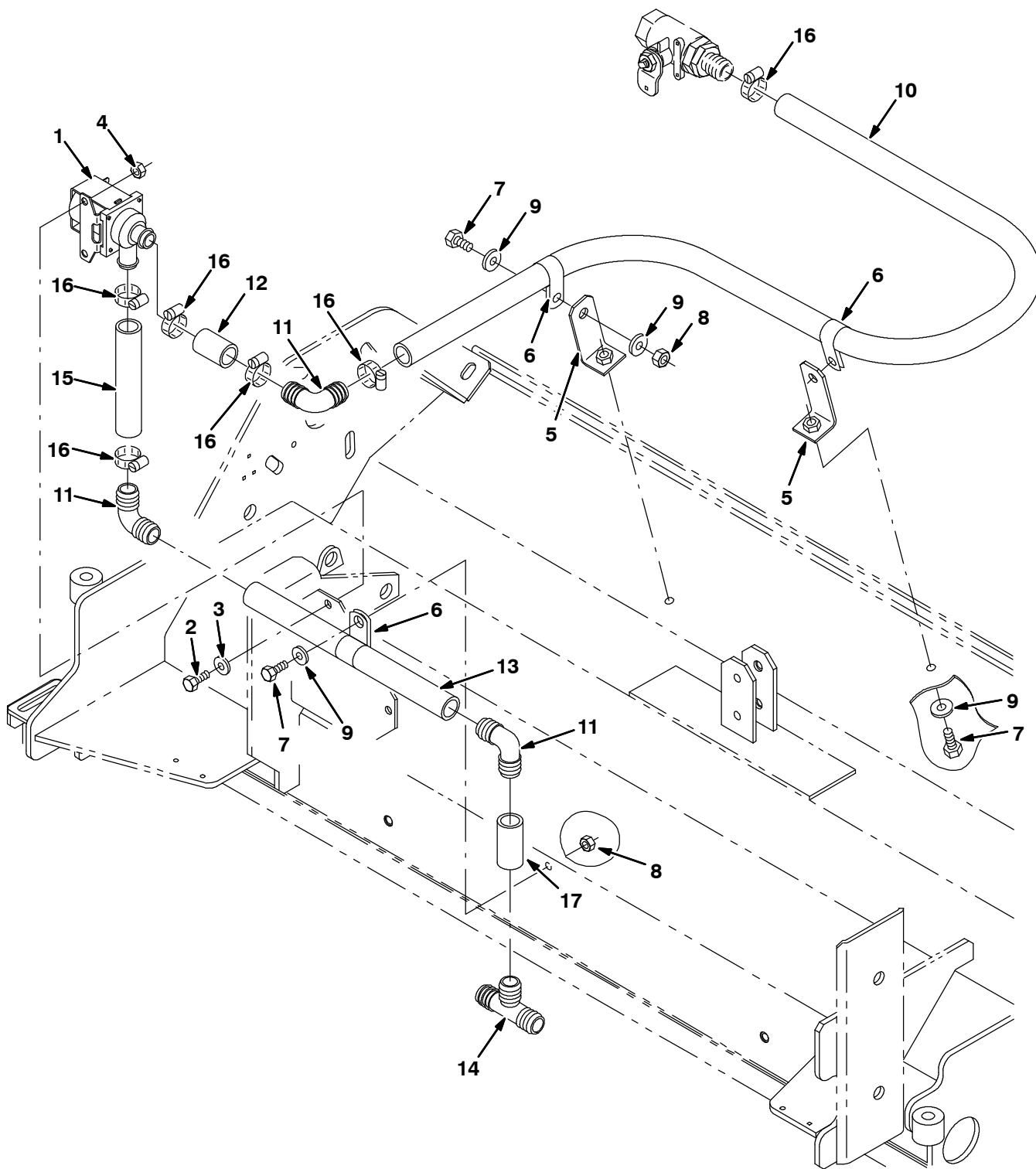


Fig. 35 - Max Pro 1200 (Cylindrical Brush) Scrub Head Drive Group

Ref.	Tennant Part No.	Machine Serial Number	Description	Qty.
1	386050	(000000-002093 )	Motor, Ele, 36vdc 1500rpm 1.5hp (See Breakdown) (Repl By 377398AM)	2
▽	1 377398	(002094-	) Motor, Ele, 36vdc 1.50hp 1500rpm 43.0a	2
▲	621478	(002094-	) Brush, Carbon	2
2	363468	(000000-	) Wire Assy, Jumper Reverse, [515]	1
3	09291	(000000-	) Screw, Hex, M10 X 1.5 X 20, Ss	8
4	01686	(000000-	) Washer, Flt, .38 Ss	14
5	83052	(000000-	) Sprocket, Timing, 23tooth, 0.625b	2
6	00912	(000000-	) Key, Sq, 0.19 X 0.19, 01.00l	2
7	39323	(000000-	) Screw, Set, #10-32 X 0.38, Al	4
8	386053	(000000-	) Belt, Drive (Cylindrical Brush)	2
9	375301	(000000-	) Sprocket, Timing, 4.261pd, 68 Grv, Pl	2
10	00918	(000000-	) Key, Sq, 0.19 X 0.19, 01.25l	2
11	386058	(000000-	) Shaft, Drive, Brush	2
12	46390	(000000-	) Bearing, Ball, 0.79b 1.85d 0.55w	6
13	10464	(000000-	) Ring, Retaining, Int, 1.85d, Basic	4
14	386062	(000000-	) Collar Wldt	2
15	386067	(000000-	) Plug, Drive, Brush, Splined	2
16	15678	(000000-	) Screw, Hex, M06 X 1.0 X 16, Ss	10
17	01684	(000000-	) Washer, Flt, .25 Ss	8
18	00911	(000000-	) Key, Sq, 0.19 X 0.19, 00.75l	2
19	386063	(000000-	) Washer, 0.25b 1.12d .12, Ss	2
20	386274	(000000-	) Hook Wldt, Latch	2
21	1011713	(000000-	) Spring, Motor	2
22	386072	(000000-	) Pin, Clevis, .625 Dia X 5.25l	2
23	02942	(000000-	) Pin, Hair Cotter, 0.62 D .120 Wir	2
24	386066	(000000-	) Cover, Drive	2
25	48732	(000000-	) Screw, Pan, M06 X 1.0 X 10, Ss	10
26	12317	(000000-	) Screw, Hex, M10 X 1.5 X 30, Ss	2
27	386080	(000000-	) Cover, Idler	2
28	386841	(000000-	) Cam, Front	2
29	386842	(000000-	) Cam, Rear	2
30	12317	(000000-	) Screw, Hex, M10 X 1.5 X 30, Ss	2
31	81771	(000000-	) Plug, Drive, Brush, Splined	2
32	35836	(000000-	) Retainer, Bearing	2
33	09738	(000000-	) Screw, Hex, M05 X 0.8 X 12, Ss	8
34	06549	(000000-	) Nut, Hex, Lock, M05 X 0.8, NI	8
35	26428	(000000-	) Ring, Retaining, Ext, 0.75d, Hd	2
36	386257	(000000-	) Latch	2
37	09198	(000000-	) Screw, Pan, M04 X 0.7 X 35, Ss	6
38	33932	(000000-	) Nut, Hex, Lock, M04 X 0.7, NI, Ss	6
39	08714	(000000-	) Nut, Hex, Lock, M10 X 1.5, NI, SS	2
40	1001062	(000000-	) Gasket, Cover	2

Fig. 36 - Max Pro 1200 (Cylindrical Brush) Solution Valve Group

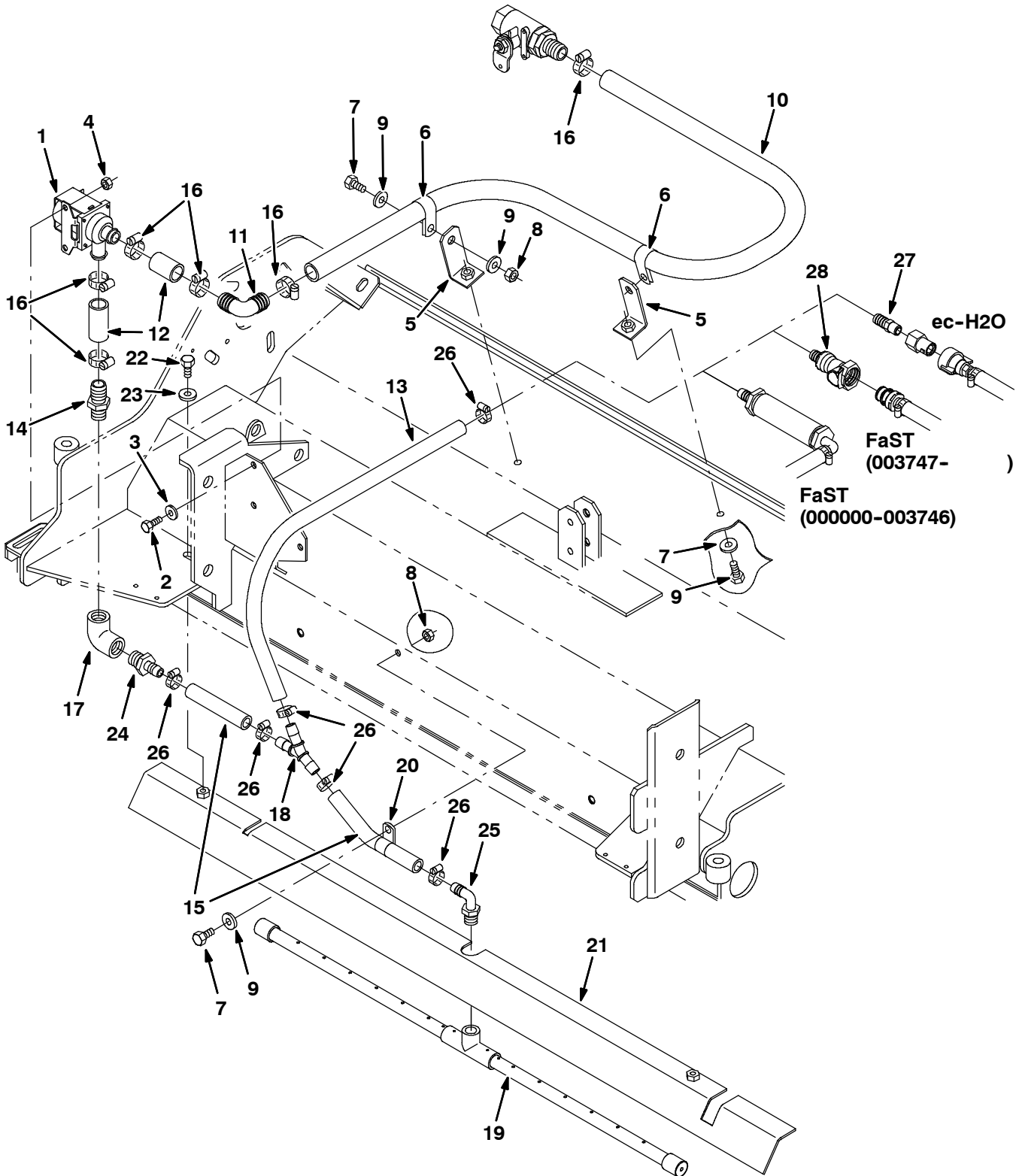


**Fig. 36 - Max Pro 1200 (Cylindrical Brush) Solution Valve Group**

<b>Ref.</b>	<b>Tennant Part No.</b>	<b>Machine Serial Number</b>	<b>Description</b>	<b>Qty.</b>
1	84028	(000000-	) Valve, Water	1
2	15678	(000000-	) Screw, Hex, M06 X 1.0 X 16, Ss	2
3	01684	(000000-	) Washer, Flt, .25 Ss	2
4	08712	(000000-	) Nut, Hex, Lock, M06 X 1.0, NI, Ss	2
5	386490	(000000-	) Angle	2
6	69234	(000000-	) Clamp, Cable, Stl, 1.00d X 0.62w, 1h	3
7	15675	(000000-	) Screw, Hex, M08 X 1.25 X 16, Ss	7
8	08709	(000000-	) Nut, Hex, Lock, M08 X 1.25,NI	5
9	01685	(000000-	) Washer, Flt, .31 Ss	9
10	73474	(000000-	) Hose, Pvc, Brd, 0.75id 1.00od 44.50l	1
11	40566	(000000-	) Fitting, Plstc, E90, Bm12/Bm12	3
12	364899	(000000-	) Hose, Pvc, Brd, 0.75id 1.03od 01.50l	1
13	364896	(000000-	) Hose, Pvc, Brd, 0.75id 1.03od 11.00l	1
14	41315	(000000-	) Fitting, Plstc, Tee, Bm12/Bm12/Bm12	1
15	364895	(000000-	) Hose, Pvc, Brd, 0.75id 1.03od 05.00l	1
16	11399	(000000-	) Clamp, Hose, Wormdrive, 0.81-1.50d	6
17	16914	(000000-	) Hose, Pvc, Brd, 0.75id 1.00od 2.00l	1

# OPTIONS

Fig. 37 - Max Pro 1200 (Cylindrical Brush) Solution Valve Group (FaST/ec-H2O)

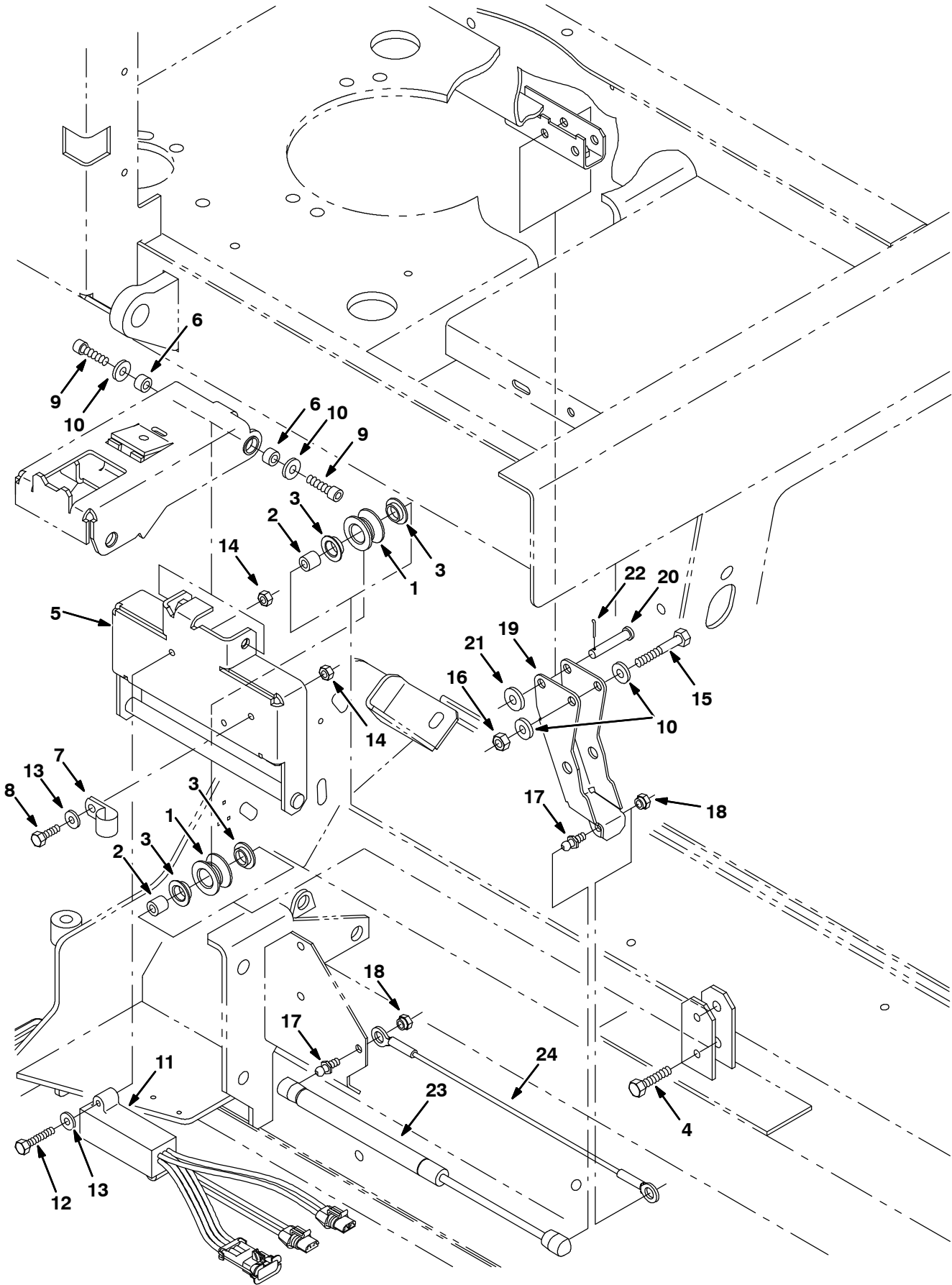




**Fig. 37 - Max Pro 1200 (Cylindrical Brush) Solution Valve Group (FaST/ec-H2O)**

<b>Ref.</b>	<b>Tennant Part No.</b>	<b>Machine Serial Number</b>	<b>Description</b>	<b>Qty.</b>
1	84028	(000000-	) Valve, Water	1
2	15678	(000000-	) Screw, Hex, M06 X 1.0 X 16, Ss	2
3	01684	(000000-	) Washer, Flt, .25 Ss	2
4	08712	(000000-	) Nut, Hex, Lock, M06 X 1.0, NI, Ss	2
5	386490	(000000-	) Angle	2
6	69234	(000000-	) Clamp, Cable, Stl, 1.00d X 0.62w, 1h	2
7	15675	(000000-	) Screw, Hex, M08 X 1.25 X 16, Ss	5
8	08709	(000000-	) Nut, Hex, Lock, M08 X 1.25,NI	3
9	01685	(000000-	) Washer, Flt, .31 Ss	7
10	1015045	(000000-	) Hose, Afmkt, Pvc, Brd 0.75id 8 Ft	1
11	40566	(000000-	) Fitting, Plstc, E90, Bm12/Bm12	3
12	1015048	(000000-	) Hose, Afmkt, Pvc, Brd 0.75id 1 Ft	1
13	1011521	(000000-	) Hose, Afmkt Replmt, Pvc, Brd 0.50id 2 Ft	1
14	78398	(000000-	) Fitting, Plstc, Str, Bm12/Pm08, Nyl	1
15	1011403	(000000-	) Hose, Afmkt Replmt, Pvc, Brd 0.50id 1 Ft	1
16	11399	(000000-	) Clamp, Hose, Wormdrive, 0.81-1.50d	6
17	79572	(000000-	) Fitting, Plstc, E90, Pf08/Pf08	1
18	1010668	(000000-	) Fitting, Plstc, Y, Bm08/Bm08/Bm08 Nyl	1
19	1010832	(000000-	) Bar Assy, Spray [7300/8300]	1
20	07471	(000000-	) Clamp, Cable, Stl, 0.75d X 0.75w, 1h	1
21	1014875	(000000-	) Bracket, Spray Bar, 48" [7300/8300]	1
22	49826	(000000-	) Screw, Hex, M8 X 1.25 X 16, Ss, NI	2
23	32492	(000000-	) Washer, Flat, 0.38 Std	2
24	79273-4	(000000-	) Fitting, Plstc, Str, Bm08/Pm08	1
25	64778	(000000-	) Fitting, Plstc, E90, Bm08/Pm06	1
26	54333	(000000-	) Clamp, Hose, Wormdrive, 0.31-0.88d	6
27	48610	(000000-	) Fitting, Plstc, Str, Bm08/Pm04 (ec-H2O)	1
28	1017413	(003747-	) Housing, Cplg, Qf / Pm08 (FaST)	1

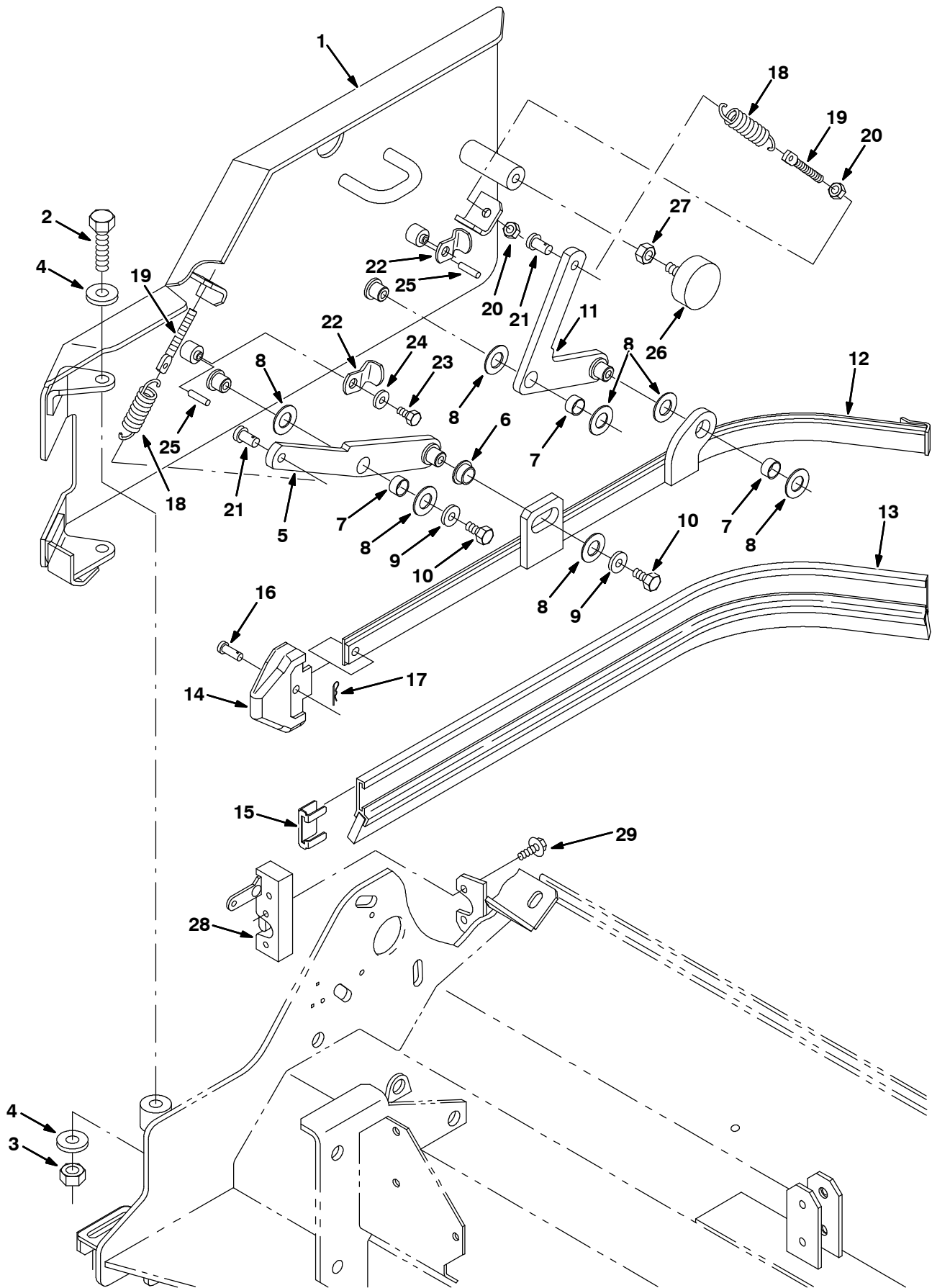
**Fig. 38 - Max Pro 1200 (Cylindrical Brush) Edge Scrub Group**



**Fig. 38 - Max Pro 1200 (Cylindrical Brush) Edge Scrub Group**

<b>Ref.</b>	<b>Tennant Part No.</b>	<b>Machine Serial Number</b>	<b>Description</b>	<b>Qty.</b>
1	363120	(000000-	) Roller	2
2	222277	(000000-	) Sleeve	2
3	04843	(000000-	) Bushing, Flng, 0.63b 0.72d 0.25l	4
4	222505	(000000-	) Screw, Hex, M08 X 1.25 X 45, Ss	2
5	386040	(000000-	) Rail Wldt, Lift, Cyl Head	1
6	222556	(000000-	) Sleeve	2
7	67767	(000000-	) Clamp, Cable, Stl, 0.69d X 0.62w, 1h	1
8	08716	(000000-	) Screw, Hex, M06 X 1.0 X 20, Ss	1
9	39308	(000000-	) Screw, Soc, M08 X 1.25 X 25, 12.9	2
10	01685	(000000-	) Washer, Flt, .31 Ss	4
11	363237	(000000-	) Shunt, 2Hd Mtrs, Scrub 515, Red	1
12	33930	(000000-	) Screw, Hex, M06 X 1.0 X 40, Ss	2
13	01684	(000000-	) Washer, Flt, .25 Ss	3
14	08712	(000000-	) Nut, Hex, Lock, M06 X 1.0, NI, Ss	3
15	77270	(000000-	) Screw, Hex, M08 X 1.25 X 60, Ss	1
16	08713	(000000-	) Nut, Hex, Lock, M08 X 1.25,NI, Ss	1
17	58494	(000000-	) Stud, Ball, .39d .31-16, Gasspring	2
18	14725	(000000-	) Nut, Retainer, .31-18	2
19	386048	(000000-	) Arm Wldt, Pivot, Side, [7300/8300]	1
20	29584	(000000-	) Pin, Clevis, 0.37 D X 2.00l	1
21	01686	(000000-	) Washer, Flt, .38 Ss	1
22	39005	(000000-	) Pin, Cotter, .094 X 0.75	1
23	364858	(000000-	) Gasspring, 56lb, 6.3strk	1
24	364404	(000000-	) Cable, .13d, 15.5l, .50eye /.50eye	1

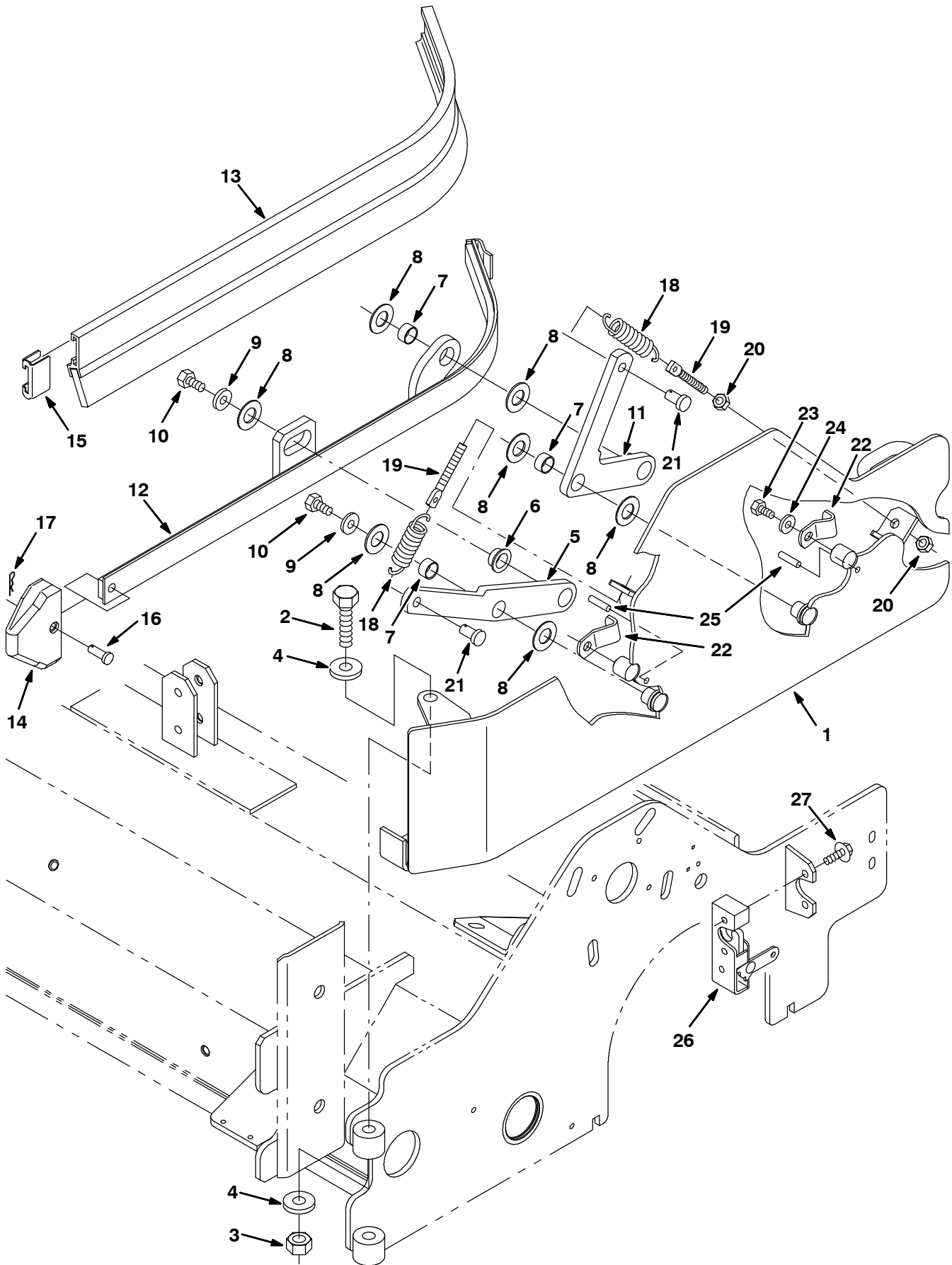
Fig. 39 - Max Pro 1200 (Cylindrical Brush) Right Side Squeegee Group



**Fig. 39 - Max Pro 1200 (Cylindrical Brush) Right Side Squeegee Group**

<b>Ref.</b>	<b>Tennant Part No.</b>	<b>Machine Serial Number</b>	<b>Description</b>	<b>Qty.</b>
1	387271	(000000-	) Guard Wldt, Rh, [Mp1200]	1
2	09774	(000000-	) Screw, Hex, M12 X 1.75 X 50, Ss	2
3	09741	(000000-	) Nut, Hex, Lock, M12 X 1.75,NI, Ss	2
4	33925	(000000-	) Washer, Flat, M12, 13x24x2.5ss	4
5	386269	(000000-	) Arm Wldt, Front, Rh	1
6	25735	(000000-	) Bushing, Fling, 0.63b 0.75d 0.38l	1
7	71607	(000000-	) Bushing, Sleeve, 0.63b 0.72d 0.38l	3
8	64425	(000000-	) Washer, Thrust, 0.61b 1.25d .06, Fgl	7
9	01686	(000000-	) Washer, Flt, .38 Ss	4
10	386868	(000000-	) Screw, Hex, M08x1.25 X12,Ss	4
11	386268	(000000-	) Arm Wldt, Rear, Rh	1
12	386263	(000000-	) Frame Wldt, Sqge, Side, Rh	1
13	386260	(000000-	) Squeegee, Side	1
14	386986	(000000-	) Guide, Point, Side Sqge	1
15	86759	(000000-	) Retainer, Sqge	1
16	386987	(000000-	) Pin, Clevis, 0.31d 0.88l	1
17	08085	(000000-	) Pin, Hair Cotter, 0.31 D .058 Wir	1
18	87816	(000000-	) Spring, Extn, 0.75od X 0.09wir, 2.5l	2
19	386088	(000000-	) Bolt, Eye, M8 X 1.25, 2.75l	2
20	07786	(000000-	) Nut, Hex, Std, M08 X 1.25, Ss	4
21	41305	(000000-	) Pin, Clevis, 0.37 D X 0.75l	2
22	386507	(000000-	) Arm, Latch	2
23	09744	(000000-	) Screw, Hex, M06 X 1.0 X 12, Ss	2
24	01684	(000000-	) Washer, Flt, .25 Ss	2
25	17404	(000000-	) Pin, Roll, .250 D X 0.75l, .250/.256	2
26	70756	(000000-	) Bumper, Rbr, 2.0d 0.75t .38-16	1
27	01692	(000000-	) Nut, Hex, Std, .38-16, Ss	1
28	72439	(000000-	) Latch	1
29	16949	(000000-	) Screw, Hex, .25-20 X 0.75, Sems	4

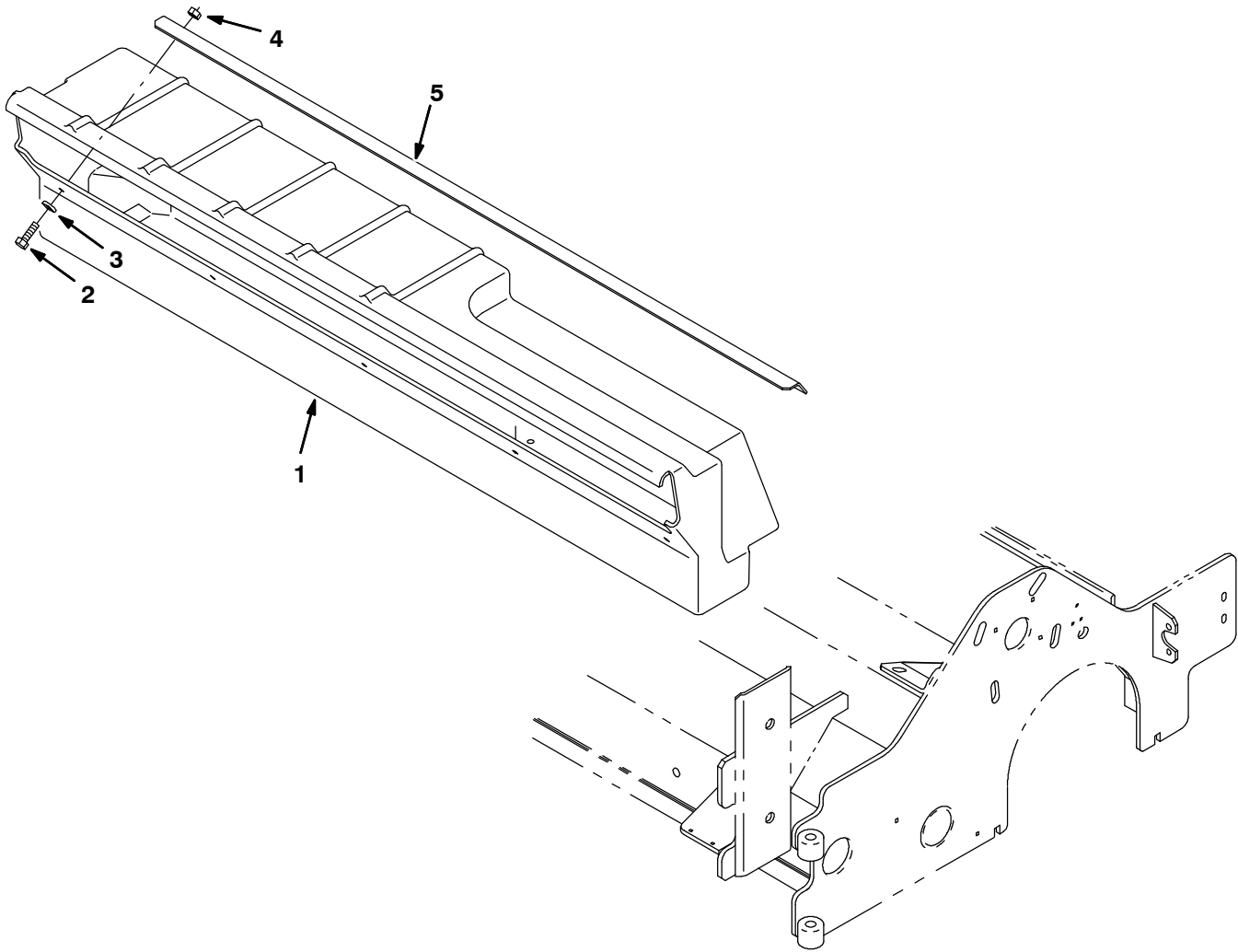
Fig. 40 - Max Pro 1200 (Cylindrical Brush) Left Side Squeegee Group



**Fig. 40 - Max Pro 1200 (Cylindrical Brush) Left Side Squeegee Group**

<b>Ref.</b>	<b>Tennant Part No.</b>	<b>Machine Serial Number</b>	<b>Description</b>	<b>Qty.</b>
1	386496	(000000-	) Guard Wldt, Lh	1
2	09774	(000000-	) Screw, Hex, M12 X 1.75 X 50, Ss	2
3	09741	(000000-	) Nut, Hex, Lock, M12 X 1.75,NI, Ss	2
4	33925	(000000-	) Washer, Flat, M12, 13x24x2.5ss	4
5	386276	(000000-	) Arm Wldt, Front, Lh	1
6	25735	(000000-	) Bushing, Flng, 0.63b 0.75d 0.38l	1
7	71607	(000000-	) Bushing, Sleeve, 0.63b 0.72d 0.38l	3
8	64425	(000000-	) Washer, Thrust, 0.61b 1.25d .06, Fgl	7
9	01686	(000000-	) Washer, Flt, .38 Ss	4
10	386868	(000000-	) Screw, Hex, M08x1.25 X12,Ss	4
11	386275	(000000-	) Arm Wldt, Rear, Lh	1
12	386262	(000000-	) Frame Wldt, Sqge, Side, Lh	1
13	386260	(000000-	) Squeegee, Side	1
14	386986	(000000-	) Guide, Point, Side Sqge	1
15	86759	(000000-	) Retainer, Sqge	1
16	386987	(000000-	) Pin, Clevis, 0.31d 0.88l	1
17	08085	(000000-	) Pin, Hair Cotter, 0.31 D .058 Wir	1
18	87816	(000000-	) Spring, Extn, 0.75od X 0.09wir, 2.5l	2
19	386088	(000000-	) Bolt, Eye, M8 X 1.25, 2.75l	2
20	07786	(000000-	) Nut, Hex, Std, M08 X 1.25, Ss	4
21	41305	(000000-	) Pin, Clevis, 0.37 D X 0.75l	2
22	386507	(000000-	) Arm, Latch	2
23	09744	(000000-	) Screw, Hex, M06 X 1.0 X 12, Ss	2
24	01684	(000000-	) Washer, Flt, .25 Ss	2
25	17404	(000000-	) Pin, Roll, .250 D X 0.75l, .250/.256	2
26	59661	(000000-	) Latch	1
27	16949	(000000-	) Screw, Hex, .25-20 X 0.75, Sems	4

Fig. 41 - Max Pro 1200 (Cylindrical Brush) Debris Tray Group

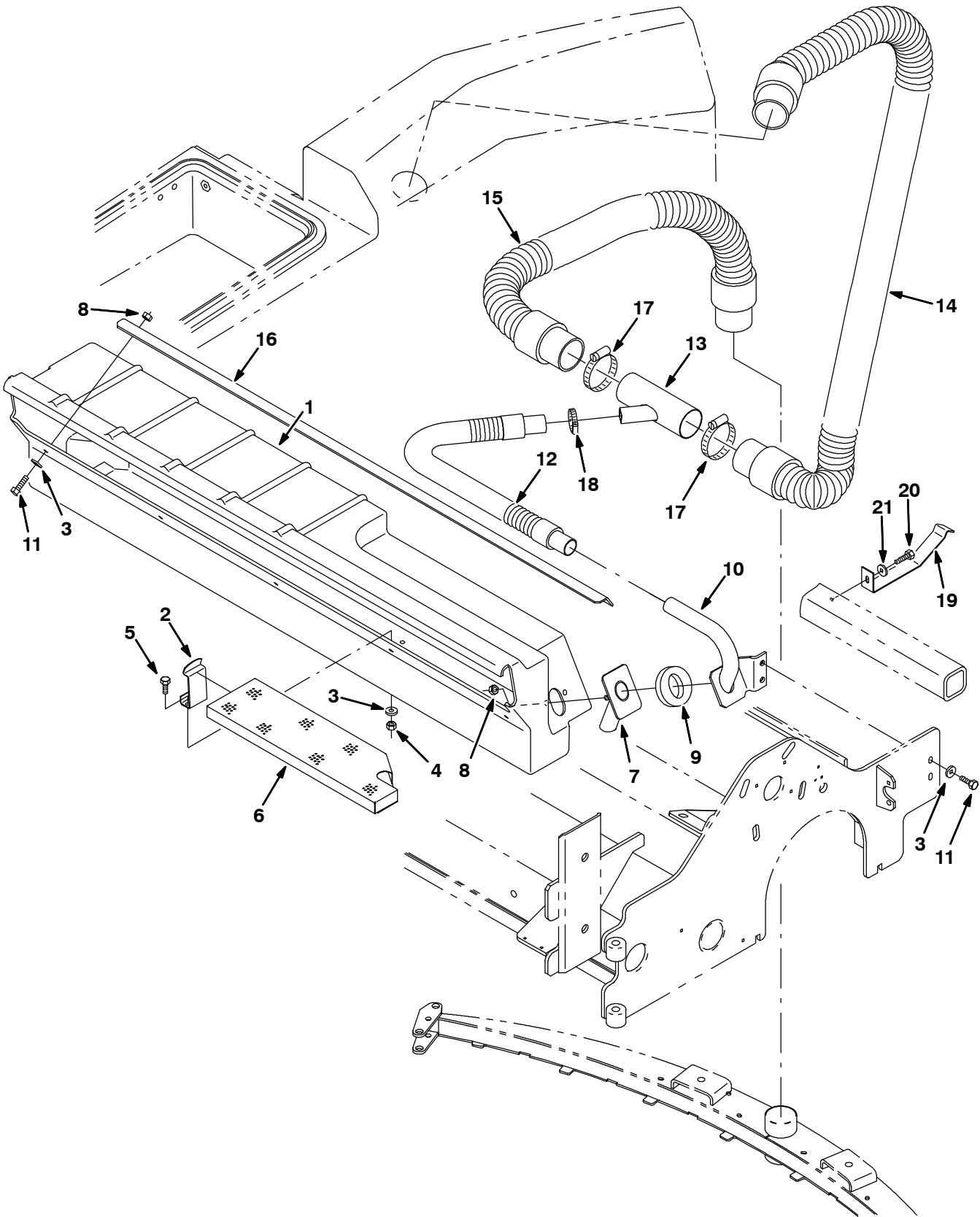




**Fig. 41 - Max Pro 1200 (Cylindrical Brush) Debris Tray Group**

<b>Ref.</b>	<b>Tennant Part No.</b>	<b>Machine Serial Number</b>	<b>Description</b>	<b>Qty.</b>
1	387672	(000000-	) Tray, Debris, 48L, W/Holes	1
2	08716	(000000-	) Screw, Hex, M6X1.0X20, Ss	5
3	01684	(000000-	) Washer, Flat, 0.25 Ss	5
4	08712	(000000-	) Nut, Hex, Lock, M6X1.0, Ss, NI	5
5	387254	(000000-	) Angle	1

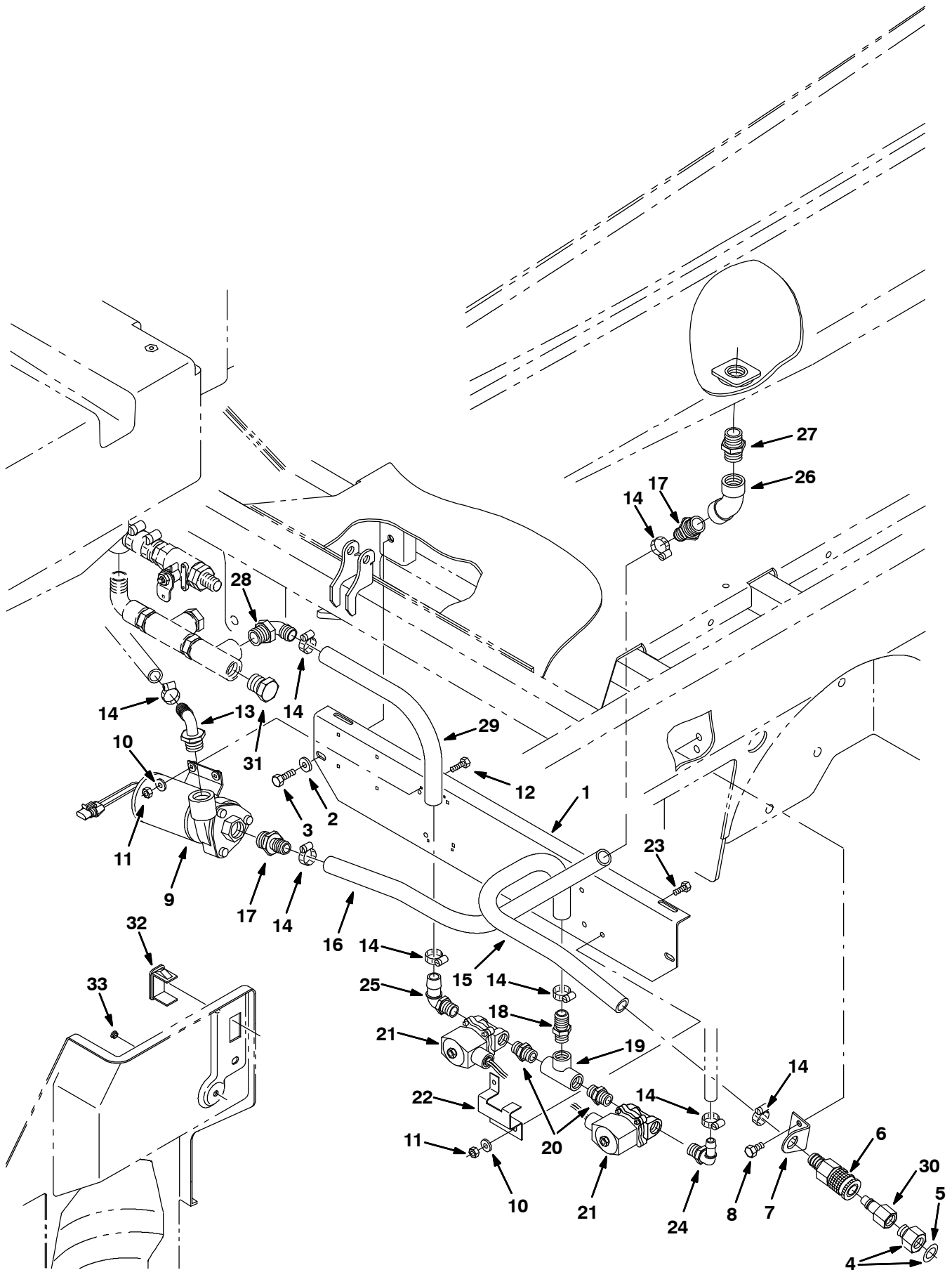
Fig. 42 - Max Pro 1200 (Cylindrical Brush) Vacuumized Debris Tray Group



**Fig. 42 - Max Pro 1200 (Cylindrical Brush) Vacuumized Debris Tray Group**

<b>Ref.</b>	<b>Tennant Part No.</b>	<b>Machine Serial Number</b>	<b>Description</b>	<b>Qty.</b>
1	386513	(000000-	) Tray, Debris, 48.0l	1
2	87244	(000000-	) Clip, Spring, Prop Arm	1
3	01684	(000000-	) Washer, Flt, .25 Ss	14
4	08712	(000000-	) Nut, Hex, Lock, M06 X 1.0, NI, Ss	2
5	09744	(000000-	) Screw, Hex, M06 X 1.0 X 12, Ss	2
6	386500	(000000-	) Screen Wldt	1
7	386503	(000000-	) Tube Wldt	1
8	08712	(000000-	) Nut, Hex, Lock, M06 X 1.0, NI, Ss	7
9	386504	(000000-	) Gasket, Foam	1
10	386510	(000000-	) Tube Wldt, Upper	1
11	08716	(000000-	) Screw, Hex, M06 X 1.0 X 20, Ss	7
12	222788	(000000-001702	) Hose Assy, W/2cuff, 1.0d, 23l	1
12	387517	(001703-	) Hose Assy, W/2cuff, 1.0d, 41l	1
13	386518	(000000-	) Tube Wldt	1
14	386514	(000000-001702	) Hose, Vacuum, 58.5l	1
14	1005133	(001703-	) Hose Assy, W/2cuff, 2.0d 75l	1
15	387256	(000000-001702	) Hose, Vacuum, 35.0l	1
15	1005135	(001703-	) Hose Assy, W/2cuff, 2.0d 26l	1
16	387254	(000000-	) Angle	1
17	14432	(000000-	) Clamp, Hose, Wormdrive, 1.81-2.75d	2
18	11399	(000000-	) Clamp, Hose, Wormdrive, 0.81-1.50d	1
19	1002464	(001703-	) Bracket, Tube , Tee	1
20	361339	(001703-	) Screw, Hex, M 6 X 1.0 X 16, Fmg	1
21	32483	(001703-	) Washer, Flat, 0.25 Sae	1

Fig. 43 - ES Pump Group

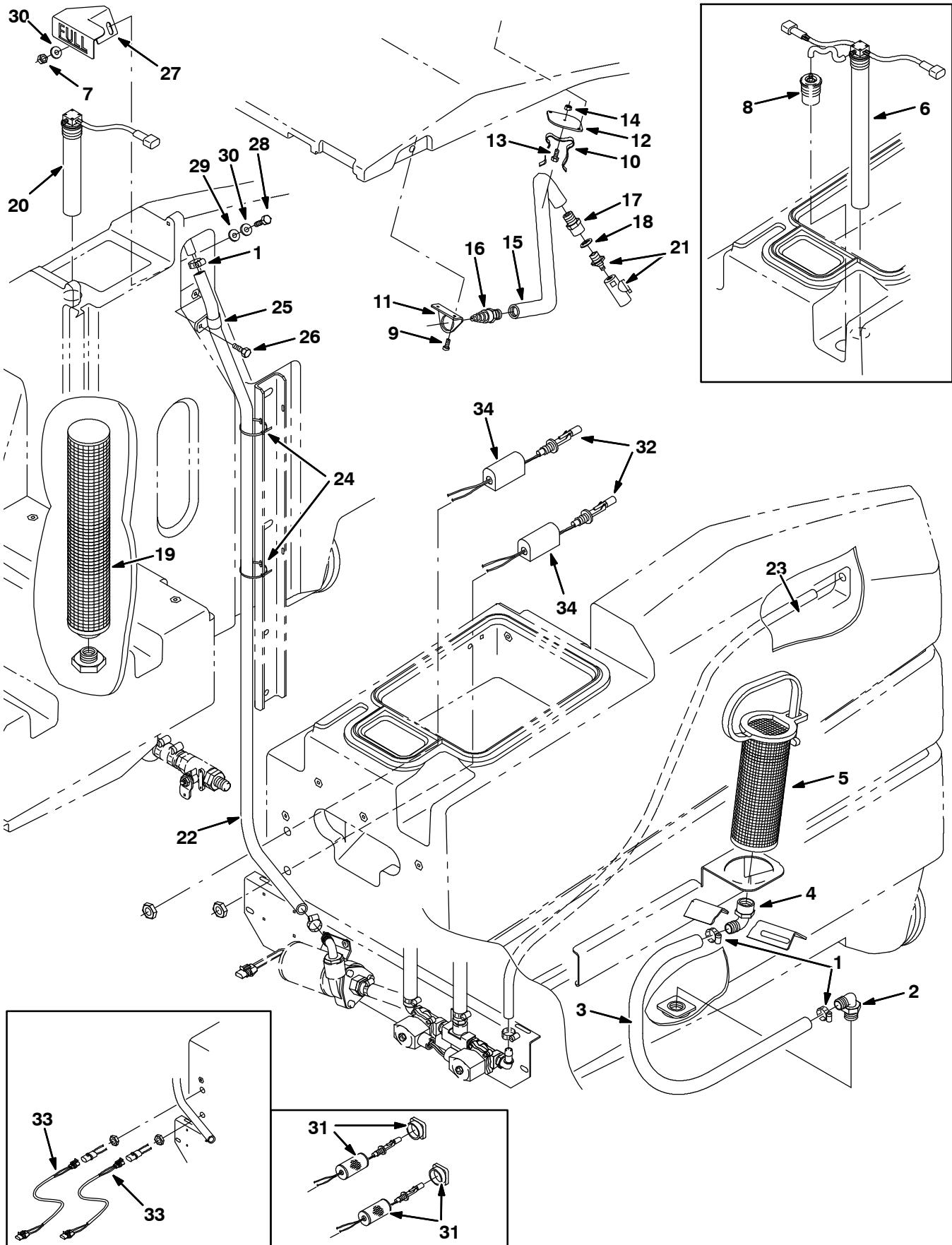


**Fig. 43 - ES Pump Group**

NOTE: ES™ Kit, TENNANT Part Number 386557, includes Fig. 43, Fig. 44, and Fig. 45.

Ref.	Tennant Part No.	Machine Serial Number	Description	Qty.
1	386392	(000000-	) Angle, Mtg, Es	1
2	01685	(000000-	) Washer, Flt, .31 Ss	2
3	09010	(000000-	) Screw, Hex, M08 X 1.25 X 25, Ss	2
▽ 4	375322	(000000-	) Kit, Fitting, Garden Hose	1
▲ 5	01316	(000000-	) Washer, Rbr, .12 0.66b 1.00d	1
6	24105	(000000-	) Fitting, Brs, Qdc, Bm12/Qf08	1
7	386394	(000000-	) Bracket, Mtg, Es	1
8	15675	(000000-	) Screw, Hex, M08 X 1.25 X 16, Ss	2
9	369865	(000000-	) Pump, Solution, Impeller, 36vdc	1
10	01684	(000000-	) Washer, Flt, .25 Ss	7
11	08712	(000000-	) Nut, Hex, Lock, M06 X 1.0, NI, Ss	7
12	09007	(000000-	) Screw, Hex, M06 X 1.0 X 25, Ss	4
13	73468	(000000-	) Fitting, Plstc, E90, Bm10/Pm12	1
14	63810	(000000-	) Clamp, Hose, Wormdrive, 0.56-1.06d	8
15	73475	(000000-	) Hose, Pvc, Brd, 0.75id 1.00od 19.00l	1
16	385666	(000000-	) Hose, Pvc, Brd, 0.75id 1.00od 26.00l	1
17	79273-2	(000000-	) Fitting, Plstc, Str, Bm12/Pm12	2
18	78398	(000000-	) Fitting, Plstc, Str, Bm12/Pm08	1
19	79497	(000000-	) Fitting, Plstc, Tee, Pf08/Pf08/Pf08	1
20	86508	(000000-	) Fitting, Plstc, Str, Pm08/Pm08	2
21	41410	(000000-	) Valve, Solenoid, 36vdc	2
22	364545	(000000-	) Bracket, Sppt, Auto Fill	1
23	15678	(000000-	) Screw, Hex, M06 X 1.0 X 16, Ss	3
24	63244-1	(000000-	) Fitting, Plstc, E90, Bm08/Pm08	1
25	63244-2	(000000-	) Fitting, Plstc, E90, Bm12/Pm08	1
26	10575	(000000-	) Fitting, Plstc, E45, Pf12/Pf12	1
27	24544	(000000-	) Fitting, Plstc, Str, Pm12/Pm12	1
28	14877	(000000-	) Fitting, Plstc, E90, Bm12/Pm12	1
29	387340	(000000-	) Hose, Water, Vyl, Brd, .75ld 14.0L	1
30	33295	(000000-	) Fitting, Qm, Male	1
31	75611	(000000-	) Fitting, Plstc, Plug, Pm12	1
32	398501	(000000-	) Plug, Hole, Rt, Rocker Switch, .87 X 1.7	1
33	33807	(000000-	) Plug, Hole, Rnd, 0.44h .03-.12, Blk Nyl	1

Fig. 44 - ES Tank Goup

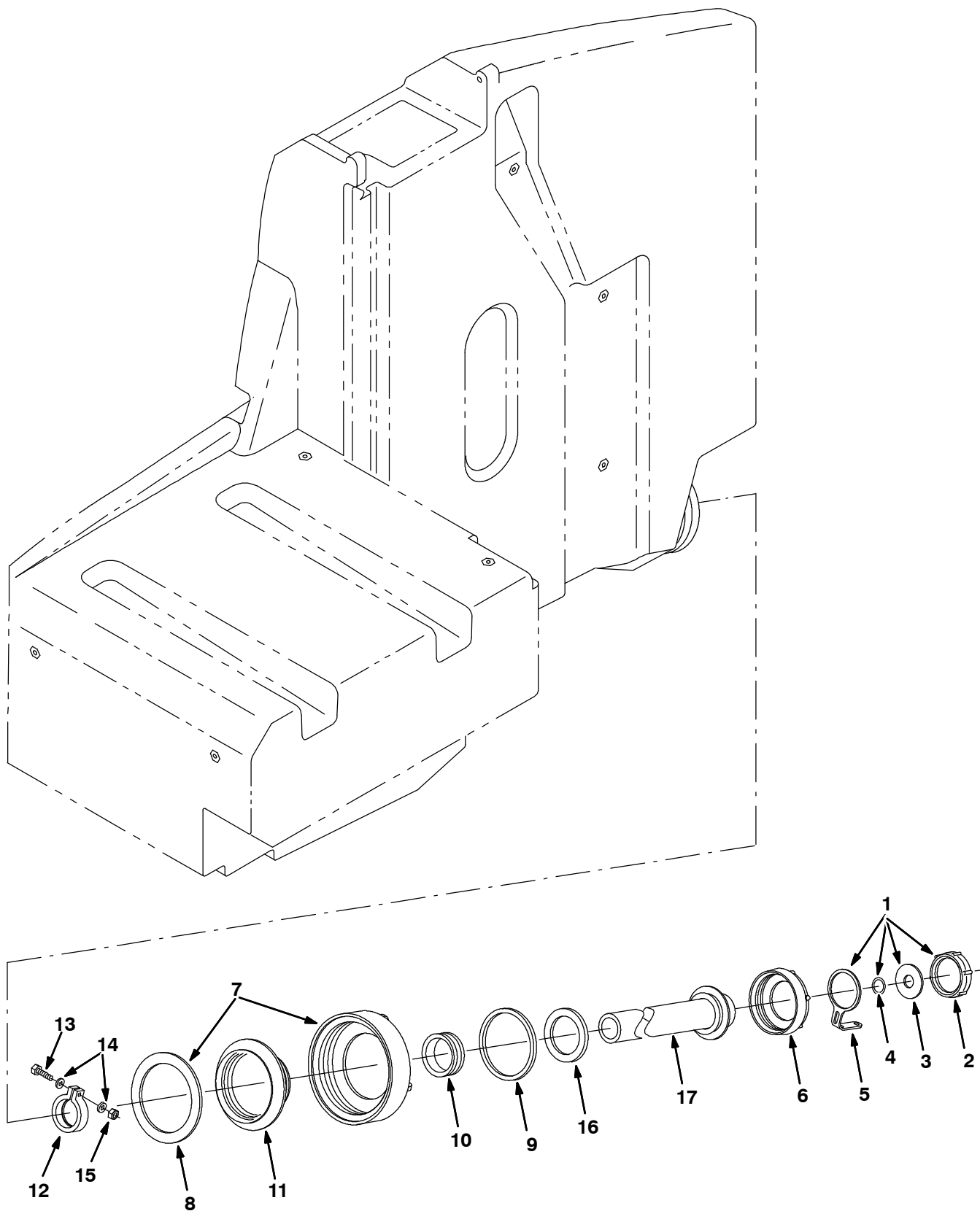


**Fig. 44 - ES Tank Group**

NOTE: ES™ Kit, TENNANT Part Number 386557, includes Fig. 43, Fig. 44, and Fig. 45.

Ref.	Tennant Part No.	Machine Serial Number	Description	Qty.
1	63810	(000000-	) Clamp, Hose, Wormdrive, 0.56-1.06d, .56w	3
2	14877	(000000-	) Fitting, Plstc, E90, Bm12/Pm12	2
3	387266	(000000-	) Hose, Vyl, Brd, .75id 28.0l	1
4	24543	(000000-	) Fitting, Plstc, E90, Bm12/Pf12	1
5	386652	(000000-	) Strainer, Pump, Es	1
6	375427	(000000-001541	) Switch Assy, Dual Press, 14" Tube	1
7	08713	(000000-	) Nut, Hex, Lock, M08 X 1.25,NI, Ss	1
8	13292	(000000-001541	) Hose, Vacuum, 0.16id X 05.0l	1
9	360943	(000000-	) Screw, Pan, #10-14 X 0.75, F/ Plstc	4
10	67004	(000000-	) Clip, Finger Grip	1
11	387225	(000000-	) Angle, Wand, Clean-Out	1
12	387226	(000000-	) Plate, Wand, Clean-Out	1
13	09206	(000000-	) Screw, Hex, M04 X 0.7 X 12, 8.8	1
14	02850	(000000-	) Nut, Hex, Lock, M04 X 0.7, NI	1
15	387109	(000000-	) Wand, Clean-Out	1
16	387159	(000000-	) Nozzle, Water	1
17	387160	(000000-	) Fitting, Plstc, Str, 08pmtxgarden	1
18	387161	(000000-	) Washer, Rbr, .68idx1.0od	1
19	387045	(000000-	) Strainer, Tank, Solution	1
20	375426	(000000-	) Switch Assy, Press, 3 Inch, 8" Tube	1
21	382991	(000000-	) Valve, Flow Control, Hose Adapter	1
22	387236	(000000-	) Hose, Vyl, Brd, .62id 55.0l	1
23	375308	(000000-	) Hose, Pvc, Clr, 0.50id 0.69od 50.00l	1
24	49266	(000000-	) Tie, Cable, Nyl, 07.3l .19w 1.8 Max D	2
25	69234	(000000-	) Clamp, Cable, Stl, 1.00d X 0.62w, 1h	1
26	49826	(000000-	) Screw, Hex, M08 X 1.25 X 16, Ss, NI	1
27	387061	(000000-	) Bracket, Full	1
28	09011	(000000-	) Screw, Hex, M08 X 1.25 X 30, Ss	1
29	63416	(000000-	) Washer, 0.31b 0.88d .12, Rbr	1
30	01685	(000000-	) Washer, Flt, .31 Ss	2
31	375302	(001542-002264	) Strainer, Soltn, Switch Guard (Repl By 1019285)	2
32	222822	(001542-002036	) Sensor, Level, Liquid [Magnetic]	2
32	385685	(002037-	) Sensor, Level, Liquid [Magnetic]	2
33	369766	(001542-002036	) Harness, Sensor, Jumper	2
34	1019285	(002265-	) Bracket, Protector, Float Switch	2

Fig. 45 - ES Drain Assembly





**Fig. 45 - ES Drain Assembly**

NOTE: ES™ Kit, TENNANT Part Number 386557, includes Fig. 43, Fig. 44, and Fig. 45.

	<b>Ref.</b>	<b>Tennant Part No.</b>	<b>Machine Serial Number</b>	<b>Description</b>	<b>Qty.</b>
▽		387467	(000000-	) Kit, Drain Hose, Solution Side	1
▲▽	1	32501	(000000-	) Kit, Cap, Drain	1
▲▲	2	32613	(000000-	) Cap, Tank, Drain, 2.25 Thread Pye	1
▲▲	3	32614	(000000-	) Gasket, Cap	1
▲▲	4	32669	(000000-	) Ring, Retaining, Ext, 0.75d, Ss	1
▲▲	5	32508	(000000-	) Strap	1
▲	6	14880	(000000-	) Cap, Tank, Drain, 3.85 Thread Pye	1
▲▽	7	24358	(000000-	) Cap, Tank	1
▲▲	8	1031699	(000000-	) Gasket, .19, 4.05id 5.29od [Buna]	1
▲	9	79320	(000000-	) Gasket, Cap, Drain	1
▲	10	41421	(000000-	) Seal	1
▲	11	14864	(000000-	) Cover, Insert	1
▲	12	41454	(000000-	) Clamp, Hose, Plstc, 1.60d X 0.62w	1
▲	13	12316	(000000-	) Screw, Hex, M05 X 0.8 X 25, Ss	1
▲	14	01683	(000000-	) Washer, Flt, #10 Ss	1
▲	15	09739	(000000-	) Nut, Hex, Lock, M05 X 0.8, NI, Ss	1
▲	16	41451	(000000-	) Gasket, Lid	1
▲	17	386423	(000000-	) Hose Assy, Drain	1

Fig. 46 - ec-H2O Solution Pump Group

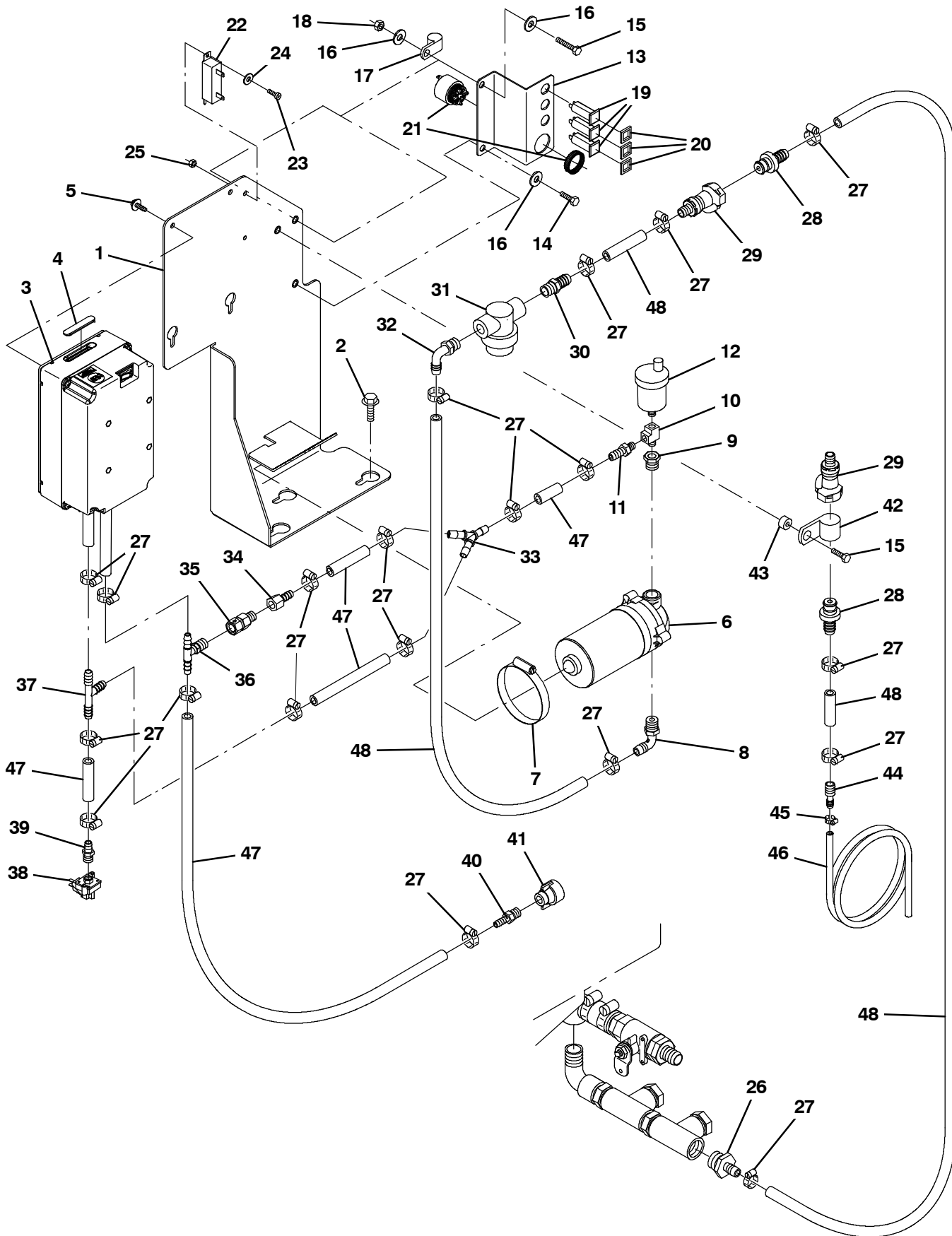
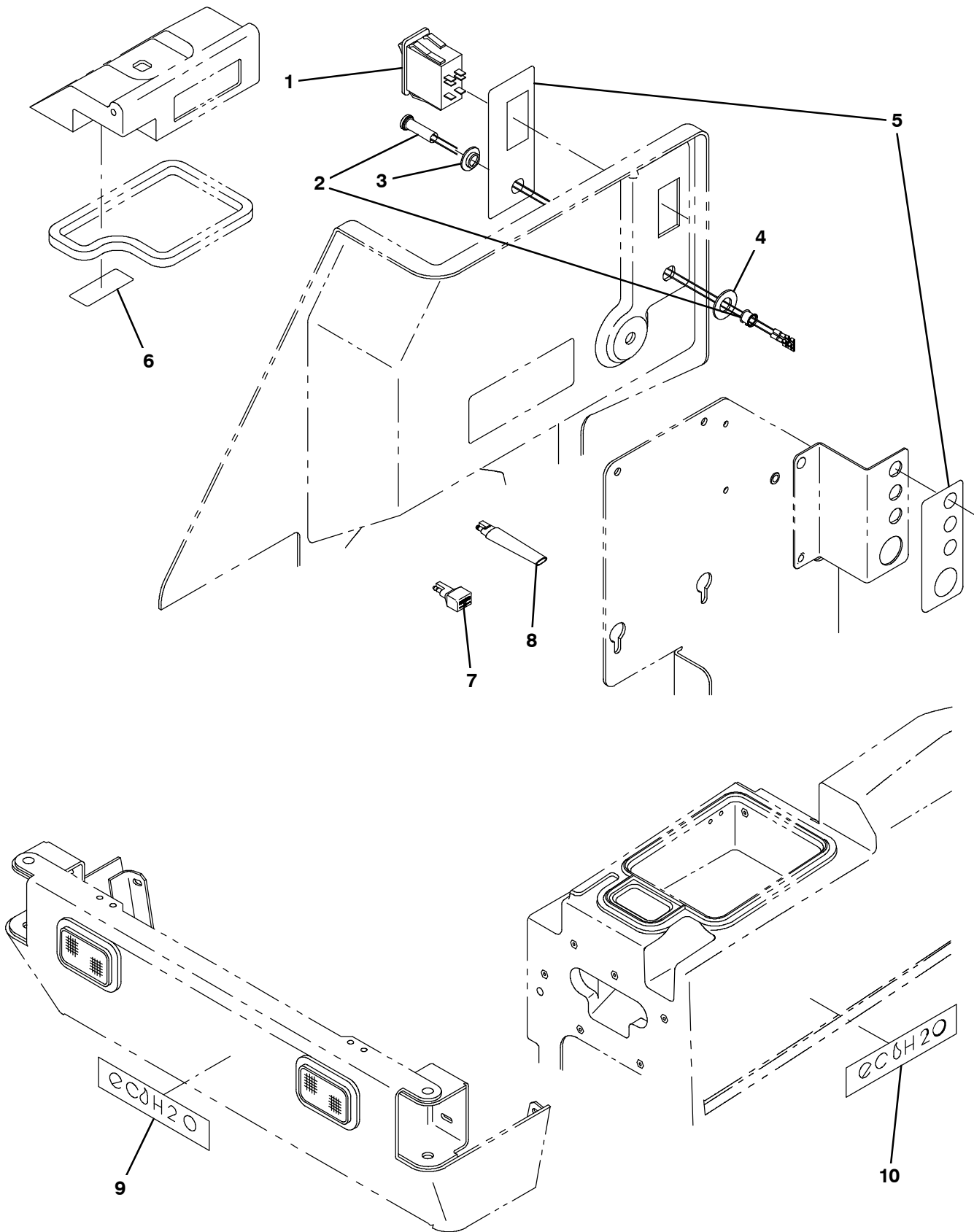


Fig. 46 - ec-H2O Solution Pump Group

Ref.	Tennant Part No.	Machine Serial Number	Description	Qty.
1	1055336	(000000-	) Bracket Wldt, Module	1
2	1037346	(000000-	) Screw, Hex, M8 X 1.25 X 25, 9.8, Sems	3
3	9006210	(000000-	) Module, Water, W/Pkg [7300 Ec-H2o] (See Breakdowns)	1
4	1050431	(000000-	) Grommet, Blind	1
5	1040467	(000000-	) Screw, Hex, M6 X 1.00 X 20, 9.8, Sems	4
6	1005866	(000000-	) Pump, Soltn, Ele, 36vdc (See Breakdowns)	1
7	17188	(000000-	) Clamp, Hose, Wormdrive, 2.50-3.50d, .50w	1
8	64778	(000000-	) Fitting, Plstc, E90, Bm08/Pm06	1
9	24698	(000000-	) Fitting, Brs, Str, Pf02/Pm06	1
10	26426	(000000-	) Fitting, Brs, Tee, Pf02/Pf02/Pm02, Run	1
11	1005375	(000000-	) Fitting, Plstc, Str, Bm06/Pm02, Nyl	1
12	1017386	(000000-	) Valve, Vent, Air, Float Type	1
13	1052683	(000000-	) Bracket, Component	1
14	16735	(000000-	) Screw, Hex, M8 X 1.25 X 16, 8.8	1
15	76570	(000000-	) Screw, Hex, M8 X 1.25 X 30, 8.8	2
16	32490	(000000-	) Washer, Flat, 0.25, Std	3
17	82829	(000000-	) Clamp, Cable, Stl, 0.63d X 0.75w, 1hole	1
18	08709	(000000-	) Nut, Hex, Lock, M8 X 1.25, NI	1
19	1053078	(000000-	) Circuitbreaker, 2.0a, Resetable	3
20	1046173	(000000-	) Boot, Circuitbreaker	3
21	1052726	(000000-	) Alarm, 9-48vdc, 95 Db(A) [Ec-H2O]	1
22	1056416	(000000-	) Resistor, 011.00 Ohm, 0040Watt [5%]	1
23	12312	(000000-	) Screw, Hex, M5 X 0.80 X 12, 8.8	2
24	01683	(000000-	) Washer, Flat, 10, Ss	2
25	07789	(000000-	) Nut, Hex, Flng, M5 X 0.80	2
26	79273-1	(000000-	) Fitting, Plstc, Str, Bm08/Pm12	1
27	54333	(000000-	) Clamp, Hose, Wormdrive, 0.31-0.88d, .31w	19
28	1017415	(000000-	) Insert, Cplg, Qm, Bm08	2
29	1017413	(000000-	) Housing, Cplg, Qf / Pm08	2
30	64743	(000000-	) Fitting, Plstc, Str, Bm08/Pm06	1
31	1005302	(000000-	) Filter, In-Line, Pf06/Pf06 080mesh 02.6l	1
32	64778	(000000-	) Fitting, Plstc, E90, Bm08/Pm06	1
33	1017255	(000000-	) Fitting, Plstc, Y, Bm06/Bm06/Bm06, Nyl	1
34	150511	(000000-	) Fitting, Brs, Str, Bm06/Pf04	1
35	1055255	(000000-	) Valve, Check, 0030psi Pm04/Pf04	1
36	1052832	(000000-	) Fitting, Plstc, Tee, Bm05/Bm05/Pm04	1
37	87173	(000000-	) Fitting, Plstc, Tee, Bm06/Bm06/Bm06	1
38	1055254	(000000-	) Switch, Press, 25 Psi, Pm02	1
39	150016	(000000-	) Fitting, Brs, Str, Bm06/Pf02, Spcl	1
40	1052017	(000000-	) Fitting, Plstc, Str, Bm05/Pm04	1
41	1043866	(000000-	) Fitting Assy, Qdc, Pf04	1
42	40678-1	(000000-	) Clamp, Cable, Stl, 0.88d X 0.62w, 1hole	1
43	360352	(000000-	) Tube, 0.34id 0.62od 00.2l, Stl	1
44	630164	(000000-	) Fitting, Plstc, Str, Bm04/Bm08	1
45	43844	(000000-	) Clamp, Hose, Wormdrive, 0.25-0.62d, .31w	1
46	1011411	(000000-	) Hose, Afmkt, Pvc, Brd, 0.25id, 03ft	1
47	1014976	(000000-	) Hose, Afmkt, Pvc, Brd, 0.38id, 08ft, Clr	1
48	1011412	(000000-	) Hose, Afmkt, Pvc, Brd, 0.50id, 08ft, Clr	1

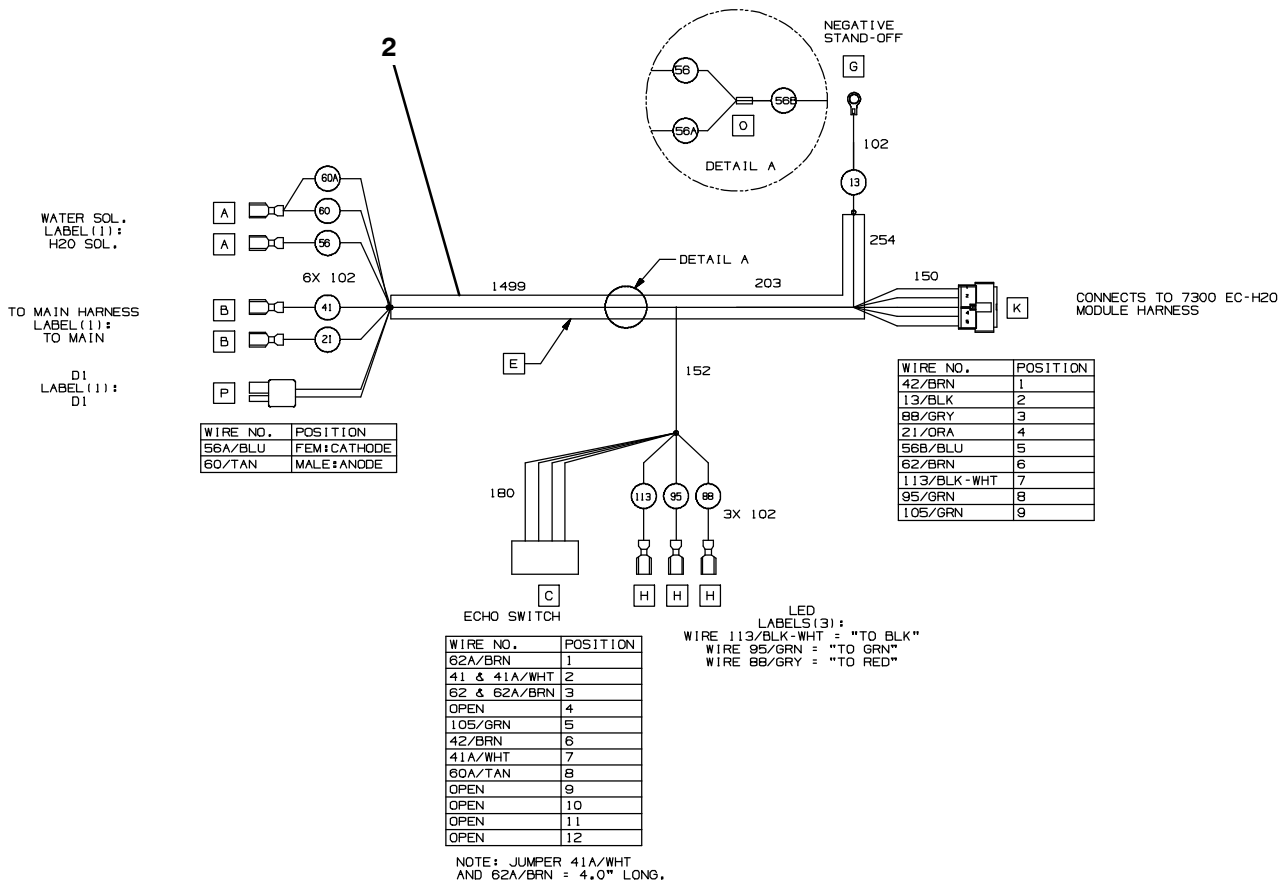
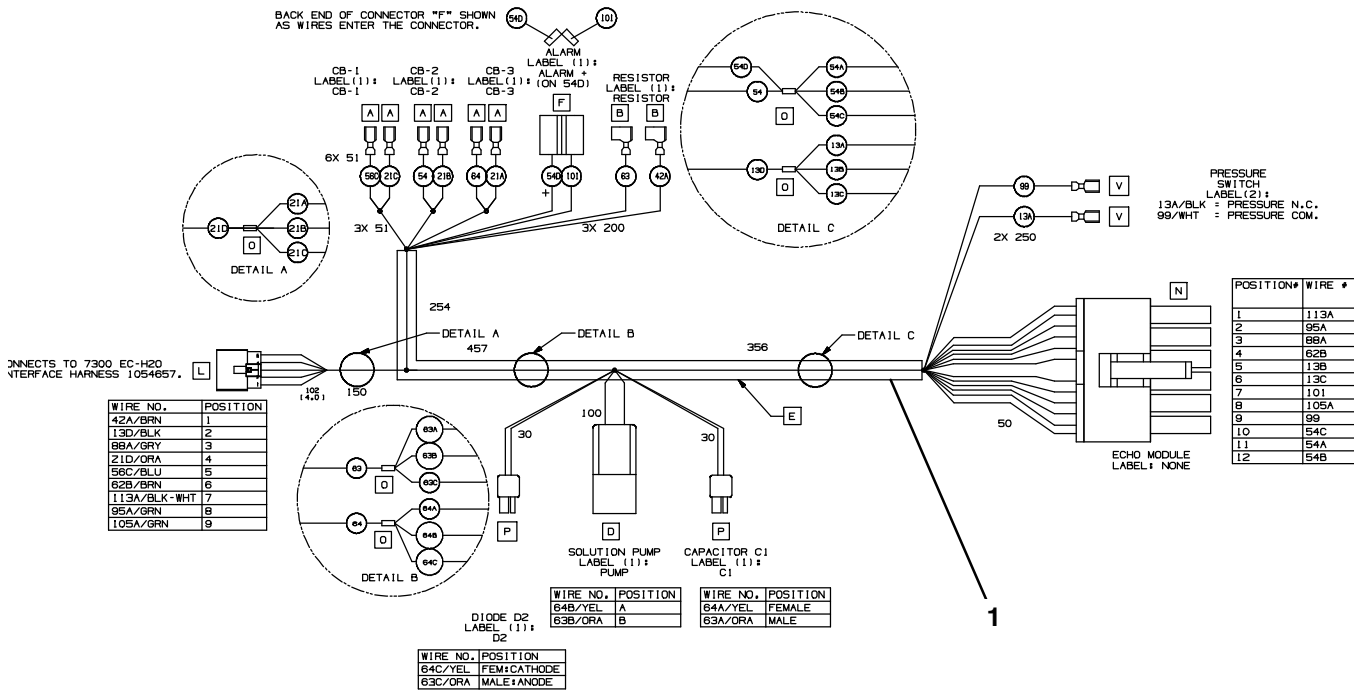
Fig. 47 - ec-H2O Switch and Label Group



**Fig. 47 - ec-H20 Switch and Label Group**

<b>Ref.</b>	<b>Tenant Part No.</b>	<b>Machine Serial Number</b>	<b>Description</b>	<b>Qty.</b>
1	377084	(000000-	) Switch, Rocker, Prgrsv	1
2	1041822	(000000-	) Light, Led, .312d, 2 Volt [Tri-Color]	1
3	1055883	(000000-	) Bushing, Light, Led	1
4	43454	(000000-	) Washer, Flat, 0.34b 0.69d .06, Nyl	1
5	1056331	(000000-	) Label Set, Opertnl [7300 ec-H2O]	1
6	1050003	(000000-	) Label [User, Attention, Ec-H2o]	1
7	222290	(000000-	) Diode, Ele, Plug	1
8	1040868	(000000-	) Capacitor, Plug [.01 Uf, 200v]	1
9	1052755	(000000-	) Label, Front [Ec-H2o, T15]	1
10	1056944	(000000-	) Label, Tank [ec-H20]	2

Fig. 48 - ec-H2O Wire Harness Group



**Fig. 48 - ec-H20 Wire Harnesses Group**

<b>Ref.</b>	<b>Tenant Part No.</b>	<b>Machine Serial Number</b>	<b>Description</b>	<b>Qty.</b>
1	1050664	(000000-	) Harness, Wire [7300 Ec-H2o, Module]	1
2	1054657	(000000-	) Harness, Wire [7300, Ec-H2o Interface]	1

Fig. 49 - Positive Solution Control Drain Kit, Recovery Tank

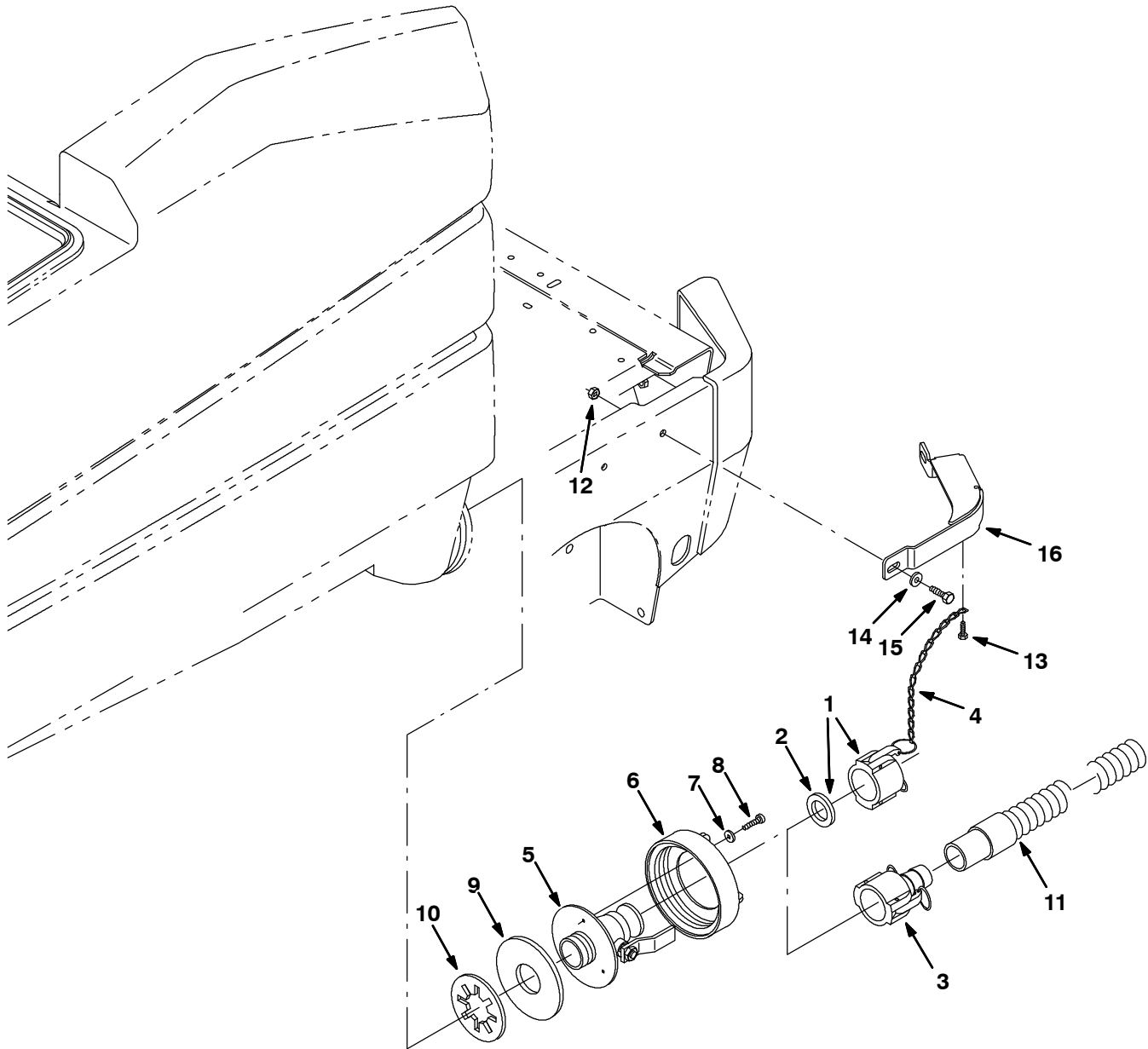




Fig. 49 - Positive Solution Control Drain Kit, Recovery Tank

	Ref.	Tennant Part No.	Machine Serial Number	Description	Qty.
▽		387127	(000000-	) Kit, Ci, Drain, Soltn, Pos, Cntrl, Recvy	1
▲▽		387221	(000000-	) Cap Assy	1
▲▲	1	48733	(000000-	) Cap, Dust	1
▲▲	2	371905	(000000-	) Gasket, Cap, Dust	1
▲	3	48734	(000000-	) Fitting, Coupler, Hose, Shank, Fem	1
▲	4	19903	(000000-	) Chain, Sash, #35, 07.2l 13 Link	1
▲	5	1049269	(000000-	) Valve, Ball, Drain, 1.50ID, Ss, Rwk	1
▲	6	23456	(000000-	) Cap, Tank, Drain, 6.17 Thread Pye	1
▲	7	01684	(000000-	) Washer, Flt, .25 Ss	3
▲	8	09744	(000000-	) Screw, Hex, M6 X 1.00 X 12, Ss	3
▲	9	1031700	(000000-	) Gasket, .19, 2.00ld 5.38OD [BUNA]	1
▲	10	20932	(000000-	) Washer, Polye	1
▲	11	75635	(000000-	) Hose Assy, W/1cuff, 1.5d 120l 1.5/	1
▲	12	07792	(000000-	) Nut, Hex, Flng, M10 X 1.5	2
▲	13	74455	(000000-	) Screw, Hex, M6 X 1.0 X 12, Fmg	1
▲	14	32492	(000000-	) Washer, Flt, .38 Std	2
▲	15	39284	(000000-	) Screw, Hex, M10 X 1.5 X 35, 8.8	2
▲	16	387213	(000000-	) Bumper, Posi Drain, Recvy Side	1

**Fig. 50 - Positive Solution Control Drain Kit, Solution Tank**

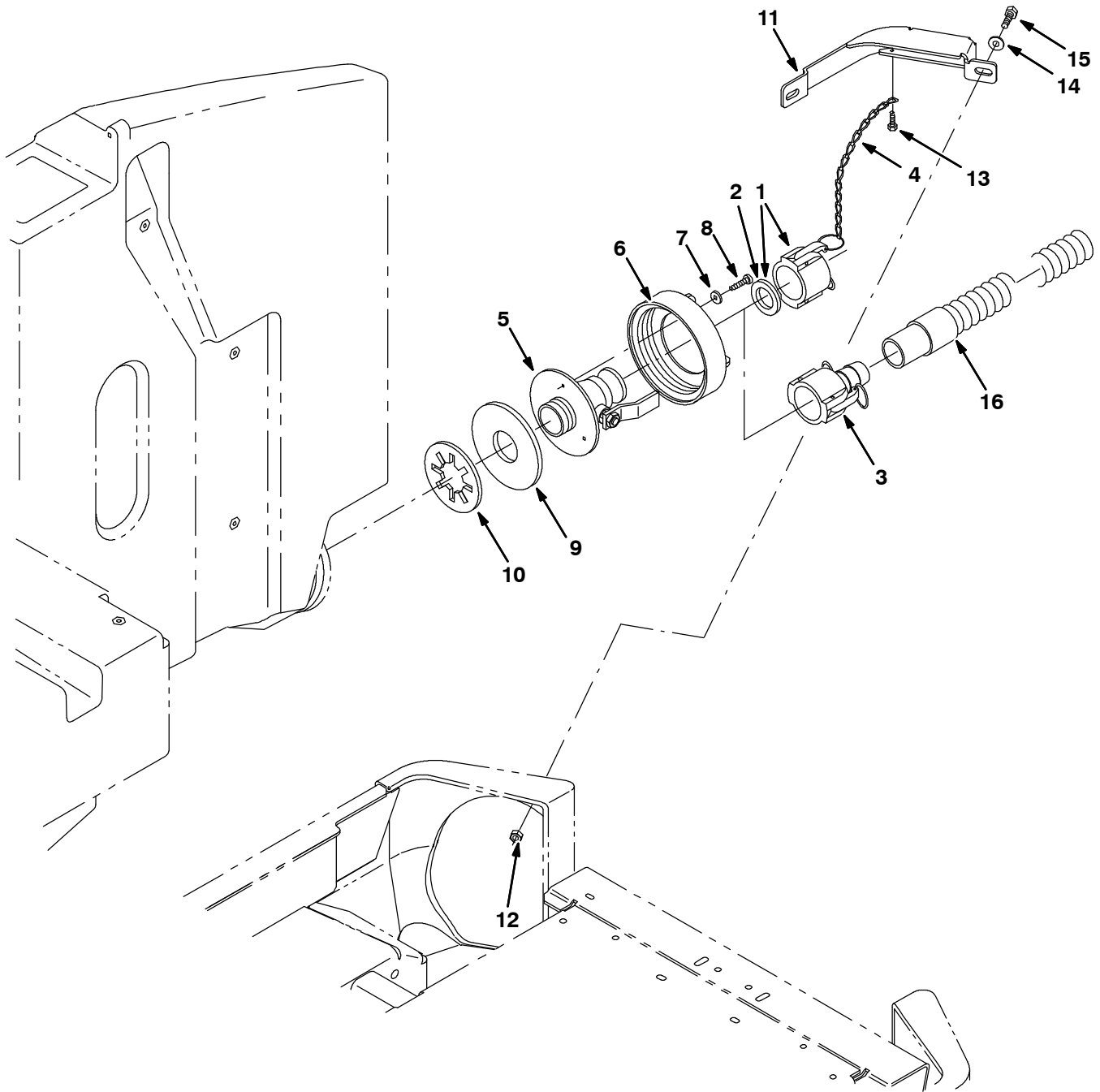
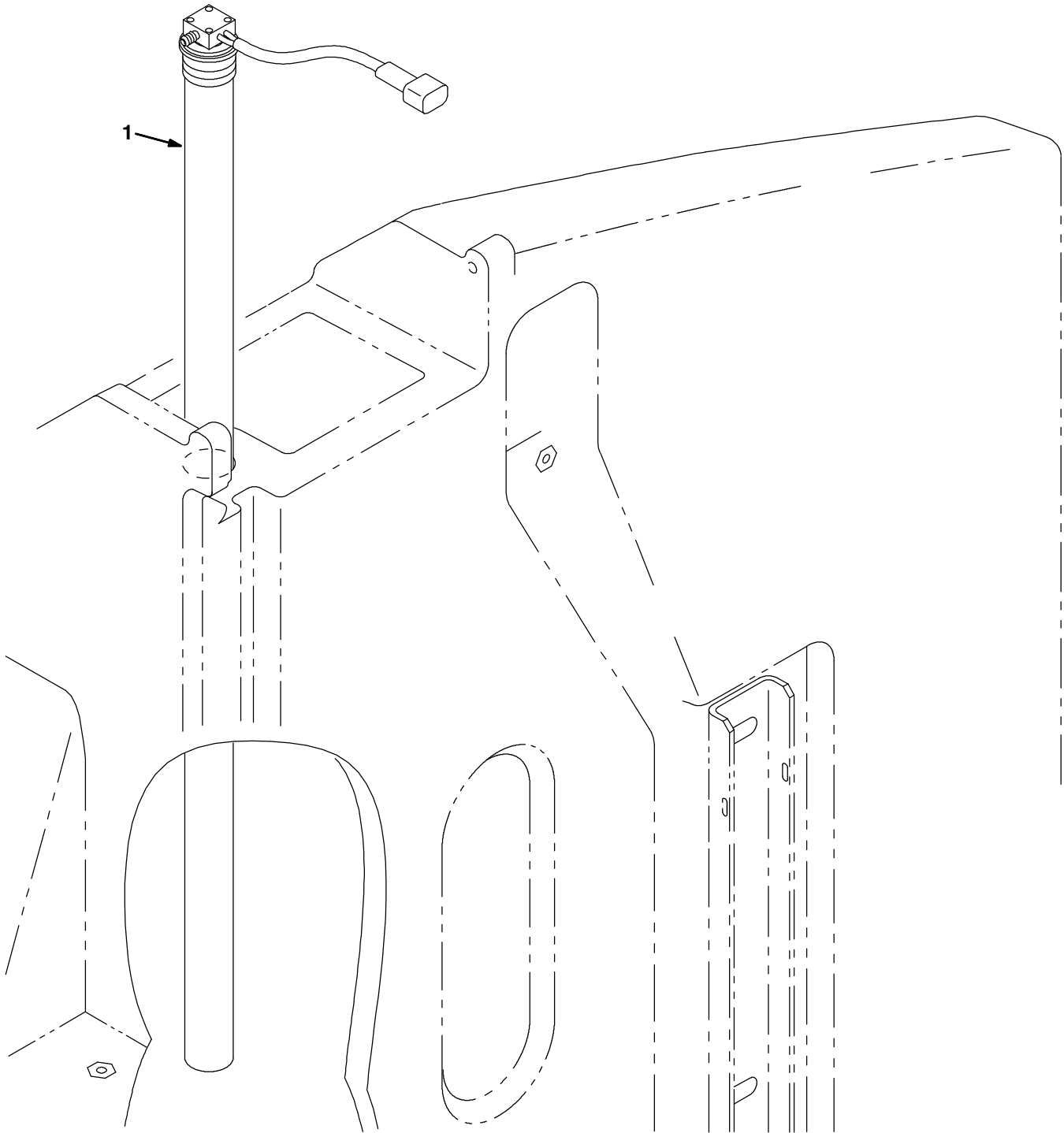


Fig. 50 - Positive Solution Control Drain Kit, Solution Tank

Ref.	Tennant Part No.	Machine Serial Number	Description	Qty.
▽	387483	(000000-	) Kit, Ci, Drain, Soltn, Pos Cntrl, Soltn	1
▲▽	1 48733	(000000-	) Cap, Dust	1
▲▲	2 371905	(000000-	) Gasket, Cap, Dust	1
▲	3 48734	(000000-	) Fitting, Coupler, Hose, Shank, Fem	1
▲	4 19903	(000000-	) Chain, Sash, #35, 07.2l 13 Link	1
▲	5 1049269	(000000-	) Valve, Ball, Drain, 1.50ID, Ss, Rwk	1
▲	6 23456	(000000-	) Cap, Tank, Drain, 6.17 Thread Pye	1
▲	7 01684	(000000-	) Washer, Flt, .25 Ss	3
▲	8 09744	(000000-	) Screw, Hex, M6 X 1.00 X 12, Ss	3
▲	9 1031700	(000000-	) Gasket, .19, 2.00ld 5.38OD [BUNA]	1
▲	10 20932	(000000-	) Washer, Polye	1
▲	11 387126	(000000-	) Bumper, Posi Drain, Recvy Side	1
▲	12 07792	(000000-	) Nut, Hex, Flng, M10 X 1.5	2
▲	13 74455	(000000-	) Screw, Hex, M6 X 1.0 X 12, Fmg	1
▲	14 32492	(000000-	) Washer, Flt, .38 Std	2
▲	15 39284	(000000-	) Screw, Hex, M10 X 1.5 X 35, 8.8	2
▲	16 75635	(000000-	) Hose Assy, W/1cuff, 1.5d 120l 1.5/	1

Fig. 51 - Low Water Level Kit



**Fig. 51 - Low Water Level Kit**

	<b>Ref.</b>	<b>Tennant Part No.</b>	<b>Machine Serial Number</b>	<b>Description</b>	<b>Qty.</b>
▽		387003	(000000-	) Kit, Ci, Indicator, Low Water Level	1
▲	1	375431	(000000-	) Kit, Replmt, Press Switch/34" Tube	1

Fig. 52 - Detergent Metering Kit

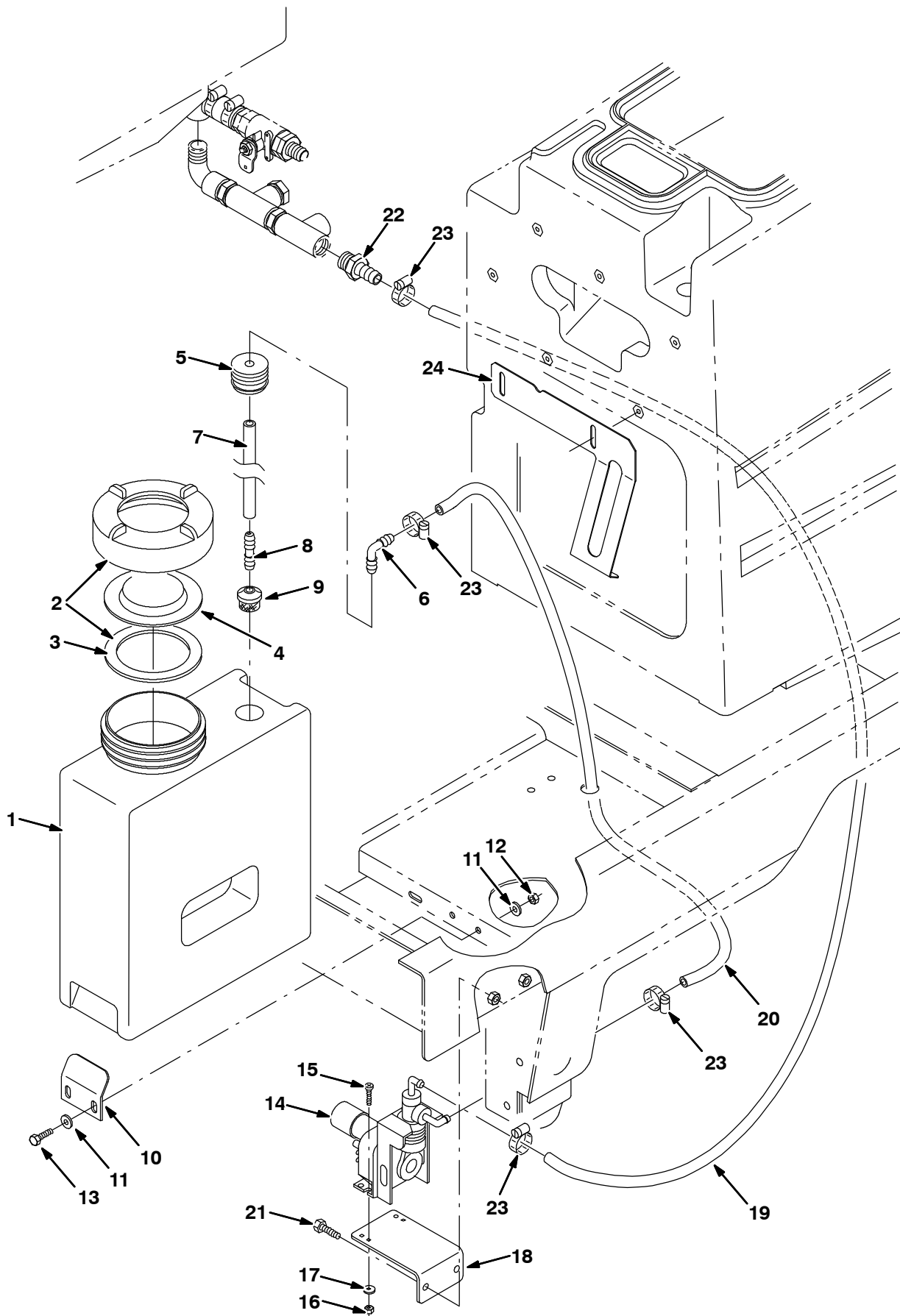
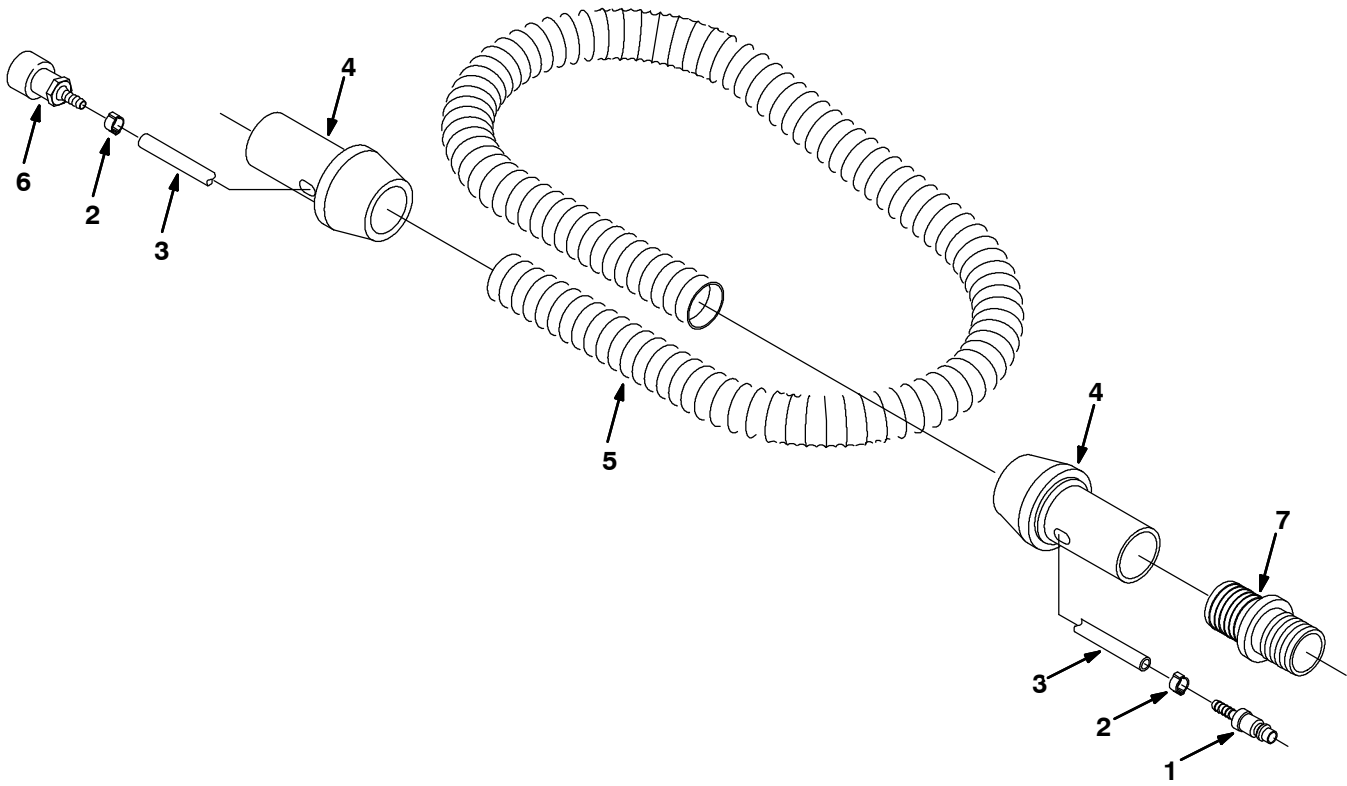


Fig. 52 - Detergent Metering Kit

	Ref.	Tennant Part No.	Machine Serial Number	Description	Qty.
▽		386482	(000000-	) Kit, Ci, Detgt Metering	1
▲	1	386163	(000000-	) Tank, Detergent	1
▲▽	2	24358	(000000-	) Cap, Tank	1
▲▲	3	1031699	(000000-	) Gasket, .19, 4.05id 5.29od [Buna]	1
▲	4	86636	(000000-	) Cover, Tank	1
▲	5	20944	(000000-	) Grommet, Pye, 0.37id, F/ 1.5h, .13matl	2
▲	6	20951	(000000-	) Fitting, Plstc, E90, 06bm/06bm	1
▲	7	382452	(000000-	) Hose, Pvc, Brd, 0.38id 0.60od 15.00l	1
▲	8	20950	(000000-	) Fitting, Plstc, Str, Bm06/Bm06	1
▲	9	20952	(000000-	) Screen, Pump	1
▲	10	386395	(000000-	) Plate, Mtg, Tank, Detgt	1
▲	11	01685	(000000-	) Washer, Flt, .31 Ss	4
▲	12	08713	(000000-	) Nut, Hex, Lock, M08 X 1.25,NI, Ss	2
▲	13	09023	(000000-	) Screw, Hex, M08 X 1.25 X 35, Ss	2
▲	14	386364	(000000-	) Pump, Detgt, 36vdc (See Breakdown)	1
▲	15	12323	(000000-	) Screw, Pan, M04 X 0.7 X 20, Ss	4
▲	16	33932	(000000-	) Nut, Hex, Lock, M04 X 0.7, NI, Ss	4
▲	17	41579	(000000-	) Washer, Flt, #08 Ss	4
▲	18	386462	(000000-	) Angle, Mtg, Pump, Detergent	1
▲	19	387049	(000000-	) Hose, Vyl, Brd .38id .60od 45.0l	1
▲	20	364669	(000000-	) Hose, Pvc, Brd, 0.38id 0.60od 66.00l	1
▲	21	09023	(000000-	) Screw, Hex, M08 X 1.25 X 35, Ss	2
▲	22	73467	(000000-	) Fitting, Plstc, Str, Bm06/Pm12	1
▲	23	43844	(000000-	) Clamp, Hose, Wormdrive, 0.25-0.62d	4
▲	24	386432	(000000-	) Bracket, Retaining, Tank, Detgt	1

Fig. 53 - Power Wand Hose Assembly



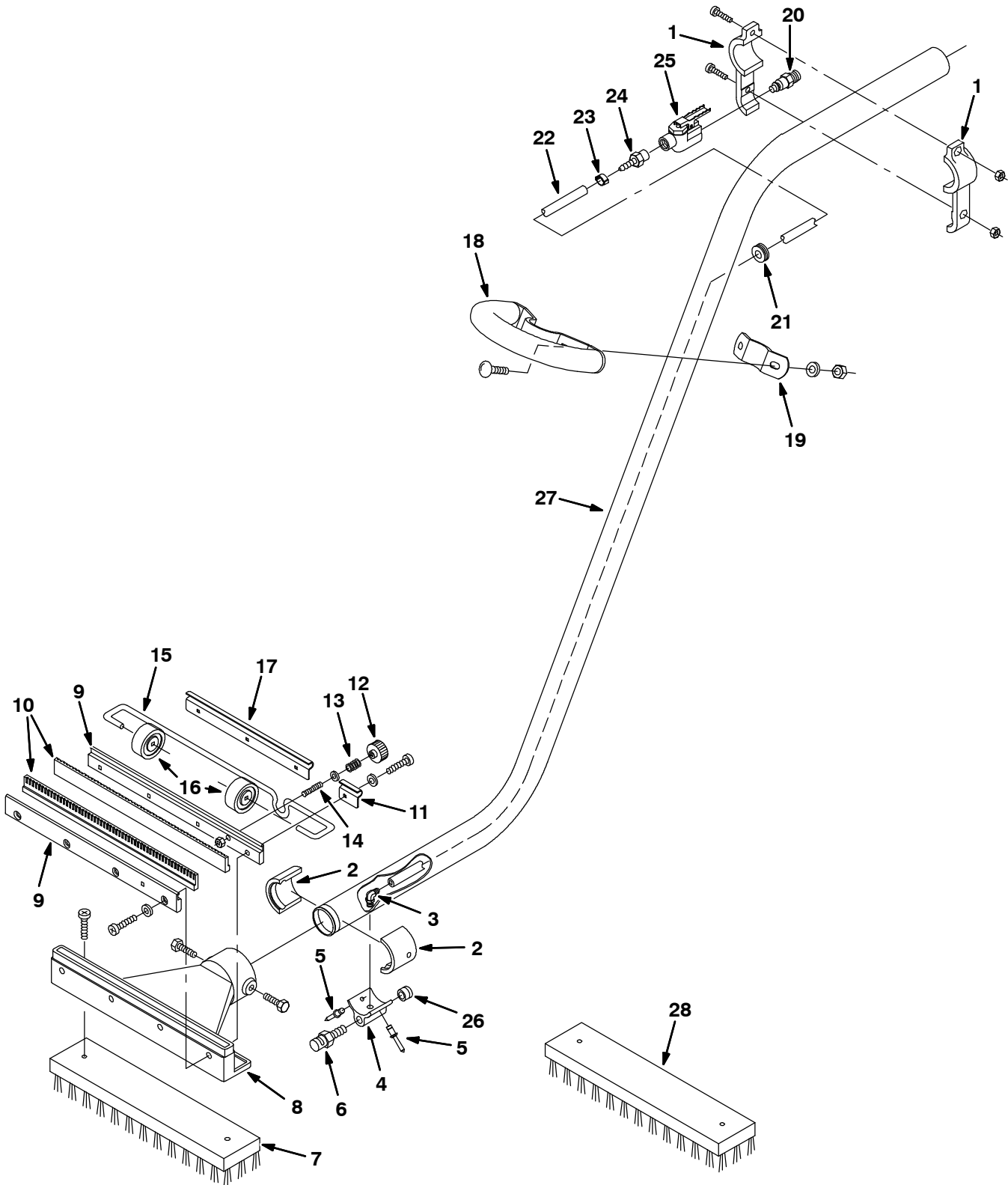


**Fig. 53 - Power Wand Hose Assembly**

*NOTE: Power Wand Kit, Tennant Part Number 387147, includes; Fig. 53, Fig. 54, Fig. 55, and Fig. 56.*

	<b>Ref.</b>	<b>Tennant Part No.</b>	<b>Machine Serial Number</b>	<b>Description</b>	<b>Qty.</b>
▽		65341	(000000-	) Hose Assembly	1
▲	1	578318000	(000000-	) Fitting, Quick Disconnect	1
▲	2	578160000	(000000-	) Clamp, Hose	2
▲	3	578820000	(000000-	) Hose	1
▲	4	578072000	(000000-	) Cuff, Swivel	2
▲	5	578276000	(000000-	) Hose, Vacuum	1
▲	6	578071000	(000000-	) Fitting, Quick Disconnect	1
	7	48609	(000000-	) Fitting, Plstc, Str, Bm24/Bm32	1

Fig. 54 - Power Wand Assembly

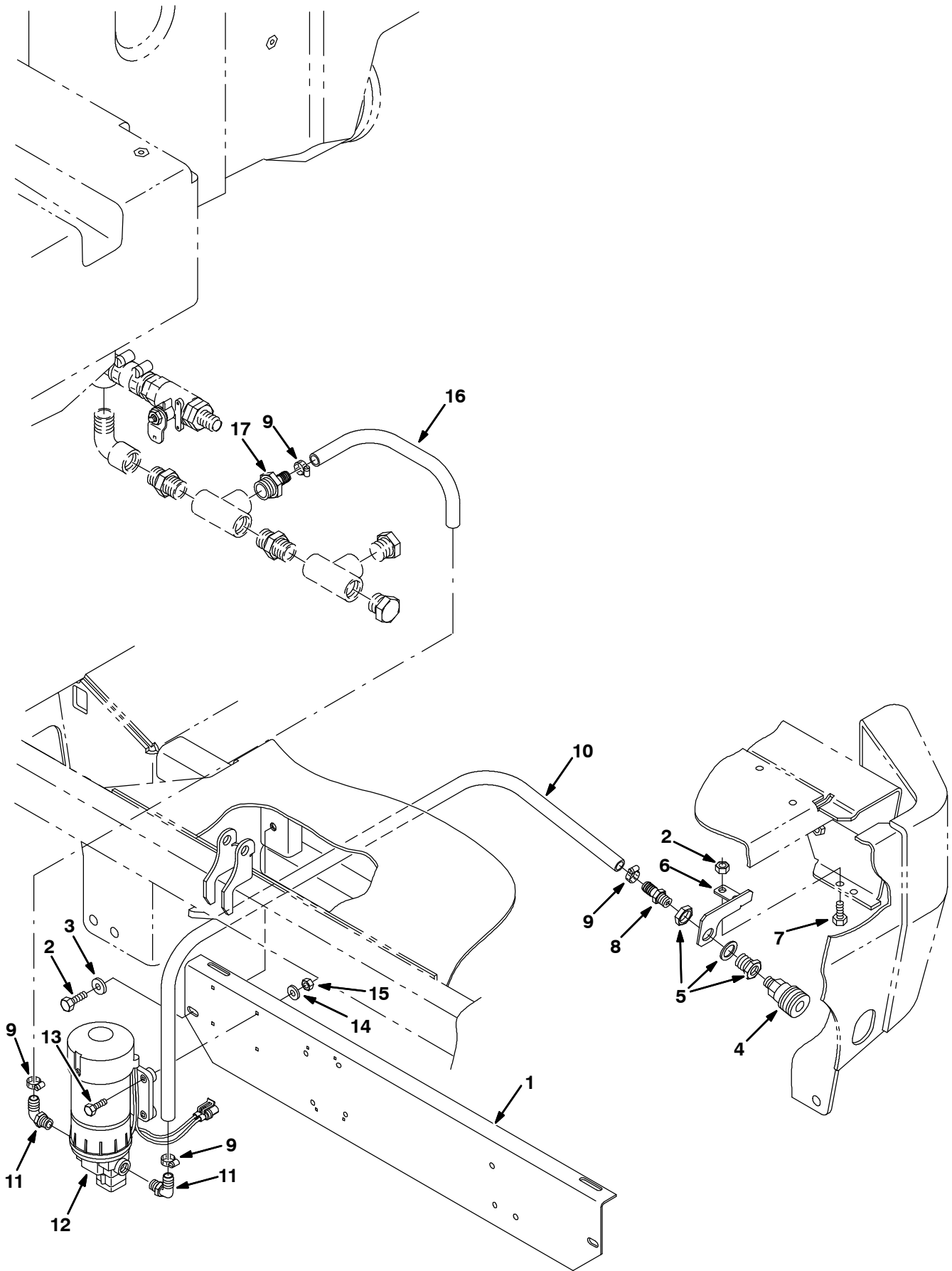


**Fig. 54 - Power Wand Assembly**

NOTE: Power Wand Kit, Tennant Part Number 387147, includes; Fig. 53, Fig. 54, Fig. 55, and Fig. 56.

Ref.	Tennant Part No.	Machine Serial Number	Description	Qty.
▽	65340	(000000-	) Kit, Wand, Power [5400]	1
▲ 1	578077000	(000000-	) Bracket, Mtg	1
▲ 2	578061000	(000000-	) Adaptor	2
▲ 3	578214000	(000000-	) Fitting, Elbow	1
▲ 4	579112	(000000-	) Adaptor	1
▲ 5	602036000	(000000-	) Rivet, Pop	2
▲ 6	578066000	(000000-	) Nozzle, Spray	1
▲ 7	65610	(000000-	) Brush, Block, Scrub, Poly	1
▲ 8	578063000	(000000-	) Head, Wand	1
▲ 9	578078000	(000000-	) Strip, Retainer	2
▲ 10	578074000	(000000-	) Blade, Squeegee	2
▲ 11	578124000	(000000-	) Bracket	1
▲ 12	578439	(000000-	) Nut, Thumb, M6 X 30mm Dia	1
▲ 13	578228000	(000000-	) Spring, Compression	1
▲ 14	578143000	(000000-	) Stud, Adj	1
▲ 15	578126000	(000000-	) Axle, Wand	1
▲ 16	578125000	(000000-	) Wheel	2
▲ 17	578123000	(000000-	) Bracket	1
▲ 18	578155000	(000000-	) Handle, Wand	1
▲ 19	578154000	(000000-	) Handle, Wand	1
▲ 20	578091000	(000000-	) Plug, Qm, .25npt	1
▲ 21	578164000	(000000-	) Grommet	1
▲ 22	578821000	(000000-	) Hose, Wand	1
▲ 23	578161000	(000000-	) Clamp, Hose	2
▲ 24	578094000	(000000-	) Fitting, Hose, Barbed, .25npt Mal	1
▲ 25	578064000	(000000-	) Valve, Water	1
▲ 26	150208	(000000-	) Plug	1
▲ 27	578060000	(000000-	) Wand	1
▲ 28	65582	(000000-	) Brush, Block, Scrub, Ab	1

Fig. 55 - Power Wand Pump and Fittings Group

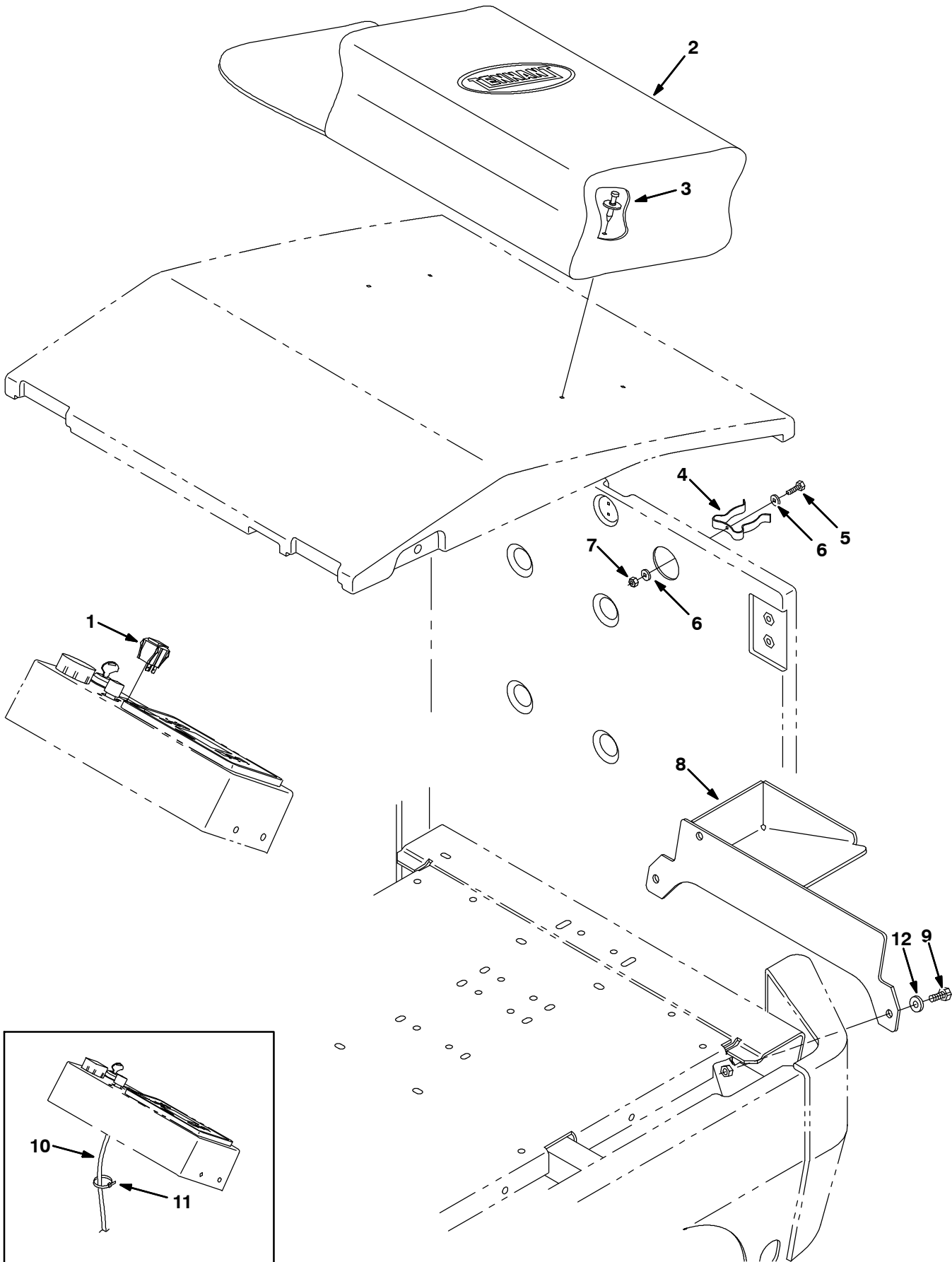


**Fig. 55 - Power Wand Pump and Fittings Group**

NOTE: Power Wand Kit, Tennant Part Number 387147, includes; Fig. 53, Fig. 54, Fig. 55, and Fig. 56.

Ref.	Tennant Part No.	Machine Serial Number	Description	Qty.
1	386392	(000000-	) Angle, Mtg, Es	1
2	09010	(000000-	) Screw, Hex, M08 X 1.25 X 25, Ss	4
3	01685	(000000-	) Washer, Flt, .31 Ss	2
4	65342	(000000-	) Fitting, Brs, Qdc, Pm04/Qf06	1
5	78122	(000000-	) Fitting, Brs, Str, Pf04/Pf04 Bkhd	1
6	386393	(000000-	) Bracket, Power Wand	1
7	08713	(000000-	) Nut, Hex, Lock, M08 X 1.25,NI, Ss	2
8	48610	(000000-	) Fitting, Plstc, Str, Bm08/Pm04	1
9	54333	(000000-	) Clamp, Hose, Wormdrive, 0.31-0.88d	4
10	84057	(000000-	) Hose, Pvc, Wir, 0.50id 0.74od 47.00l	1
11	65581	(000000-	) Fitting, Plstc, E90, Bm08/Pm04	2
12	387321	(000000-	) Pump Assy, Power Wand (See Breakdown)	1
13	09007	(000000-	) Screw, Hex, M06 X 1.0 X 25, Ss	4
14	01684	(000000-	) Washer, Flt, .25 Ss	4
15	08712	(000000-	) Nut, Hex, Lock, M06 X 1.0, NI, Ss	4
16	63184	(000000-	) Hose, Pvc, Wir, 0.50id 0.75od 15.50l	1
17	79273-1	(000000-	) Fitting, Plstc, Str, Bm08/Pm12	1

Fig. 56 - Power Wand Mount Group



**Fig. 56 - Power Wand Mount Group**

NOTE: Power Wand Kit, Tennant Part Number 387147, includes; Fig. 53, Fig. 54, Fig. 55, and Fig. 56.

<b>Ref.</b>	<b>Tennant Part No.</b>	<b>Machine Serial Number</b>	<b>Description</b>	<b>Qty.</b>
1	222117	(000000-	) Switch, Rocker	1
2	65580	(000000-	) Bag, Power	1
3	72968	(000000-	) Rivet, Plstc, .250 X 0.898	2
4	67004	(000000-	) Clip, Finger Grip	1
5	09228	(000000-	) Screw, Hex, M04 X 0.7 X 20, 8.8	1
6	19064	(000000-	) Washer, Flt, #06	2
7	02850	(000000-	) Nut, Hex, Lock, M04 X 0.7, NI	1
8	387050	(000000-	) Tray Wldt, Power Wand	1
9	12273	(000000-	) Screw, Hex, M08 X 1.25 X 20, Ss, NI	3
10	386608	(000000- xxxxxx )	Harness, Power Wand, [7300/8300]	1
10	387422	( xxxxxx-001705 )	Harness, Power Wand, [7300/8300]	1
11	49266	(000000-001705 )	Tie, Cable, Nyl, 07.3l .19w 1.8 Max D	4
12	01685	(000000-	) Washer, Flt, .31	3

Fig. 57 - Vacuum Wand Kit

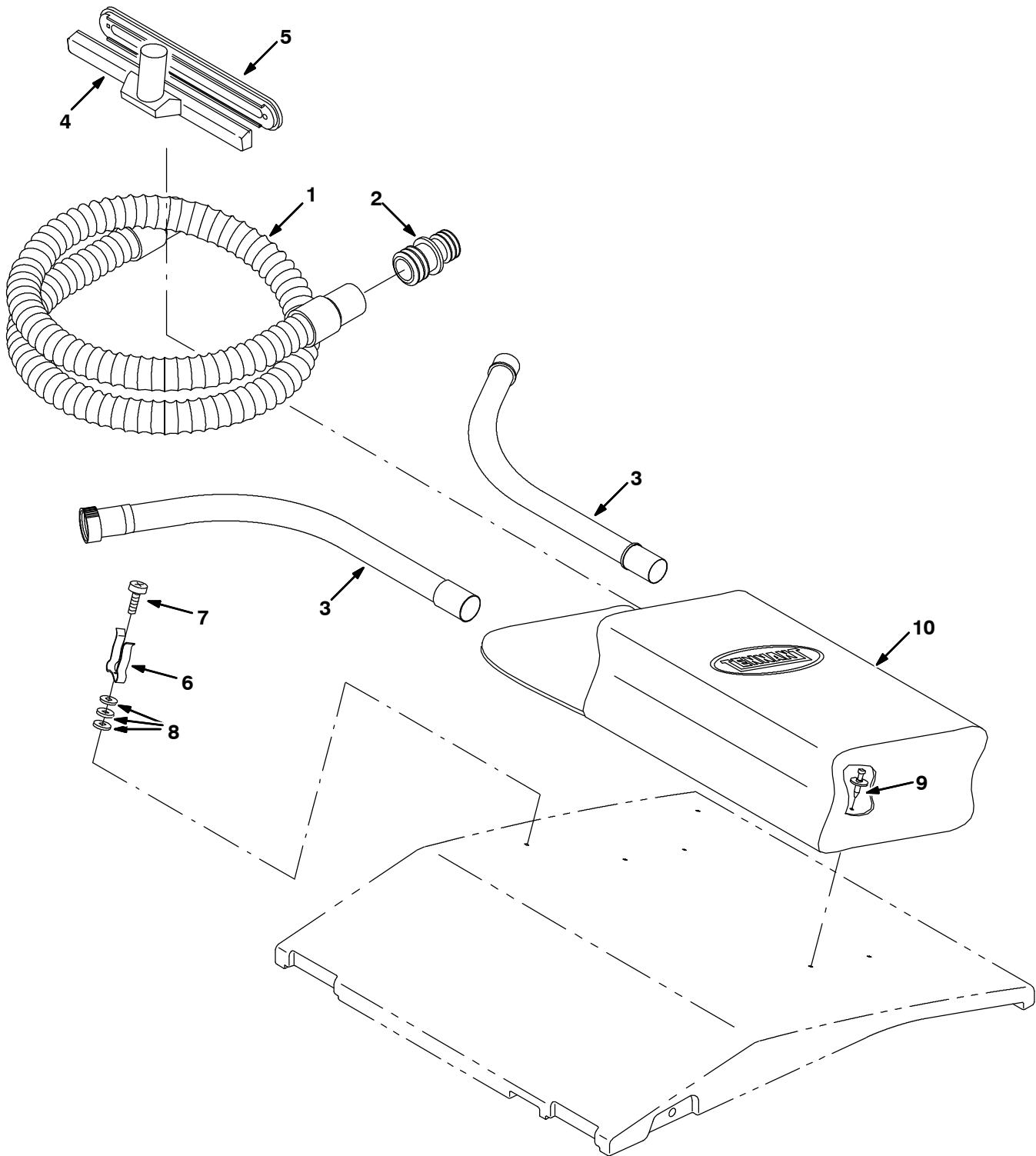




Fig. 57 - Vacuum Wand Kit

	Ref.	Tennant Part No.	Machine Serial Number	Description	Qty.
▽		387262	(000000-	) Kit, Ci, Vacuum Wand, [7300/8300]	1
▲	1	86767	(000000-	) Hose Assy, Pvc, W/ Cuff, 1.5d, 90.0l	1
▲	2	48609	(000000-	) Fitting, Plstc, Str, Bm24/Bm32	1
▲	3	63448	(000000-	) Tube, Wand, Vacuum, Metal	1
▲	4	63451	(000000-	) Nozzle, Wand, Plstc, 14.0lg	1
▲	5	63430	(000000-	) Shoe, Plstc, Sqge, 14inch	1
▲	6	67004	(000000-	) Clip, Finger Grip	2
▲	7	360943	(000000-	) Screw, Pan, #10-14X0.75, F/Plstc	2
▲	8	19064	(000000-	) Washer, Flt, #06	6
▲	9	72968	(000000-	) Rivet, Plstc, .250 X 0.898	4
▲	10	65580	(000000-	) Bag, Power	1

Fig. 58 - Max Pro 1200 Rear Squeegee Group

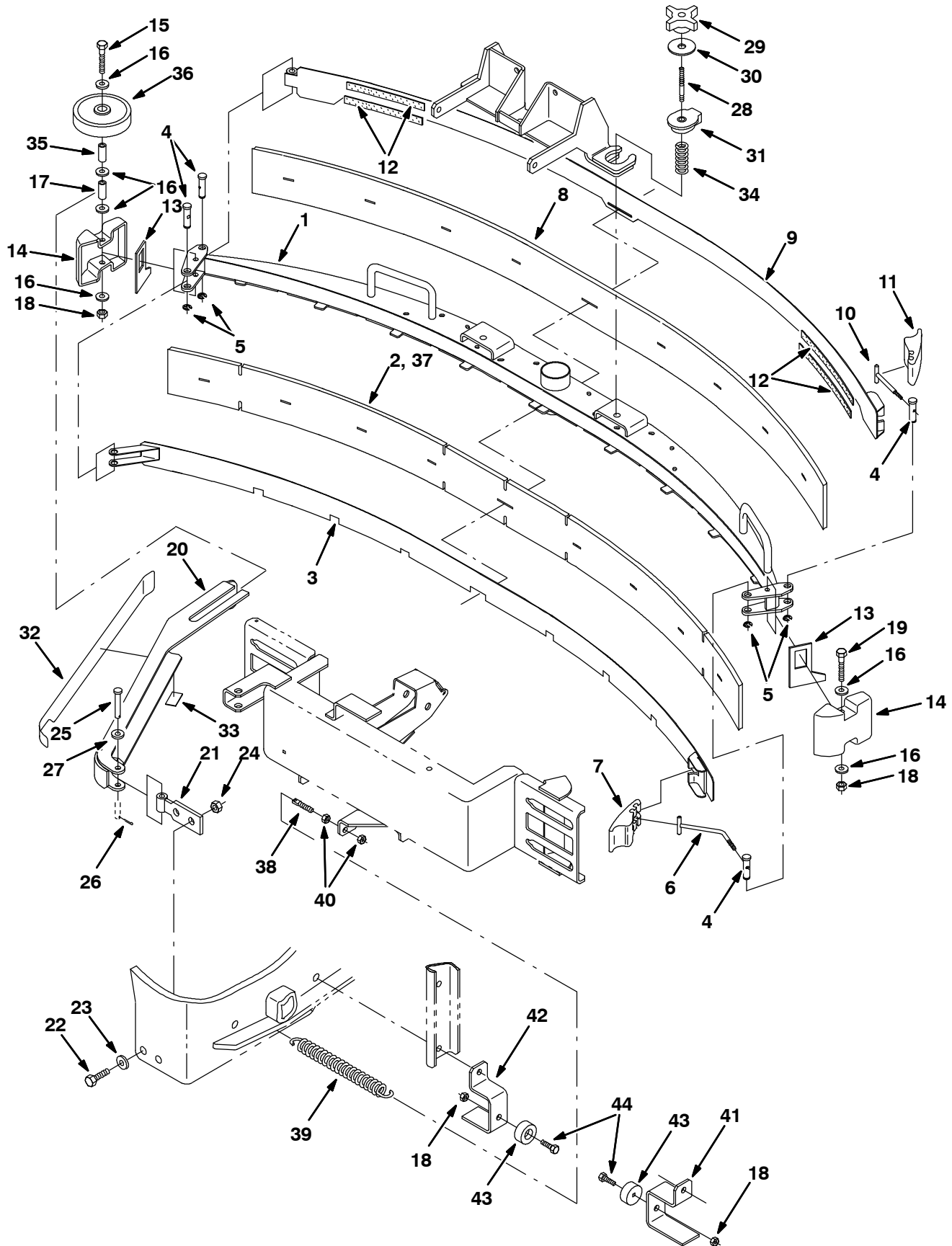
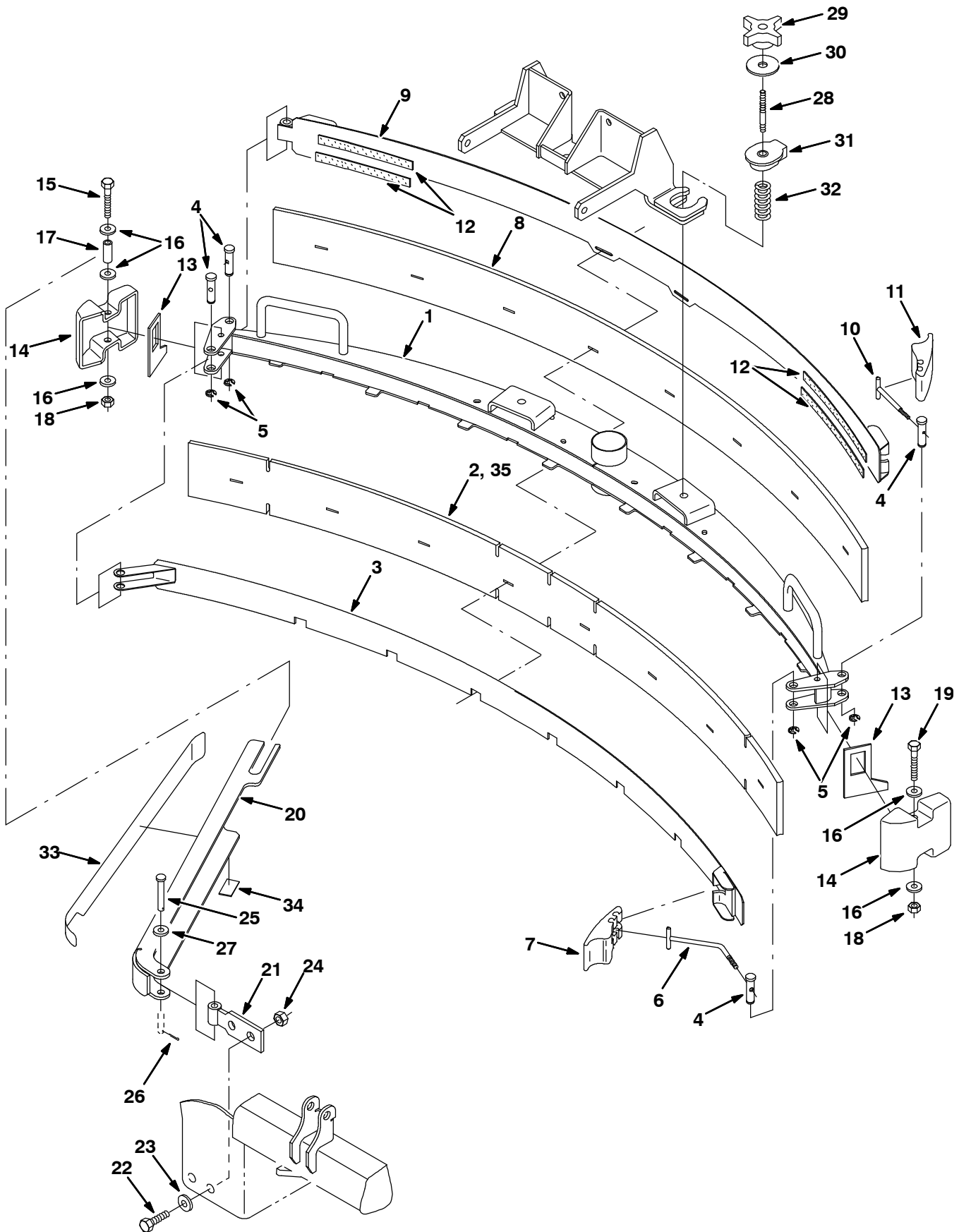


Fig. 58 - Max Pro 1200 Rear Squeegee Group

Ref.	Tennant Part No.	Machine Serial Number	Description	Qty.
▽	386861	(000000-	) Kit, Cl, Squeegee, Rear [Max Pro 1200]	1
▲	1 386520	(000000-	) Frame Wldt, Sqge 48.0l	1
▲	2 386833	(000000-	) Blade, Sqge, Front 48.0l	1
▲	3 386835	(000000-	) Clamp Wldt, Front 48.0l	1
▲	4 21603	(000000-	) Pin	4
▲	5 24555	(000000-	) Ring, Retaining, Ext	4
▲	6 386298	(000000-	) Pin Wldt, Front	1
▲	7 21601	(000000-	) Cam	1
▲	8 386834	(000000-	) Blade, Sqge, Rear 48.0l	1
▲	9 386836	(000000-	) Clamp Wldt, Rear 48.0l	1
▲	10 21606	(000000-	) Bar Wldt, Retainer, Sqge, Rear	1
▲	11 21602	(000000-	) Cam, Rear	1
▲	12 03495	(000000-	) Strip, Nonslip	4
▲	13 83874	(000000-	) Gasket, Sqge	2
▲	14 386264	(000000-	) Bumper, Sqge	2
▲	15 387431	(000000-	) Screw, Hex, M08 X 1.25 X 130 Ss	1
▲	16 01685	(000000-	) Washer, Flt, .31 Ss	5
▲	17 222497	(000000-	) Sleeve	1
▲	18 08713	(000000-	) Nut, Hex, Lock, M08 X 1.25,NI, Ss	4
▲	19 09767	(000000-	) Screw, Hex, M08 X 1.25 X 70, Ss	1
▲	20 387435	(000000-	) Channel Wldt	1
▲	21 386234	(000000-	) Pivot Wldt, Guard	1
▲	22 12309	(000000-	) Screw, Hex, M12 X 1.75 X 30, Ss	2
▲	23 41619	(000000-	) Washer, Flt, .50 Ss	2
▲	24 09741	(000000-	) Nut, Hex, Lock, M12 X 1.75,NI, Ss	2
▲	25 51813	(000000-	) Pin, Clevis, 0.37 D X 2.12l	1
▲	26 08179	(000000-	) Pin, Cotter, .094 X 1.00	1
▲	27 01686	(000000-	) Washer, Flt, .38 Ss	2
▲	28 387237	(000000-	) Stud, .31-18 2.75l M8 X 1.25, Ss	2
▲	29 370100	(000000-	) Knob, 4-Prong W/.31-18, Insert	2
▲	30 04414	(000000-	) Washer, 0.53b 1.88d .12, Stl, PI	2
▲	31 387433	(000000-	) Ring, Mtg, Sqge, .50l	2
▲	32 387436	(000000-	) Bumper, Poly-E	1
▲	33 387438	(000000-	) Bumper, Poly-E	1
▲	34 387500	(000000-	) Spring, Cmpr, .87od .042wir 2.0l	2
▲	35 363301	(000000-	) Sleeve, 0.62d 0.34b 1.19l Bnz	1
▲	36 363162	(000000-	) Wheel, 4.0d 0.89w 0.64b	1
	37 387258	(000000-	) Blade, Sqge, Front, Mp1200, Tile	1
	38 386847	(000000-	) Bolt, Eye, M10x1.5 X 2.0 X .28 Eye	1
	39 71100	(000000-	) Spring, Extn, 1.69od X 0.20wir, 9.5l	1
	40 32716	(000000-	) Nut, Hex, Jam, M10 X 1.5, Ss	2
	41 387446	(000000-	) Channel, Stop, Lh	1
	42 387447	(000000-	) Channel, Stop, Rh	1
	43 364614	(000000-	) Bumper, Neo, 1.5d .63t .31h	2
	44 09010	(000000-	) Screw, Hex, M08 X 1.25 X 25, Ss	2

# OPTIONS

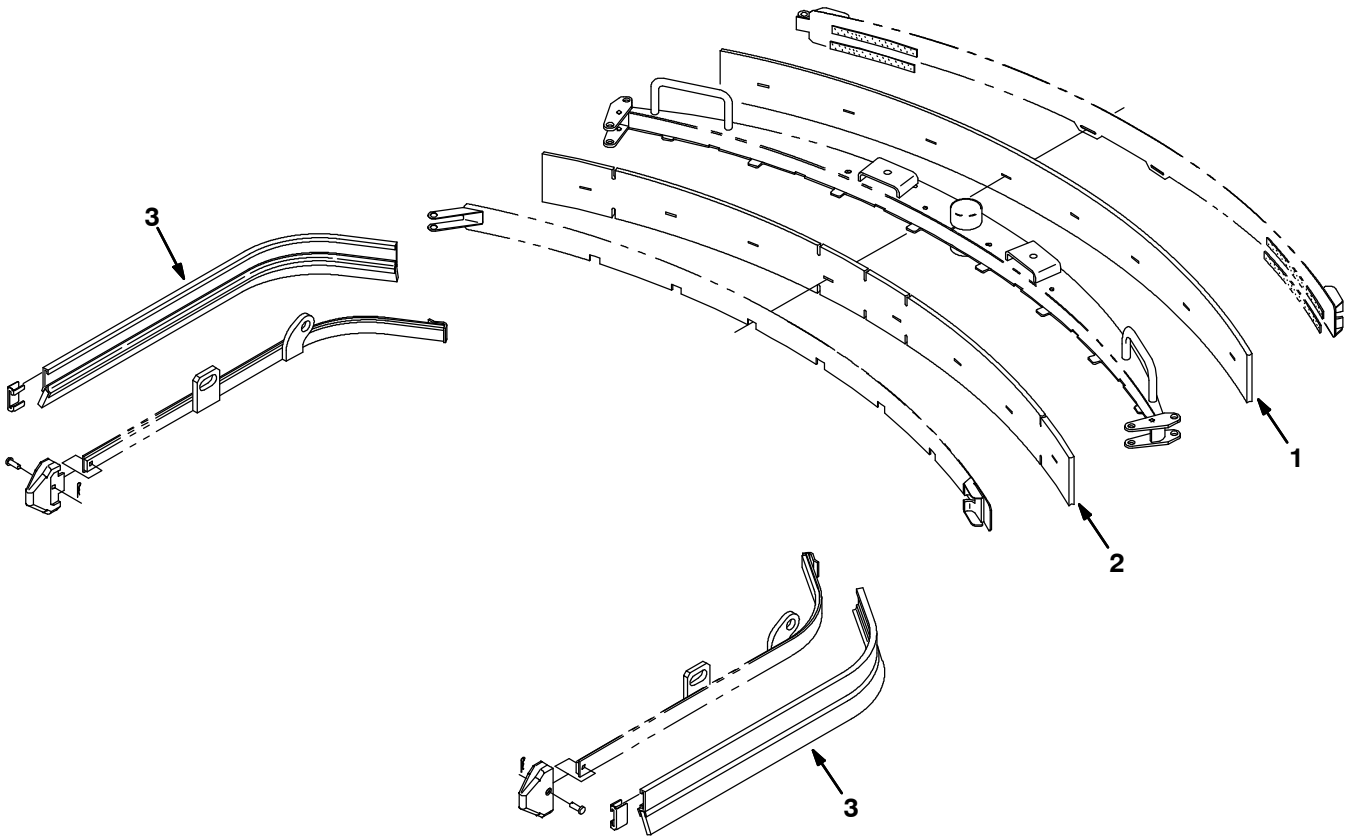
Fig. 59 - Max Pro 1200 Rear Squeegee Group (For Vacuumized Side Squeegee)



**Fig. 59 - Max Pro 1200 Rear Squeegee Group (For Vacuumized Side Squeegee)**

Ref.	Tennant Part No.	Machine Serial Number	Description	Qty.
▽	386860	(000000-	) Kit, Cl, Squeegee, Rear (Max Pro™ 1000)	1
▲	1 386290	(000000-	) Frame Wldt, Sqge	1
▲	2 386283	(000000-	) Blade, Sqge, Front	1
▲	3 386285	(000000-	) Clamp Wldt, Front	1
▲	4 21603	(000000-	) Pin	4
▲	5 24555	(000000-	) Ring, Retaining, Ext	4
▲	6 386298	(000000-	) Pin Wldt, Front	1
▲	7 21601	(000000-	) Cam	1
▲	8 386284	(000000-	) Blade, Sqge, Rear	1
▲	9 386286	(000000-	) Clamp Wldt, Rear	1
▲	10 21606	(000000-	) Bar Wldt, Retainer, Sqge, Rear	1
▲	11 21602	(000000-	) Cam, Rear	1
▲	12 03495	(000000-	) Strip, Nonslip	4
▲	13 83874	(000000-	) Gasket, Sqge	2
▲	14 386264	(000000-	) Bumper, Sqge	2
▲	15 386299	(000000-	) Screw, Hex, M08 X 1.25 X 100, Ss	1
▲	16 01685	(000000-	) Washer, Flt, .31 Ss	5
▲	17 222497	(000000-	) Sleeve	1
▲	18 08713	(000000-	) Nut, Hex, Lock, M08 X 1.25,NI, Ss	2
▲	19 09767	(000000-	) Screw, Hex, M08 X 1.25 X 70, Ss	1
▲	20 386266	(000000-	) Channel Wldt	1
▲	21 386234	(000000-	) Pivot Wldt, Guard	1
▲	22 12309	(000000-	) Screw, Hex, M12 X 1.75 X 30, Ss	2
▲	23 41619	(000000-	) Washer, Flt, .50 Ss	2
▲	24 09741	(000000-	) Nut, Hex, Lock, M12 X 1.75,NI, Ss	2
▲	25 1039190	(000000-	) Pin, Clevis, 0.25d X 2.00l	1
▲	26 08178	(000000-	) Pin, Cotter, .062 X 0.75	1
▲	27 01684	(000000-	) Washer, Flt, .25 Ss	2
▲	28 387237	(000000-	) Stud, .31-18 2.75l M8 X 1.25, Ss	2
▲	29 370100	(000000-	) Knob, 4-Prong W/.31-18, Insert	2
▲	30 04414	(000000-	) Washer, 0.53b 1.88d .12, Stl, Pl	2
▲	31 387433	(000000-	) Ring, Mtg, Sqge, .50l	2
▲	32 387500	(000000-	) Spring, Cmpr, .87od .042wir 2.0l	2
▲	33 387448	(000000-	) Bumper, Poly-E	1
▲	34 387438	(000000-	) Bumper, Poly-E	1
▲	35 387257	(000000-	) Blade, Sqge, Front, Mp1000, Tile	1

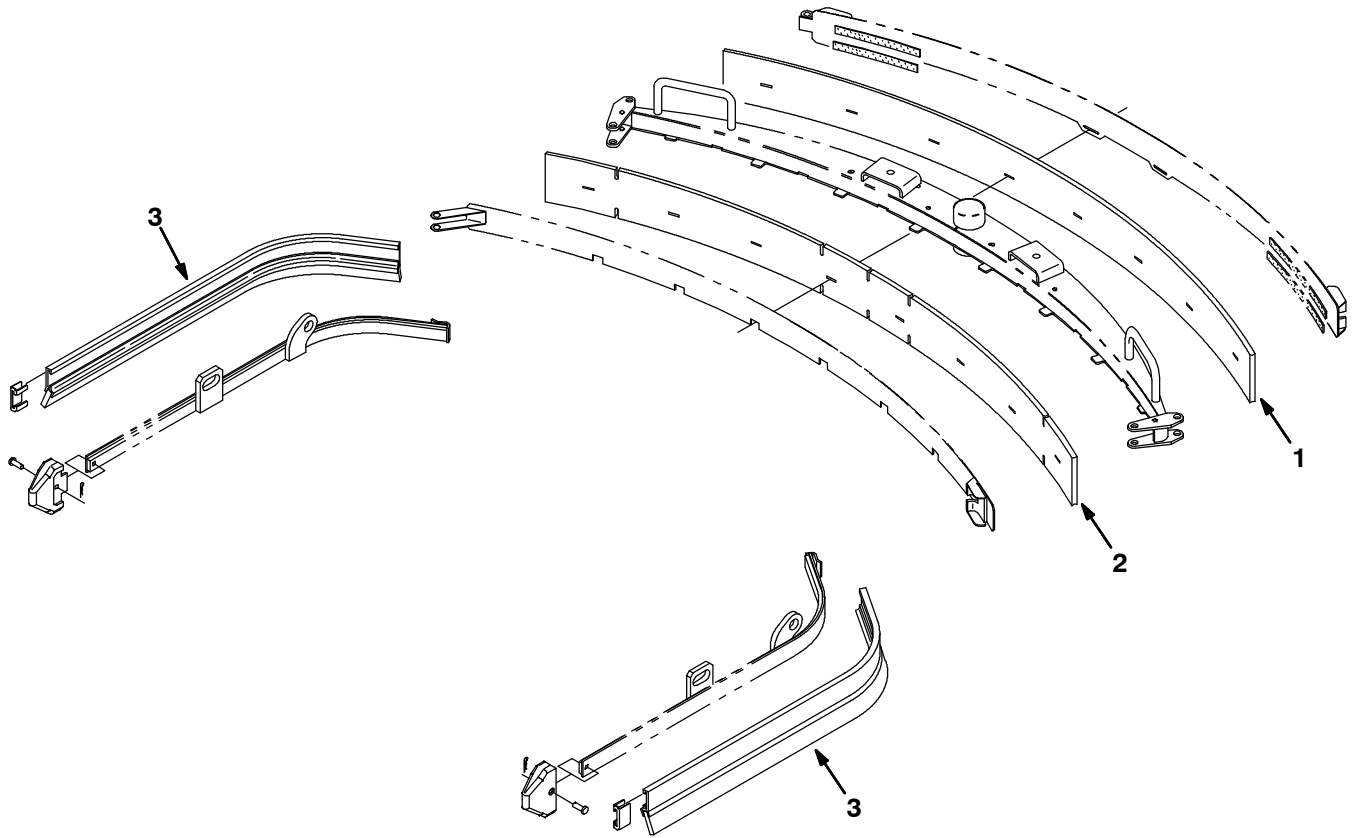
**Fig. 60 - Max Pro 1000 Urethane Squeegee Kit**



354351

Ref.	Tenant Part No.	Machine Serial Number	Description	Qty.
▽	9001397	(000000-	) Blade Kit, Sqge, Ure, [Mp1000]	1
▲ 1	1022564	(000000-	) Blade, Sqge, Rear	1
▲ 2	1022565	(000000-	) Blade, Sqge, Front	1
▲ 3	1019344	(000000-	) Squeegee, Side, Ure, [7300/830]	2

Fig. 61 - Max Pro 1200 Urethane Squeegee Kit



354351

Ref.	Tennant Part No.	Machine Serial Number	Description	Qty.
▽	9001398	(000000-	) Blade Kit, Sqge, Ure, [Mp1200]	1
▲ 1	1022558	(000000-	) Blade, Sqge, Rear	1
▲ 2	1022465	(000000-	) Blade, Sqge, Front	1
▲ 3	1019344	(000000-	) Squeegee, Side, Ure, [7300/830]	2

Fig. 62 - Battery Rollout Kit

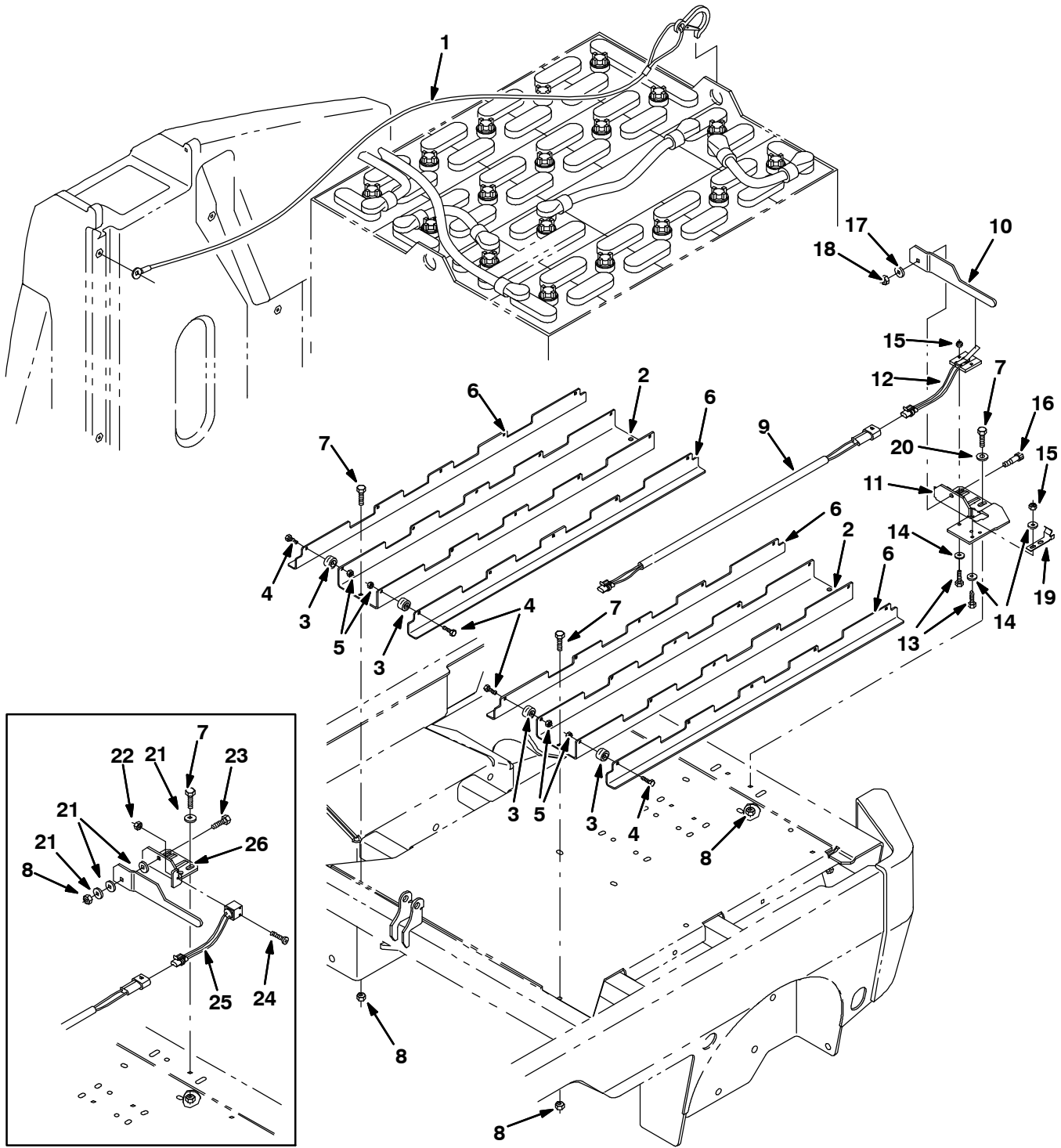
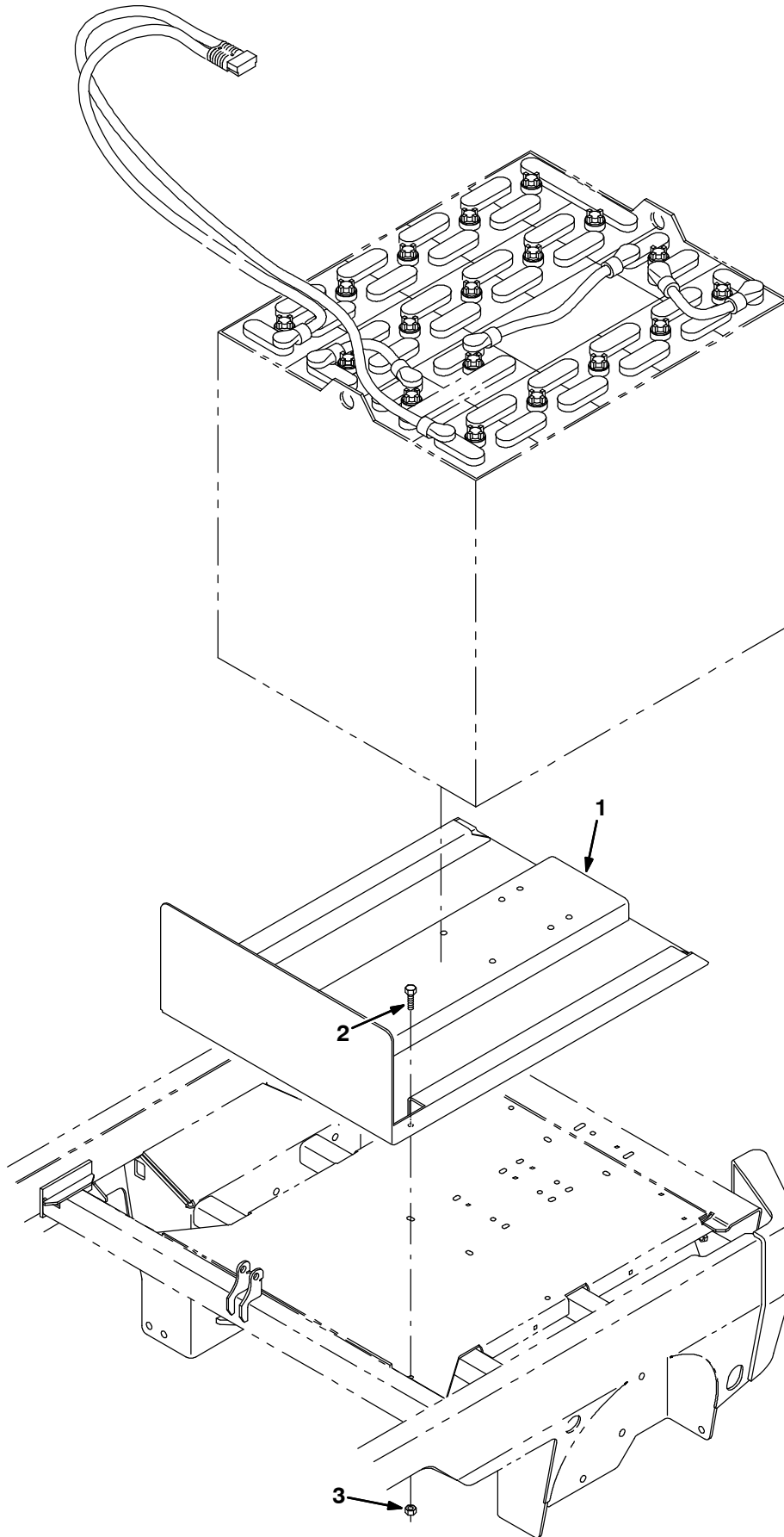




Fig. 62 - Battery Rollout Kit

Ref.	Tennant Part No.	Machine Serial Number	Description	Qty.
▽	387043	(000000-	) Kit, Ci, Battery, Rollout	1
▲	1 386968	(000000-	) Cable, Safety, Battery	1
▲	2 386953	(000000-	) Channel, Battery, R/O	2
▲	3 369415	(000000-	) Bearing, Needle, 0.25b 0.88d 0.50w	20
▲	4 07805	(000000-	) Screw, Hex, M06 X 1.0 X 35, Ss	20
▲	5 08712	(000000-	) Nut, Hex, Lock, M06 X 1.0, NI, Ss	20
▲	6 386952	(000000-	) Angle, Battery, R/O	4
▲	7 09740	(000000-	) Screw, Hex, M08 X 1.25 X 20, Ss	6
▲	8 08713	(000000-	) Nut, Hex, Lock, M08 X 1.25,NI, Ss	6
▲	9 386607	(000000-	) Harness, Battery, Rollout [7300/8300]	1
▲	10 386954	(000000-	) Bar Wldt, Battery, R/O	1
▲	11 1007129	(001793-	) Stop Wldt	1
▲	12 377341	(001793-	) Switch, Limit, No	1
▲	13 24199	(001793-	) Screw, Hex, M5 X 0.8 X 16, Ss	4
▲	14 01683	(001793-	) Washer, Flat, #10 Ss	4
▲	15 09739	(001793-	) Nut, Hex, Lock, M 5 X 0,8, NI, Ss	4
▲	16 02129	(001793-	) Bolt, Shld, .38DX0.38, .31-18	1
▲	17 39349	(001793-	) Washer, Flat, 0.31 Sae	1
▲	18 01760	(001793-	) Nut, Hex, Lock, .31-18, NI, Thin	1
▲	19 1007107	(001793-	) Latch, Handle	1
▲	20 01685	(001793-	) Washer, Flat, 0.31 Ss	2
	21 01685	(000000-001792	) Washer, Flt, .31 Ss	5
	22 33932	(000000-001792	) Nut, Hex, Lock, M 4 X 0.7, NI Ss	5
	23 09023	(000000-001792	) Screw, Hex, M08 X 1.25 X 35, Ss	1
	24 09198	(000000-001792	) Screw, Pan, M04 X 0.7 X 35, Ss	2
	25 387027	(000000-001792	) Switch, No (Replaced by 398454)	1
	26 387441	(000000-001792	) Stop Wldt (Replaced by 398454)	1

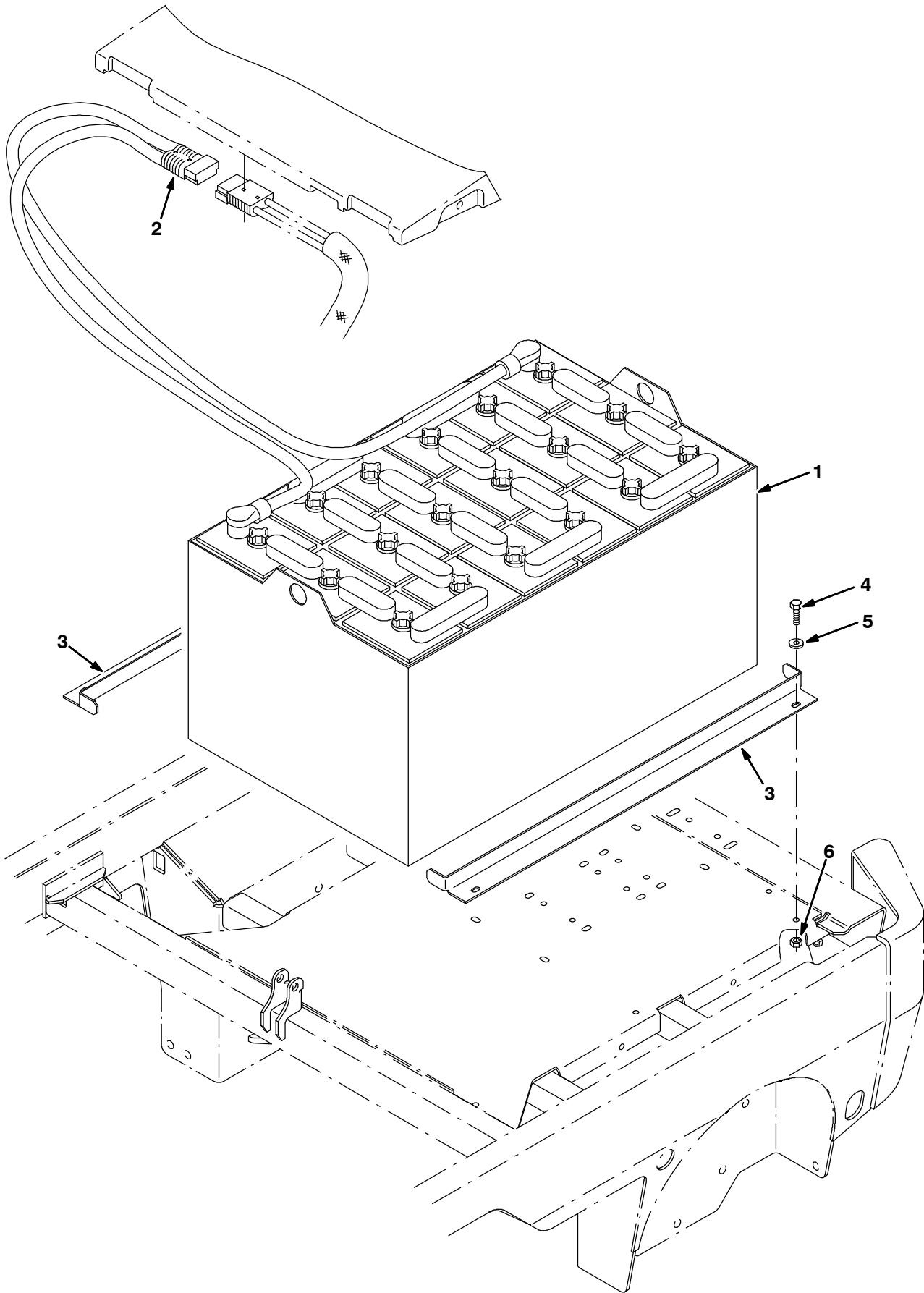
Fig. 63 - Battery Forklift Kit



**Fig. 63 - Battery Forklift Kit**

	<b>Ref.</b>	<b>Tennant Part No.</b>	<b>Machine Serial Number</b>	<b>Description</b>	<b>Qty.</b>
▽		387000	(000000-	) Kit, Ci, Fork Lift, Battery	1
▲	1	386632	(000000-	) Cradle Wldt, Battery	1
▲	2	09740	(000000-	) Screw, Hex, M08 X 1.25 X 20, Ss	4
▲	3	08713	(000000-	) Nut, Hex, Lock, M08 X 1.25,NI, Ss	4

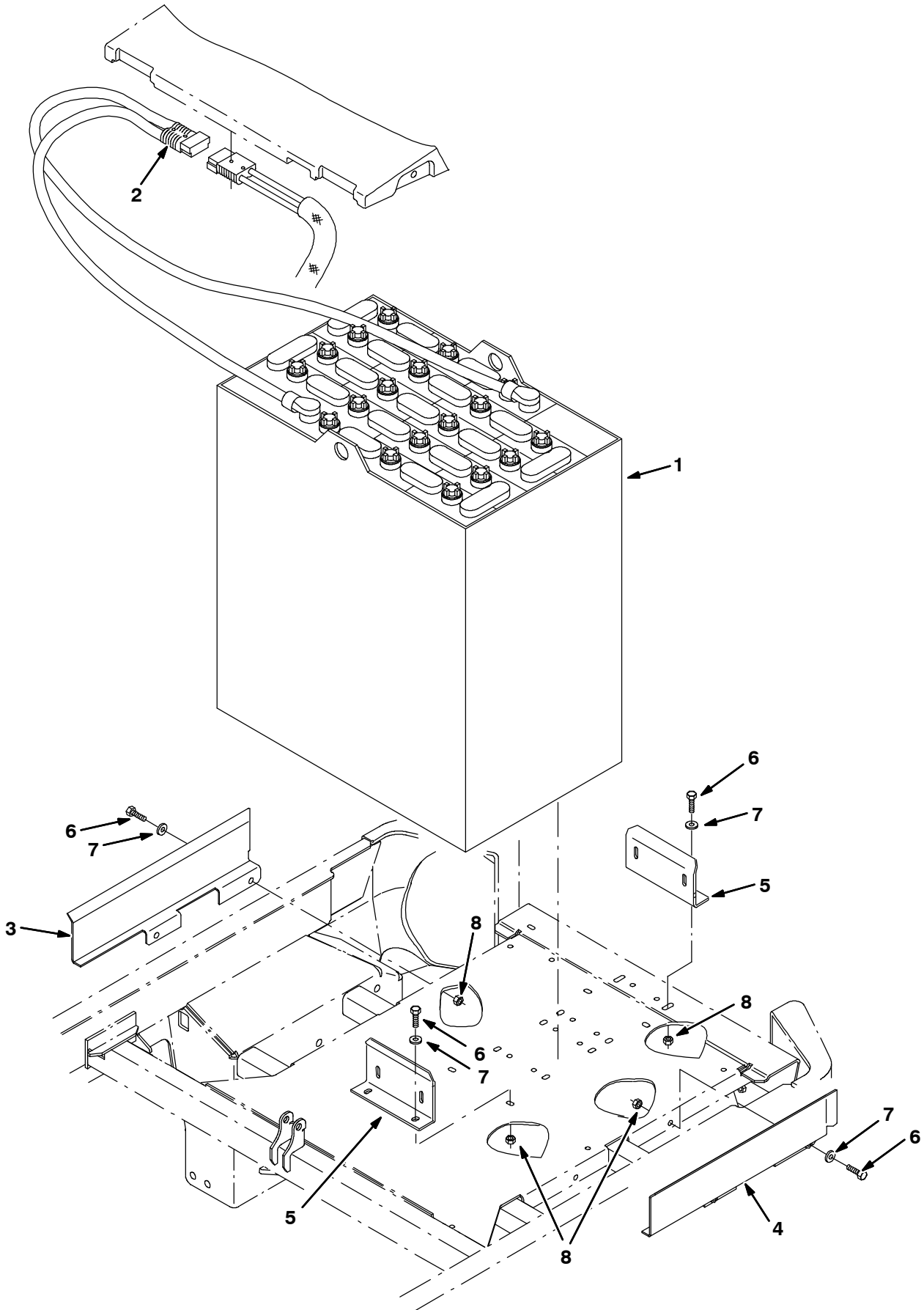
Fig. 64 - Battery Kit, 380AH Wet



**Fig. 64 - Battery Kit, 380AH Wet**

	<b>Ref.</b>	<b>Tennant Part No.</b>	<b>Machine Serial Number</b>	<b>Description</b>	<b>Qty.</b>
▽		387324	(000000-	) Kit, Ci, Battery, 36vdc, 380ah, Wet	1
▲▽	1	387322	(000000-	) Battery, 36Vdc, 380Ah, Wet	1
▲▲	2	01726	(000000-	) Connector, Anderson, 350A, Gray	1
▲	3	387328	(000000-	) Spacer, Battery	2
▲	4	09740	(000000-	) Screw, Hex, M08-1.25 X 20, Ss	4
▲	5	01685	(000000-	) Washer, Flat, .31 Ss	4
▲	6	08713	(000000-	) Nut, Hex, Lock, M08-1.25, NI, Ss	4

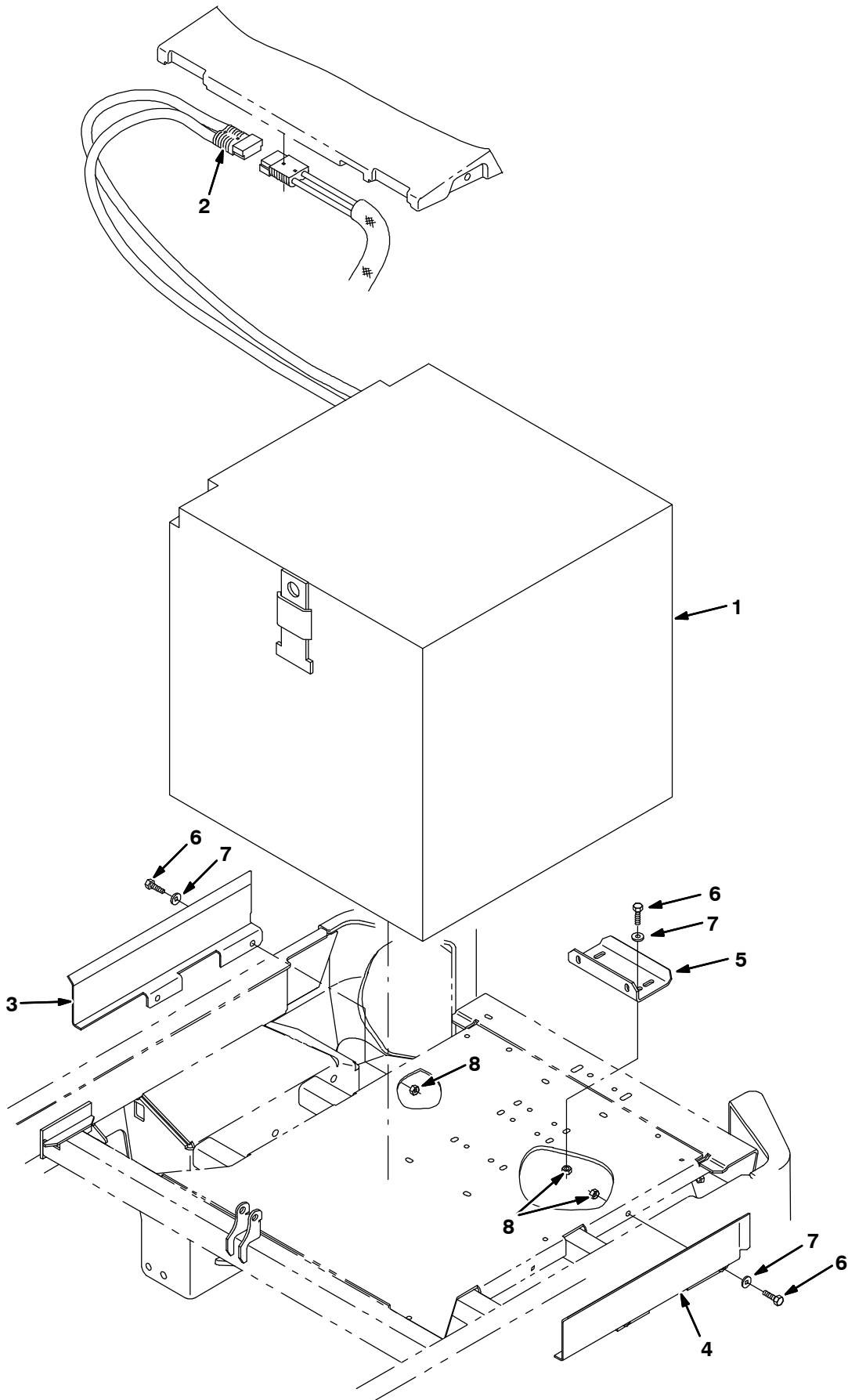
Fig. 65 - Battery Kit, 500AH Wet



**Fig. 65 - Battery Kit, 500AH Wet**

	<b>Ref.</b>	<b>Tennant Part No.</b>	<b>Machine Serial Number</b>	<b>Description</b>	<b>Qty.</b>
▽		386932	(000000-	) Battery Kit, Wet, 36vdc 0500ah, Ci	1
▲▽	1	386335	(000000-	) Battery, Wet, 36vdc 0500ah	1
▲▲	2	01726	(000000-	) Connector, 350a, Gray [Anderson]	1
▲	3	386675	(000000-	) Spacer, Battery, Rh	1
▲	4	386676	(000000-	) Spacer, Battery, Lh	1
▲	5	386575	(000000-	) Spacer, Battery, Rear	2
▲	6	09740	(000000-	) Screw, Hex, M8 X 1.25 X 20, Ss	8
▲	7	01685	(000000-	) Washer, Flat, 0.38b 0.88d .08, Ss	8
▲	8	08713	(000000-	) Nut, Hex, Lock, M8 X 1.25, NI, Ss	8

Fig. 66 - Battery Kit, 600AH

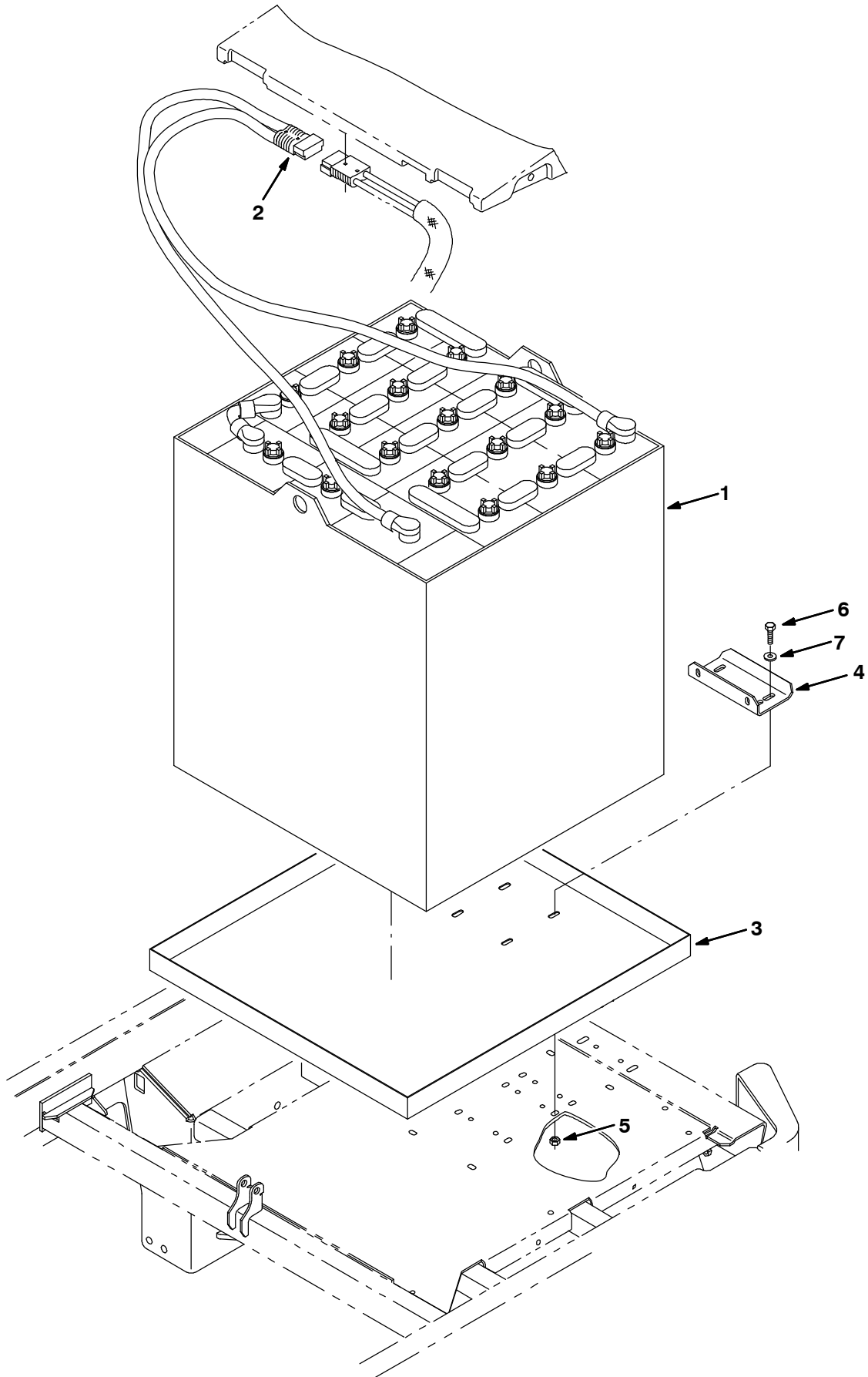




**Fig. 66 - Battery Kit, 600AH**

	<b>Ref.</b>	<b>Tennant Part No.</b>	<b>Machine Serial Number</b>	<b>Description</b>	<b>Qty.</b>
▽		386934	(000000-	) Kit, Ci, Battery, 36vdc, 600ah, Sealed	1
▲▽	1	386334	(000000-	) Battery, 36vdc, 600ah, Sealed	1
▲▲	2	01726	(000000-	) Connector, Anderson, 350A, Gray	1
▲	3	386573	(000000-	) Spacer, Battery, Rh	1
▲	4	386574	(000000-	) Spacer, Battery, Lh	1
▲	5	386575	(000000-	) Spacer, Battery, Rear	1
▲	6	09740	(000000-	) Screw, Hex, M08 X 1.25 X 20, Ss	6
▲	7	01685	(000000-	) Washer, Flt, .31 Ss	6
▲	8	08713	(000000-	) Nut, Hex, Lock, M08 X 1.25,NI, Ss	6

Fig. 67 - Battery Kit, 750AH Wet

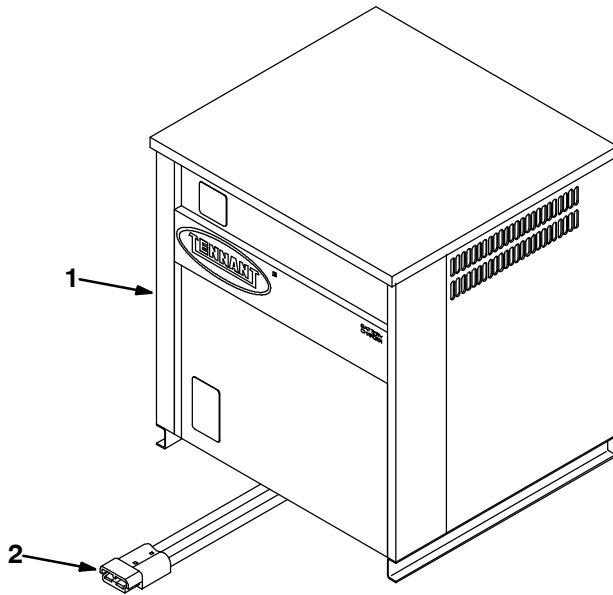


**Fig. 67 - Battery Kit, 750AH Wet**

	<b>Ref.</b>	<b>Tennant Part No.</b>	<b>Machine Serial Number</b>	<b>Description</b>	<b>Qty.</b>
▽		386936	(000000-	) Kit, Ci, Battery, 36vdc, 750ah, Wet	1
▲▽	1	386336	(000000-	) Battery, 36vdc 750ah Wet	1
▲▲	2	01726	(000000-	) Connector, Anderson, 350A, Gray	1
▲	3	387622	(000000-	) Tray Wldt, Battery, 500ah, 750ah	1
▲	4	386575	(000000-	) Spacer, Battery, Rear	1
▲	5	08713	(000000-	) Nut, Hex, Lock, M08 X 1.25,NI, Ss	2
▲	6	09740	(000000-	) Screw, Hex, M08 X 1.25 X 20, Ss	2
▲	7	01685	(000000-	) Washer, Flt, .31 Ss	2

# OPTIONS

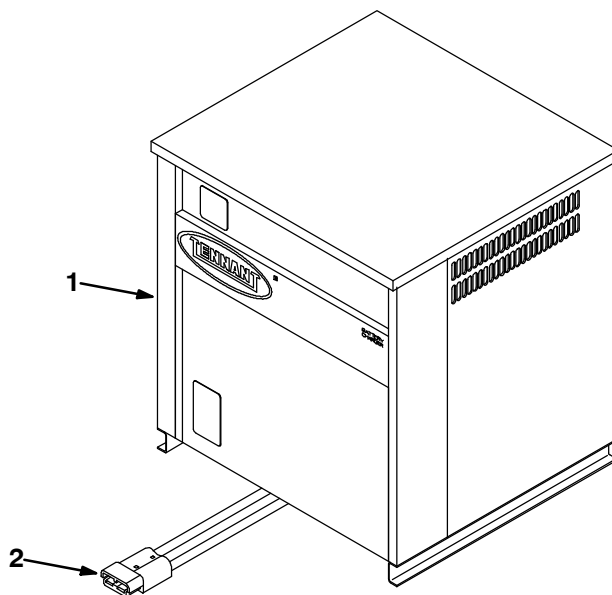
**Fig. 68 - Battery Charger Group, 75A, 36V, 60Hz 1PH (380Ah Batteries)**



353364 - 7300, NA

	Ref.	Tennant Part No.	Machine Serial Number	Description	Qty.
▽	1	398281	(000000-	) Charger, 36V/75A 60Hz/1Ph	1
▲	2	01726	(000000-	) Connector, Anderson, 350A, Gray	1

Fig. 69 - Battery Charger Group, 75A, 36V, 60Hz 3Ph (380Ah Batteries)

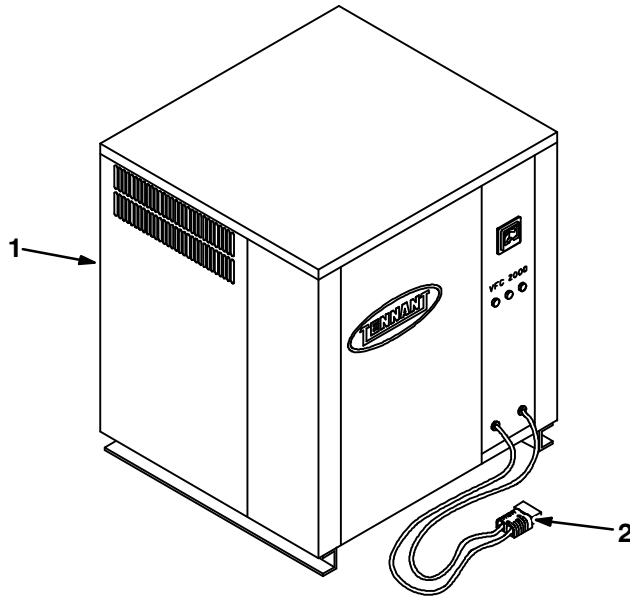


353364 - 7300, NA

	Ref.	Tennant Part No.	Machine Serial Number	Description	Qty.
▽	1	398283	(000000-	) Charger, 36V/75A 60Hz/3Ph	1
▲	2	01726	(000000-	) Connector, Anderson, 350A, Gray	1

# OPTIONS

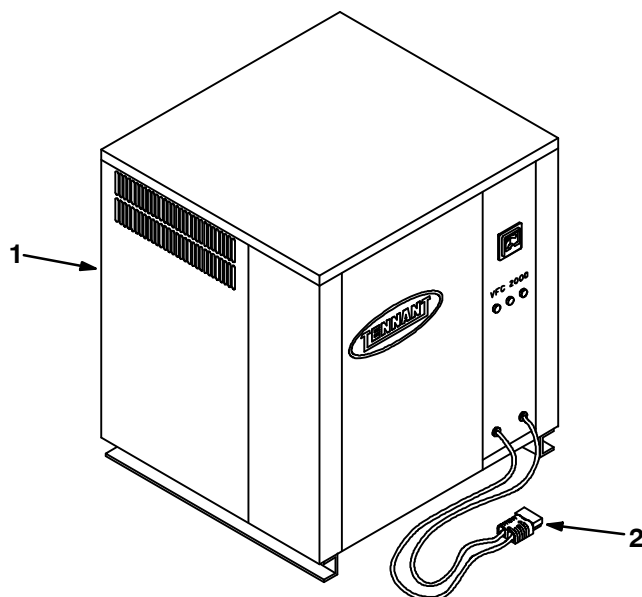
**Fig. 70 - Battery Charger Group, 120A, 36V, 60Hz 1Ph (500Ah Batteries)**



06051 - NA

	Ref.	Tennant Part No.	Machine Serial Number	Description	Qty.
▽	1	398285	(000000-	) Charger, 36V/120A 60H/1Ph 480V	1
▲	2	01726	(000000-	) Connector, Andersn 350A, Gray	1

Fig. 71 - Battery Charger Group, 120A, 36V, 60Hz 3Ph (500Ah Batteries)

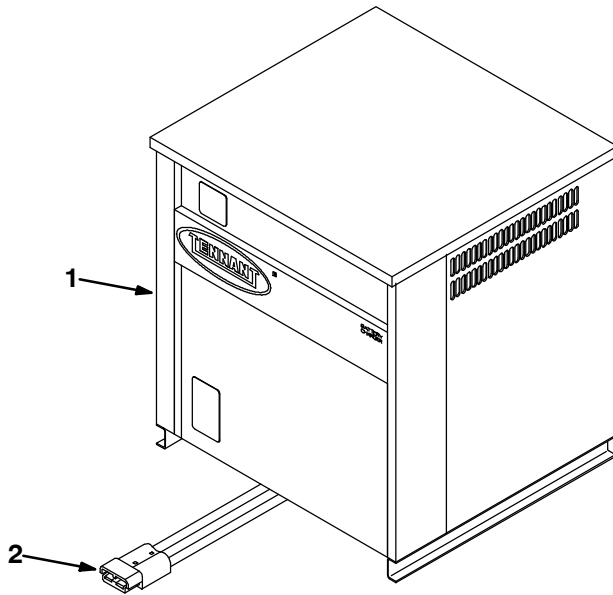


06051 - NA

	Ref.	Tennant Part No.	Machine Serial Number	Description	Qty.
▽	1	398288	(000000-	) Charger, 36V/120A 60H/3Ph 480V	1
▲	2	01726	(000000-	) Connector, Andersn 350A,Gray	1

# OPTIONS

Fig. 72 - Battery Charger Group, 150A, 36V, 60Hz (750Ah Batteries)

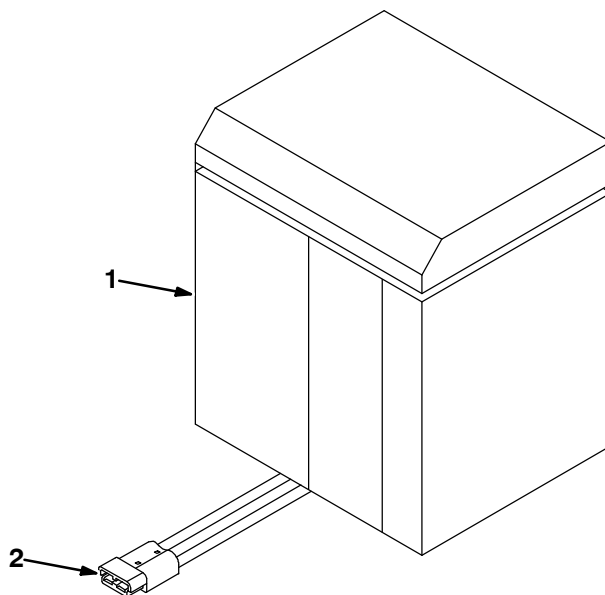


353364 - NA

	Ref.	Tennant Part No.	Machine Serial Number	Description	Qty.
▽	1	398292	(000000-	) Charger, 36V/150A 60Hz	1
▲	2	01726	(000000-	) Connector, Anderson, 350A, Gray	1



**Fig. 73 - Battery Charger Group, 93A, 36V, 60Hz 1Ph (600Ah Batteries)**

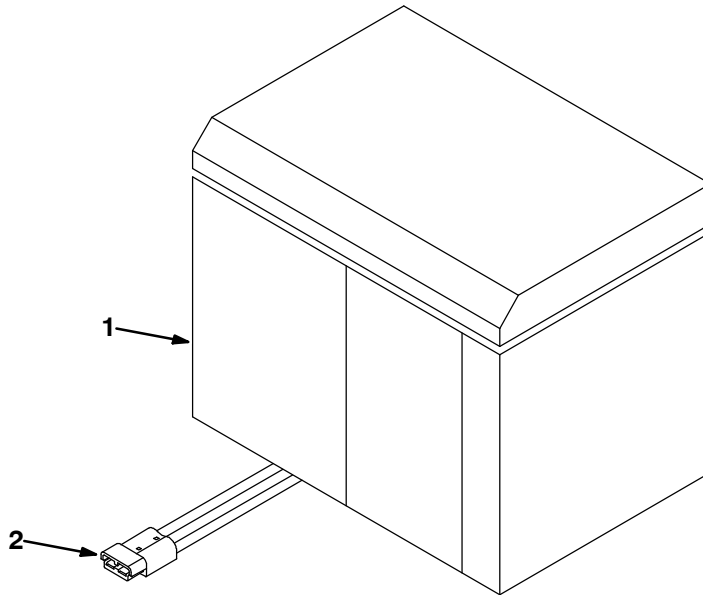


353365 - NA

	<b>Ref.</b>	<b>Tenant Part No.</b>	<b>Machine Serial Number</b>	<b>Description</b>	<b>Qty.</b>
▽	1	386338	(000000-	) Charger, 36V/93A 60Hz, 1Ph, Sealed	1
▲	2	01726	(000000-	) Connector, Anderson, 350A, Gray	1

# OPTIONS

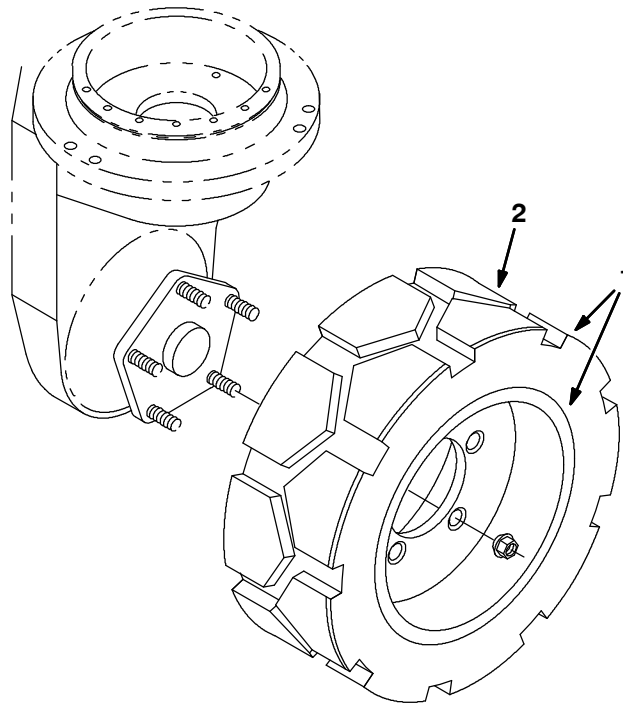
**Fig. 74 - Battery Charger Group, 93A, 36V, 60Hz 3Ph (600Ah Batteries)**



353366 - NA

	Ref.	Tennant Part No.	Machine Serial Number	Description	Qty.
▽	1	386344	(000000-	) Charger, 36V/93A 60Hz, 3Ph, Sealed	1
▲	2	01726	(000000-	) Connector, Anderson, 350A, Gray	1

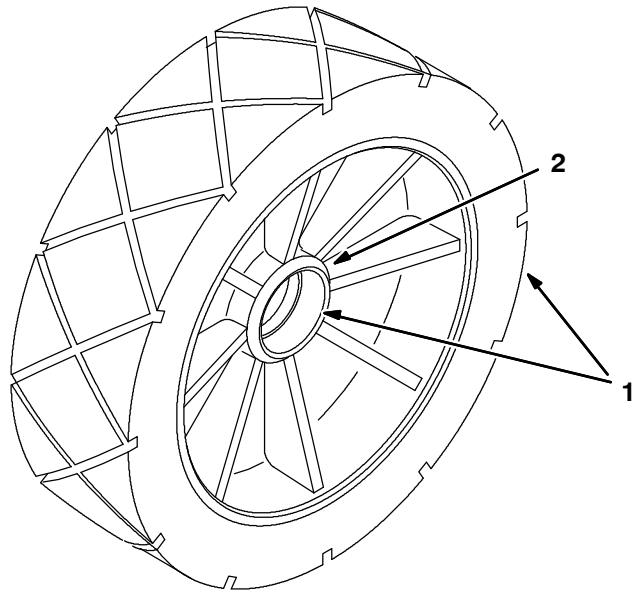
Fig. 75 - Tire, Non-Mark, Non-Skid, Front Drive



353308-1 - NA

	Ref.	Tennant Part No.	Machine Serial Number	Description	Qty.
▽	1	48591	(000000-	) Tire Assy, Solid, 16.3x6.0 5.7bc/5bolt	1
▲	2	48589	(000000-	) Tire, Non-Skid 16.25x6x11.25	1

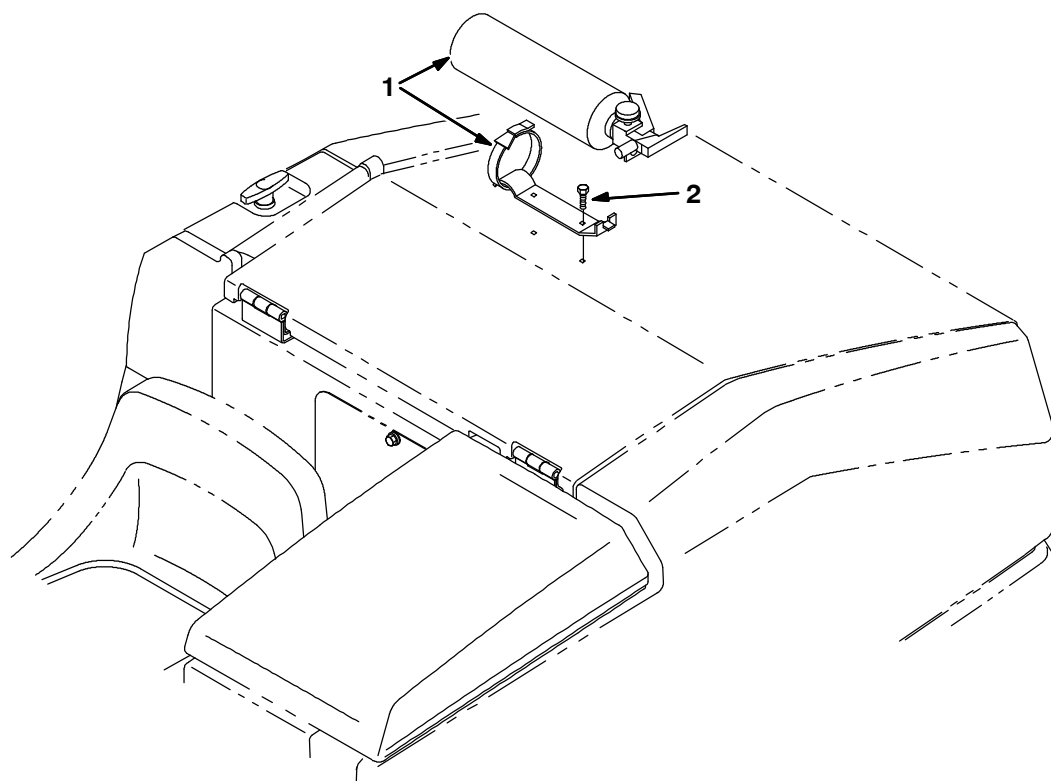
**Fig. 76 - Tire, Non-Mark, Non-Skid, Rear**



353369 - NA

	<b>Ref.</b>	<b>Tennant Part No.</b>	<b>Machine Serial Number</b>	<b>Description</b>	<b>Qty.</b>
▽	1	387015	(000000- )	Tire Assy, 16 X 5 X 12.12 Non-Skid	2
▲	2	51338	(000000- )	Bearing, Cup, 2.56D 0.55W	1

Fig. 77 - Fire Extinguisher Kit



353282 - NA

	Ref.	Tennant Part No.	Machine Serial Number	Description	Qty.
▽		387457	(000000-	) Kit, CI, Extinguisher, Fire, [7300/8300]	1
▲▽	1	25312	(000000-	) Extinguisher, Fire	1
▲▲	2	360973	(000000-	) Screw, Pan, #12-16 x 0.50, F/Plstc	2

**Fig. 78 - Documentation Group**

07501 - 7300, NA

<b>Ref.</b>	<b>Tennant Part No.</b>	<b>Machine Serial Number</b>	<b>Description</b>	<b>Qty.</b>
	330610	(000000-	) Manual Pkg, (7300 Ele Na)	1
	330611	(000000-	) Manual, Fiche, (7300 Ele)	1
	330615	(000000-	) Manual, Service, (7300 Ele Na)	1
	330612	(000000-	) Manual, Oprtr, (7300 Ele Es Na)	1
	330613	(000000-	) Manual, Oprtr, (7300 Ele Fr Na)	1
	387494	(000000-	) Video, Operator, Vhs, Ntsc [7300]	1
	1041884	(000000-	) Video, Oprtr, Training, Dvd [7300]	1
	9006257	(000000-	) Media, Cd-Rom, Training [ec-H2O TENNANT]	1

## SECTION 4

<b>Contents</b>	<b>Page</b>
Fig. 1 - Electric Motor Breakdown, 17363 ..	4-2
Fig. 2 - Electric Motor Breakdown, 398520 .	4-4
Fig. 3 - Electric Motor Breakdown, 60198 ..	4-6
Fig. 4 - Electric Motor Breakdown, 386050 .	4-7
Fig. 5 - Electric Motor Breakdown, 386679 .	4-8
Fig. 6 - Electric Motor Breakdown, 387585 .	4-9
Fig. 7 - Electric Motor Breakdown, 386687	4-10
Fig. 8 - Water Pump Breakdown, 387321 ..	4-11
Fig. 9 - Metering Solution Pump Breakdown, 386364 .....	4-12
Fig. 10 - Hydraulic Powerunit Breakdown, 368704 .....	4-13
Fig. 11 - Hydraulic Motor Breakdown, 386703 .....	4-14
Fig. 12 - Steering Control Valve Breakdown, 373495 .....	4-15
Fig. 13 - ec-H2O Module Assembly Breakdown, 9006270 .....	4-16
Fig. 14 - ec-H2O Solution Pump Breakdown, 1005866 .....	4-18
Fig. 15 - FaST Injector Assebmly Breakdown, 9006118 .....	4-19

Fig. 1 - Electric Motor Breakdown, 17363

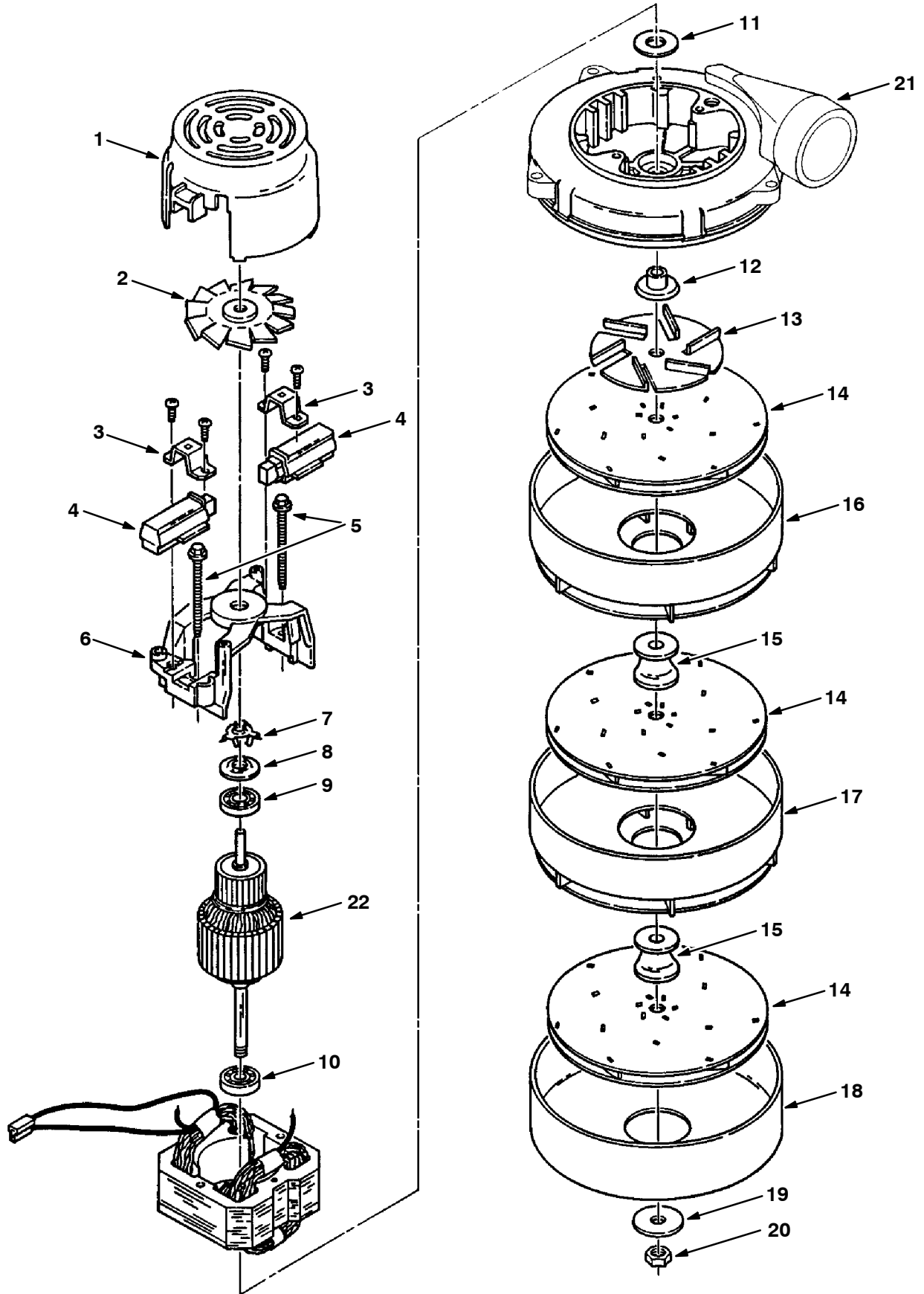




Fig. 1 - Electric Motor Breakdown, 17363

Ref.	Tenant Part No.	Machine Serial Number	Description	Qty.
▽	17363	(000000-	) Fan vacuum, 36v	1
▲	1 37926	(000000-	) Housing	1
▲	2 61298	(000000-	) Fan	1
▲	3 01982	(000000-	) Clamp	2
▲	4 11756	(000000-	) Brush mechanism	2
▲	5 01969	(000000-	) Screw	2
▲	6 01983	(000000-	) Comm. bracket	1
▲	7 01856	(000000-	) Spring, load	1
▲	8 37909	(000000-	) Disc	1
▲	9 01842	(000000-	) Bearing	1
▲	10 01837	(000000-	) Bearing	1
▲	11 37912	(000000-	) Washer, fl neo, 10.8x22x1.5	1
▲	12 18627	(000000-	) Spacer	1
▲	13 01971	(000000-	) Fan	1
▲	14 18628	(000000-	) Fan, rotating	3
▲	15 18630	(000000-	) Spacer	2
▲	16 61300	(000000-	) Fan, stationary	1
▲	17 61297	(000000-	) Fan, stationary	1
▲	18 61301	(000000-	) Shell	1
▲	19 378983	(000000-	) Washer	1
▲	20 37929	(000000-	) Nut	1
▲	21 60386	(000000-	) Bracket, Fan End	1
▲	22 21765	(000000-	) Armature	1
▲	223264	(000000-	) Seal, Fan	1
▲	10925	(000000-	) Connector, 2 Conductor	1
▲	10926	(000000-	) Terminal, Female	2

Fig. 2 - Electric Motor Breakdown, 398520

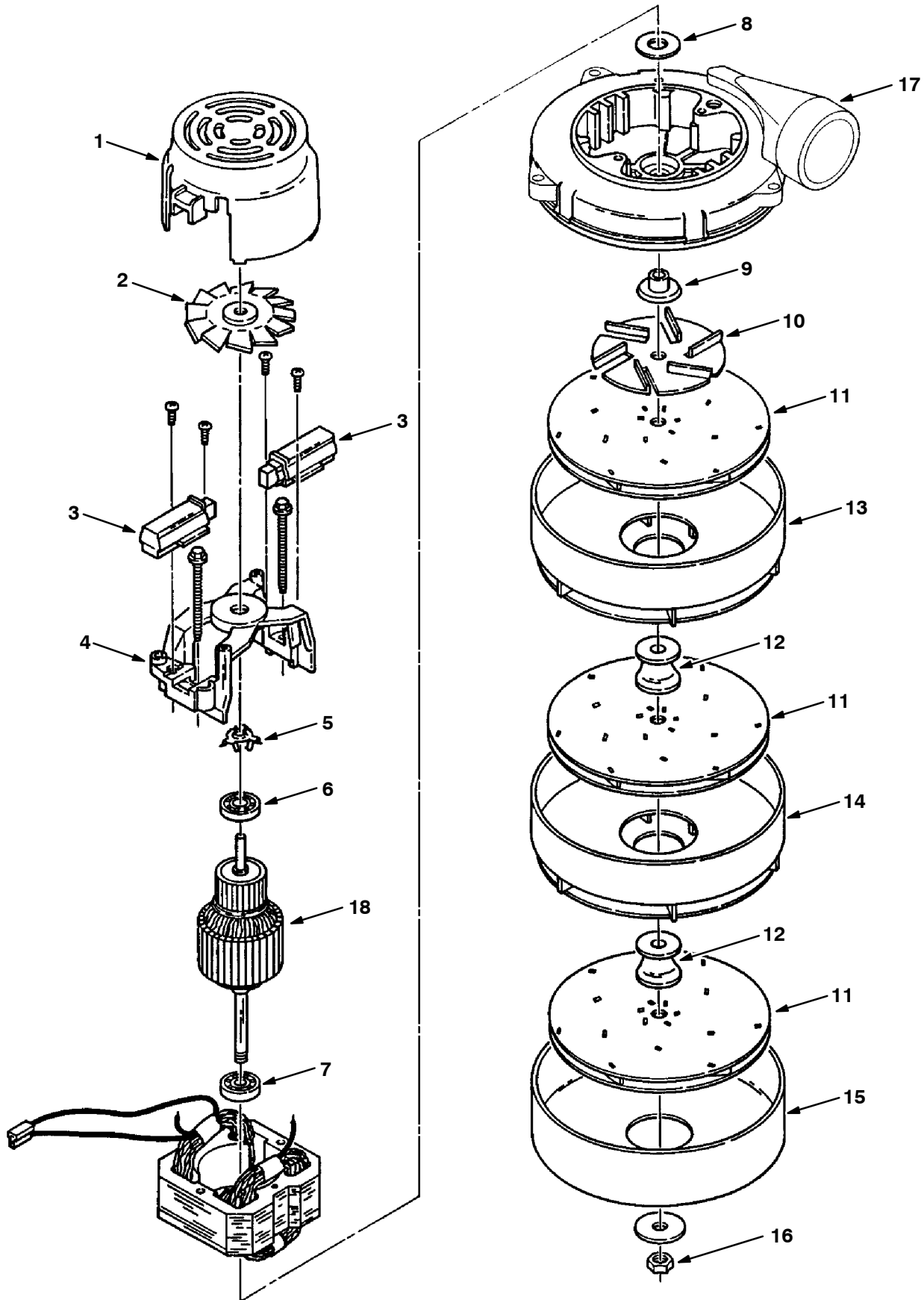
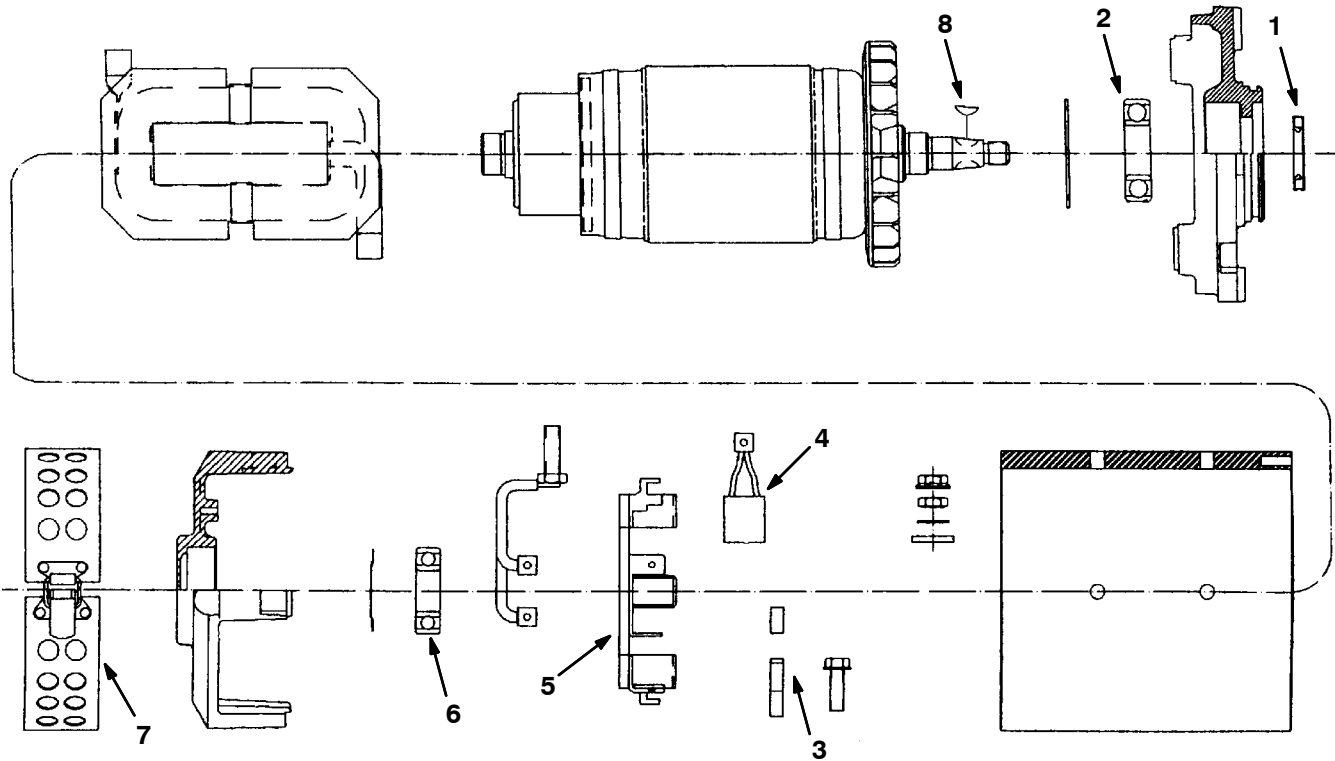


Fig. 2 - Electric Motor Breakdown, 398520

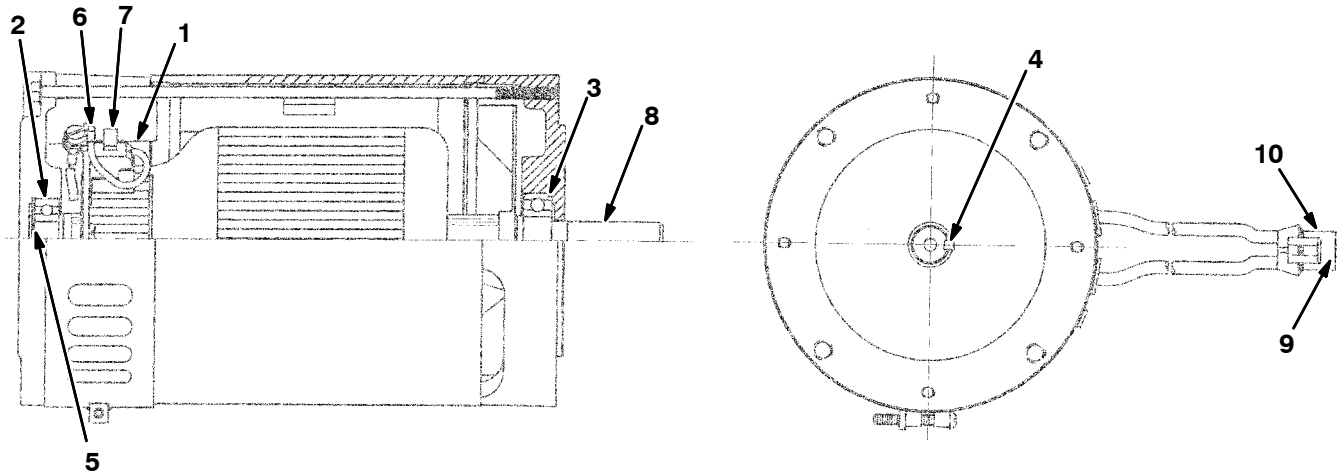
	Ref.	Tenant Part No.	Manufacturer Serial Number	Description	Qty.
▽		398520	(000000-	) Fan, Vacuum	1
▲	1	398511	(000000-	) Housing	1
▲	2	398512	(000000-	) Fan	1
▲	3	398513	(000000-	) Brush Mechanism	2
▲	4	398514	(000000-	) Comm. Bracket	1
▲	5	01856	(000000-	) Spring	1
▲	6	398515	(000000-	) Bearing	1
▲	7	01837	(000000-	) Bearing	1
▲	8	37912	(000000-	) Washer, Neo.	1
▲	9	398516	(000000-	) Spacer	1
▲	10	01971	(000000-	) Fan	1
▲	11	18628	(000000-	) Vacuum Fan	3
▲	12	398517	(000000-	) Spacer	2
▲	13	61300	(000000-	) Stationary Fan	1
▲	14	61297	(000000-	) Stationary Fan	1
▲	15	398518	(000000-	) Shell	1
▲	16	37929	(000000-	) Nut	1
▲	17	60386	(000000-	) Bracket, Fan End	1
▲	18	398519	(000000-	) Armature	1
▲		223264	(000000-	) Seal, Fan	1
▲		10925	(000000-	) Connector, 2 Conductor	1
▲		10926	(000000-	) Terminal, Female	2

**Fig. 3 - Electric Motor Breakdown, 60198**



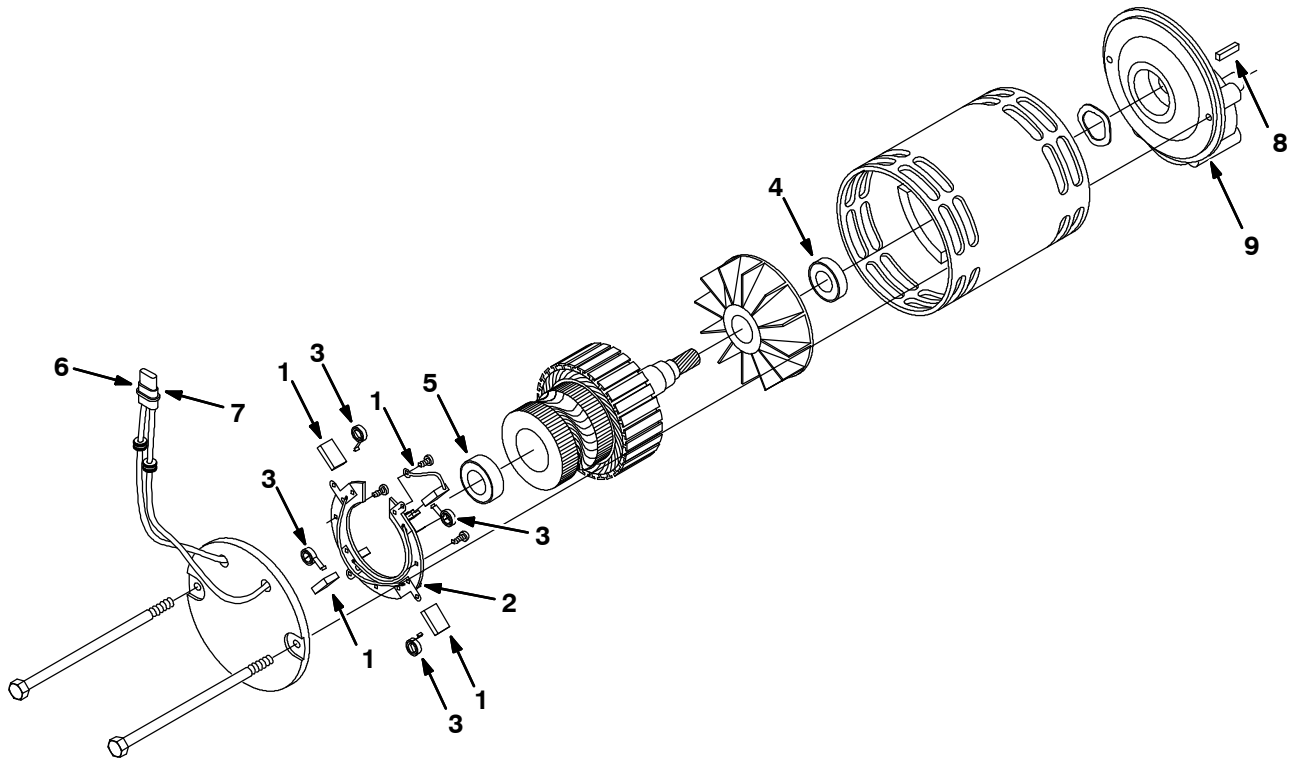
Ref.	Tenant Part No.	Machine Serial Number	Description	Qty.
▽	60198	(000000-	) Motor, traction 36v	
▲	1 48753	(000000-	) Seal	1
▲	2 48754	(000000-	) Bearing	1
▲	3 48755	(000000-	) Spring, brush	4
▲▽	4 363491	(000000-	) Brush kit, propelling motor	1
▲▲	48756	(000000-	) Brush	4
▲	5 48757	(000000-	) Brush, box & plate assy	1
▲	6 48758	(000000-	) Bearing	1
▲	7 361973	(000000-	) Band, Brush Cover	1
▲	8 00500-7	(000000-	) Key, Woodruff, 0.16 0.62	1

**Fig. 4 - Electric Motor Breakdown, 386050**



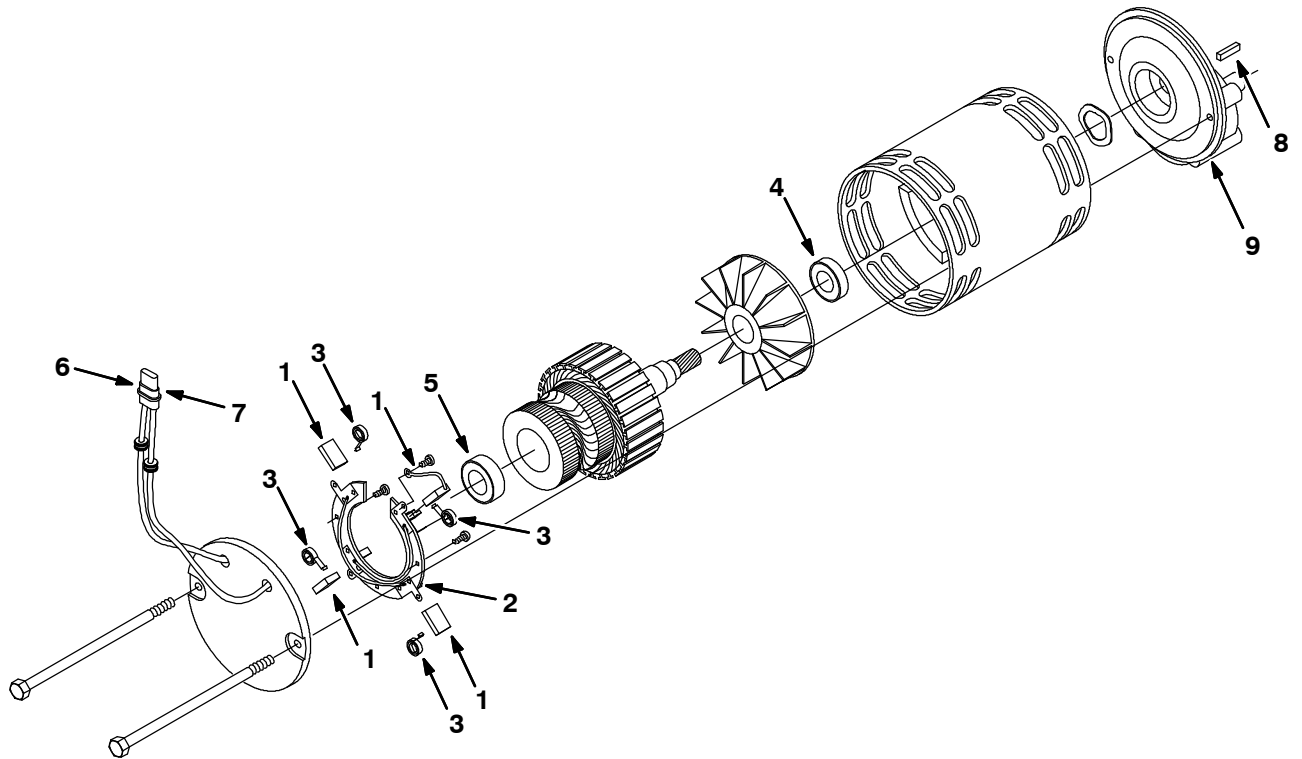
Ref.	Tennant Part No.	Machine Serial Number	Description	Qty.	
▽	386050	(000000-	) Motor, Ele, 36 Vdc 1500 Rpm 1.5 Hp		
▲	1	41367	(000000-	) Brush	4
▲	2	41368	(000000-	) Bearing	1
▲	3	41371	(000000-	) Bearing	1
▲	4	00918	(000000-	) Key, Sq, 0.19 X 0.19, 01.25L	1
▲	5	387250	(000000-	) Spring, Bearing	1
▲	6	21800	(000000-	) Ring, Brush	1
▲	7	60189	(000000-	) Spring	4
▲	8	387251	(000000-	) Armature Assy, Complt	1
▲	9	24537	(000000-	) Terminal, [Metripk630], Fem 10	2
▲	10	10925	(000000-	) Connector, 2-Conductor	1

**Fig. 5 - Electric Motor Breakdown, 386679**



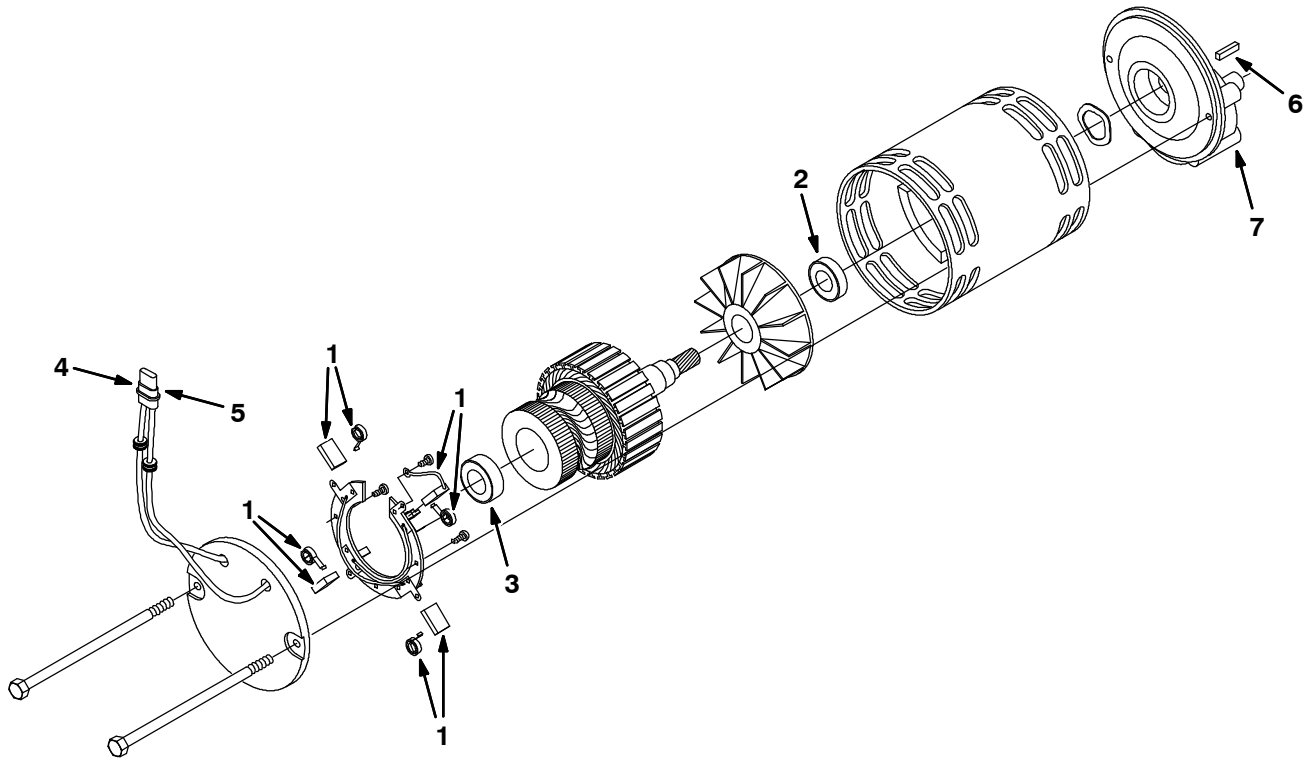
Ref.	Tennant Part No.	Machine Serial Number	Description	Qty.
▽	386679	(000000-	) Motor, Gear, Ele, 1.5Hp, 36Vdc, 300Rpm	
▲	1 387371	(000000-	) Brush Kit	1
▲▽	2 387373	(000000-	) Brush Holder Assy	1
▲▲	3 387374	(000000-	) Spring, Brush	4
▲	4 41371	(000000-	) Bearing	1
▲	5 41368	(000000-	) Bearing	1
▲	6 10925	(000000-	) Connector Body	1
▲	7 24537	(000000-	) Terminal	2
▲	8 00928	(000000-	) Key Square 0.25 X 0.25, 01.00L	1
▲	9 387372	(000000-	) Gearbox, Motor	1

**Fig. 6 - Electric Motor Breakdown, 387585**



Ref.	Tennant Part No.	Machine Serial Number	Description	Qty.
▽	387585	(000000-	) Motor, Gear, Ele, 1.5Hp, 36Vdc, 300Rpm	
▲	1 387589	(000000-	) Brush	4
▲	2 387590	(000000-	) Brush, Board, Assy	1
▲	3 387592	(000000-	) Spring, Brush	4
▲	4 387587	(000000-	) Bearing	1
▲	5 387588	(000000-	) Bearing	1
▲	6 10925	(000000-	) Connector Body	1
▲	7 24537	(000000-	) Terminal	2
▲	8 00928	(000000-	) Key Square 0.25 X 0.25, 01.00L	1
▲	9 374005	(000000-	) Gearbox, Motor	1

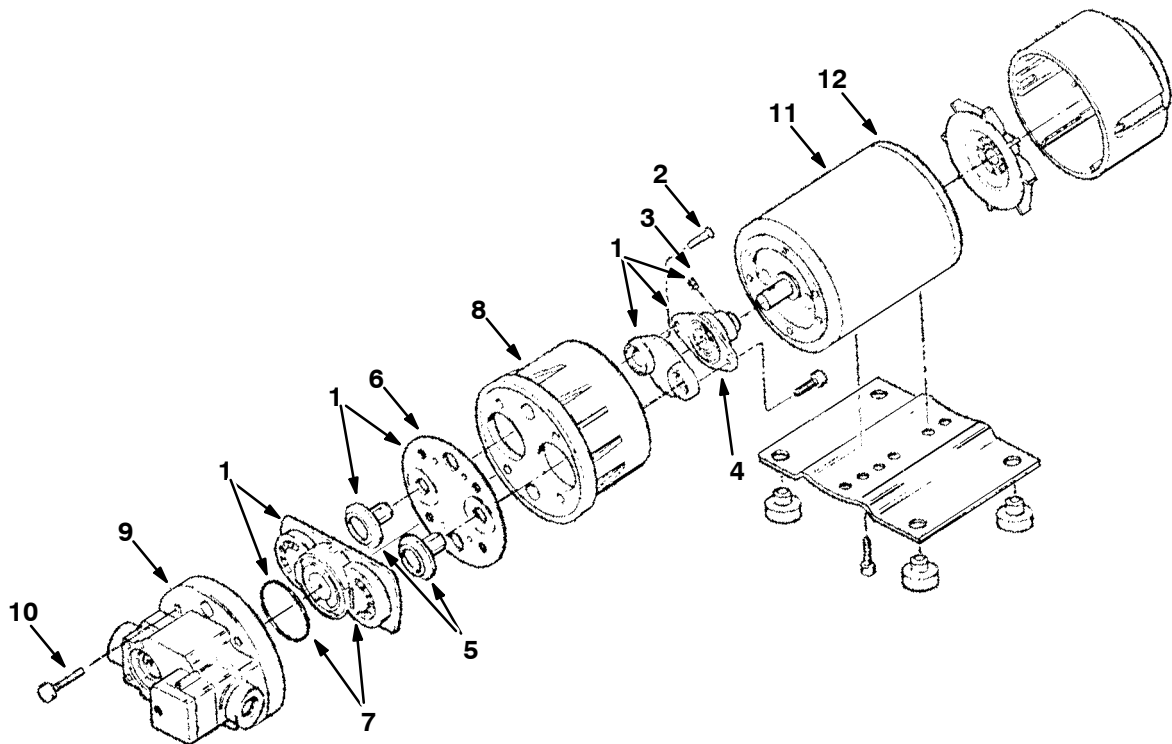
**Fig. 7 - Electric Motor Breakdown, 386687**



Ref.	Tennant Part No.	Manufacturer Serial Number	Description	Qty.
▽	386687	(000000-	) Motor, Gear, 1.0Hp 36V	1
▲	1	222606	(000000-) Brush Kit	1
▲	2	222618	(000000-) Bearing	1
▲	3	222617	(000000-) Bearing	1
▲	4	10925	(000000-) Connector Body	1
▲	5	24537	(000000-) Terminal	2
▲	6	00928	(000000-) Key Square 0.25 0.25 01.00 Lg	1
▲	7	374005	(000000-) Gearbox, Motor	1

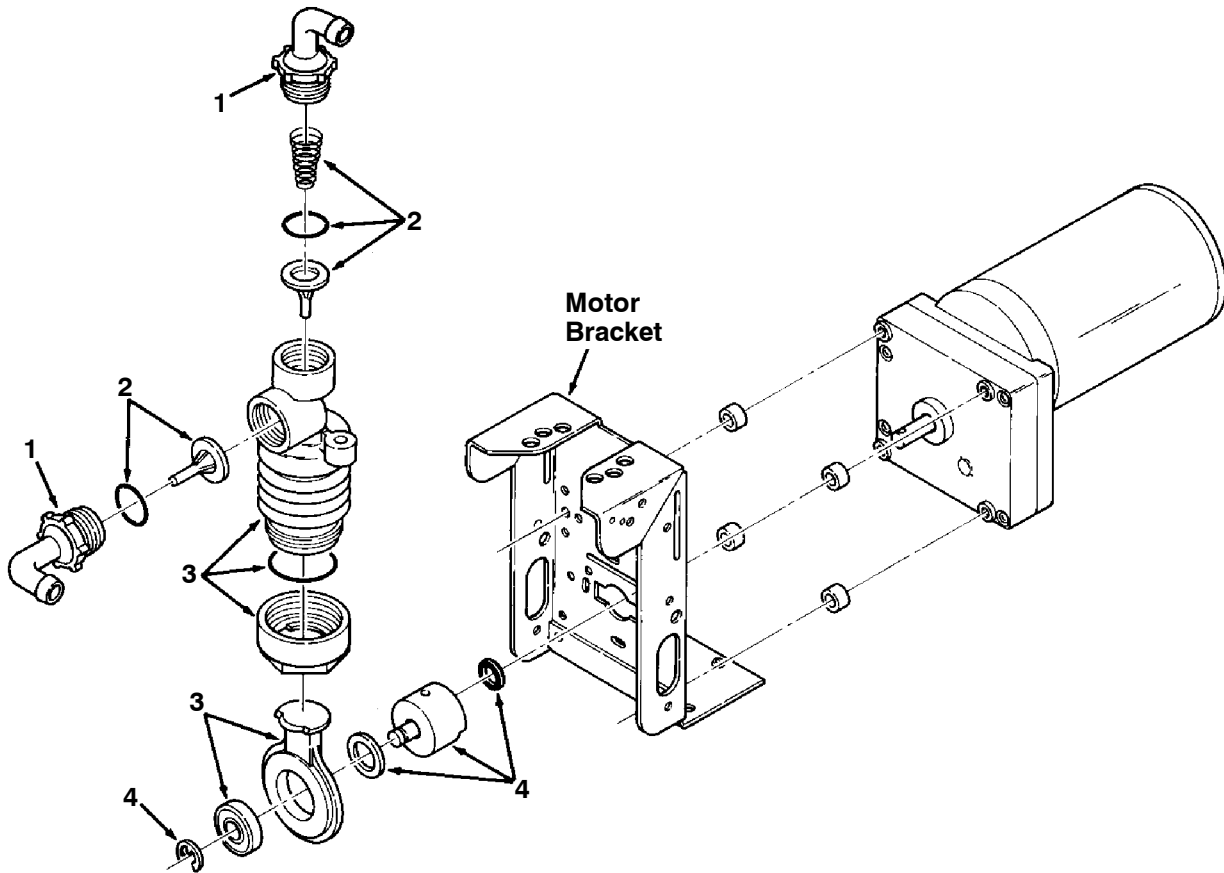


**Fig. 8 - Water Pump Breakdown, 387321**



Ref.	Tennant Part No.	Machine Serial Number	Description	Qty.
▽	387321	(000000-	) Pump kit, power wand	1
▲	1 65678	(000000-	) Seal kit	1
▲	2 65667	(000000-	) Screw	1
▲	3 65668	(000000-	) Screw	1
▲	4 370923	(000000-	) Cam/bearing\Diaphragm Kit	1
▲	5 65671	(000000-	) Piston	1
▲	6 65672	(000000-	) Diaphragm kit	1
▲	7 65673	(000000-	) Check valve assy	1
▲	8 65670	(000000-	) Bearing cover	1
▲	9 65674	(000000-	) Switch assy	1
▲	10 65675	(000000-	) Pump screw	1
▲	11 65676	(000000-	) Motor	1
▲	12 65677	(000000-	) Brush/rectifier Assy	1
▲	78950	(000000-	) Connector assy	2
▲	78951	(000000-	) Terminal female	2
▲	10917	(000000-	) Seal connector	2

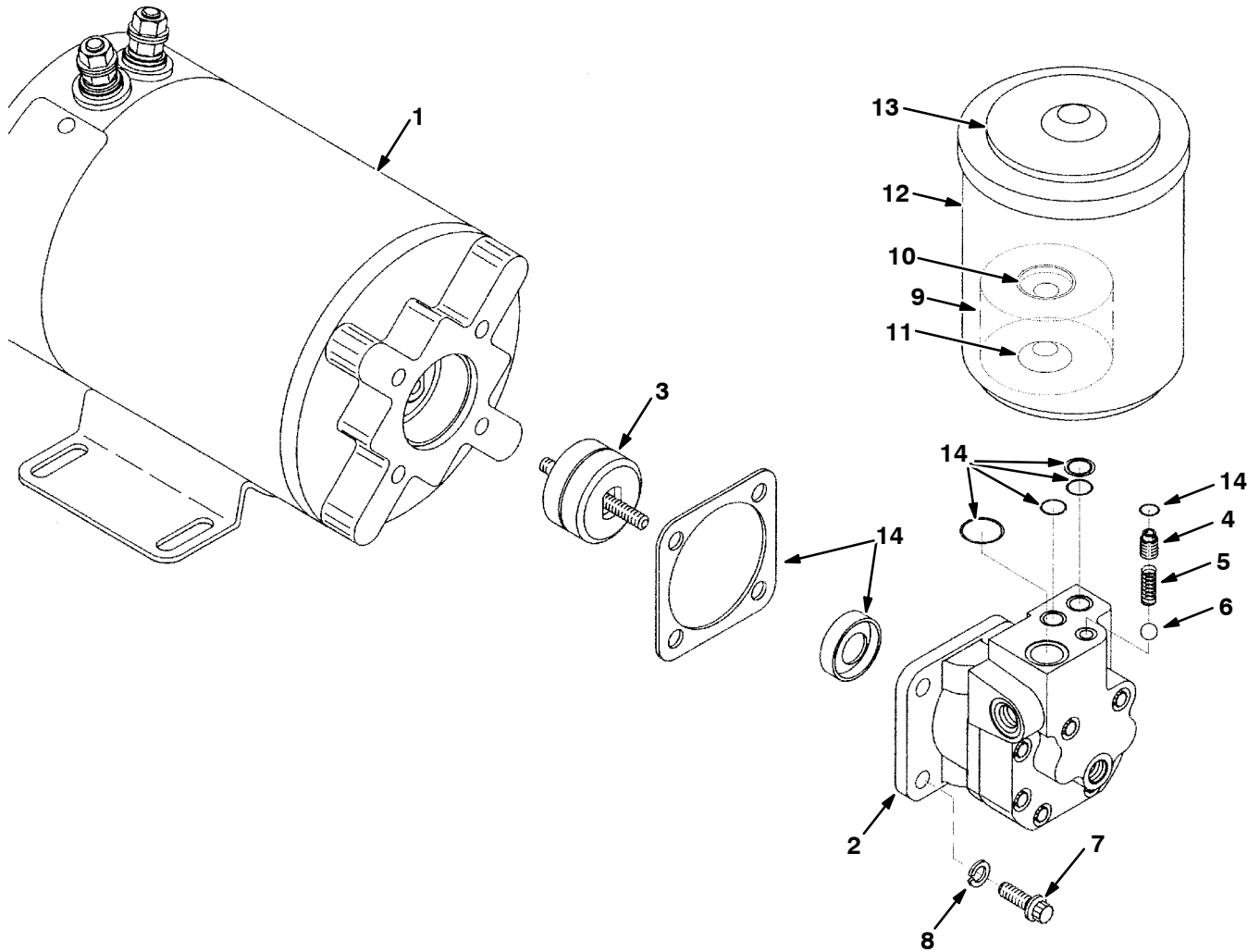
**Fig. 9 - Metering Solution Pump Breakdown, 386364**



00112 - ALL

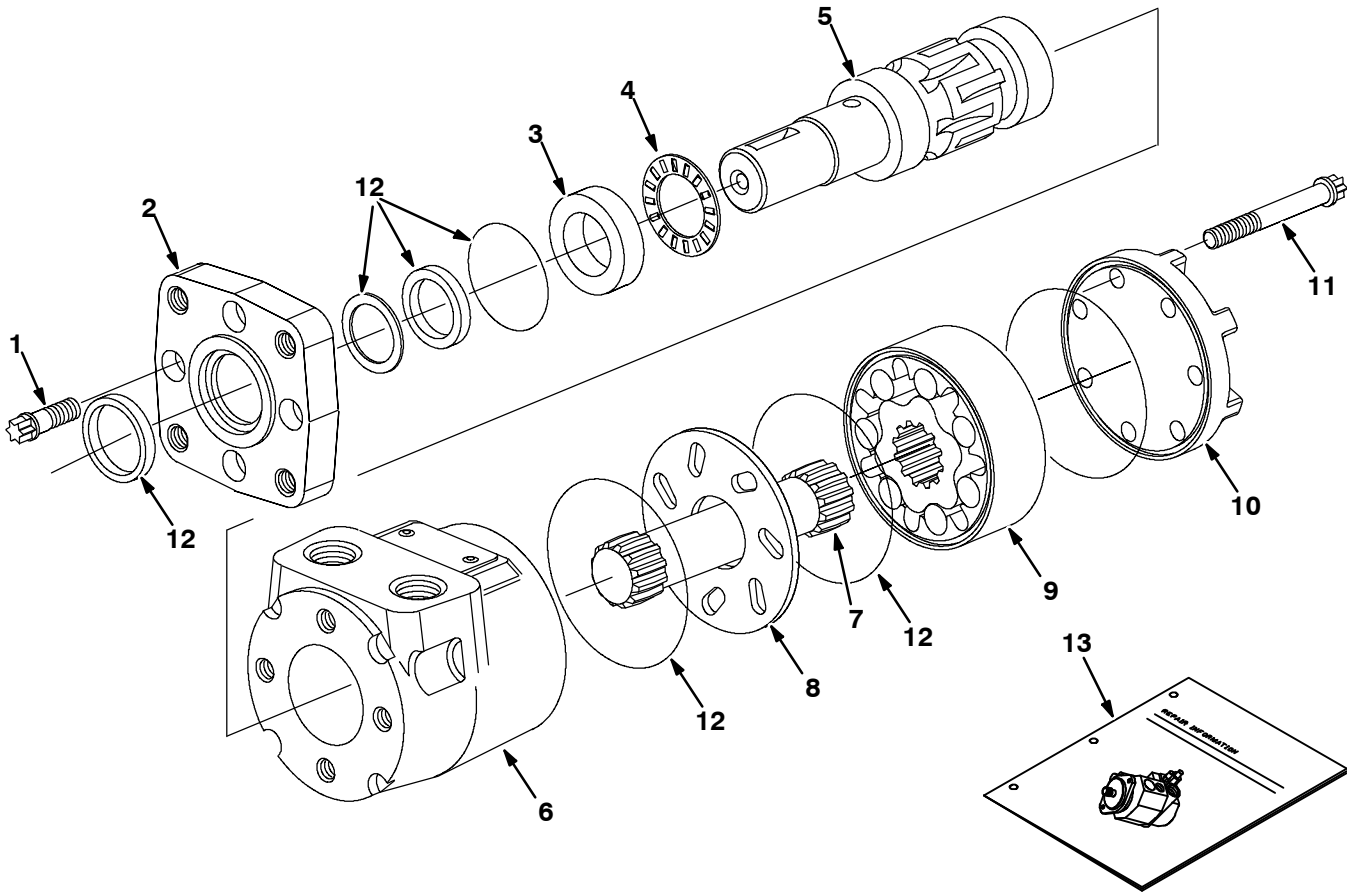
Ref.	Tennant Part No.	Manufacturer Serial Number	Description	Qty.
▽	386364	(000000-	) Pump, Metering Solution	1
▲ 1	63923	(000000-	) Connector Kit, Tubing	1
▲ 2	21659	(000000-	) Valve Kit, Pump	1
▲ 3	21661	(000000-	) Replacement Kit, Bellows	1
▲ 4	02430	(000000-	) Crank Replacement Kit	1

**Fig. 10 - Hydraulic Powerunit Breakdown, 368704**



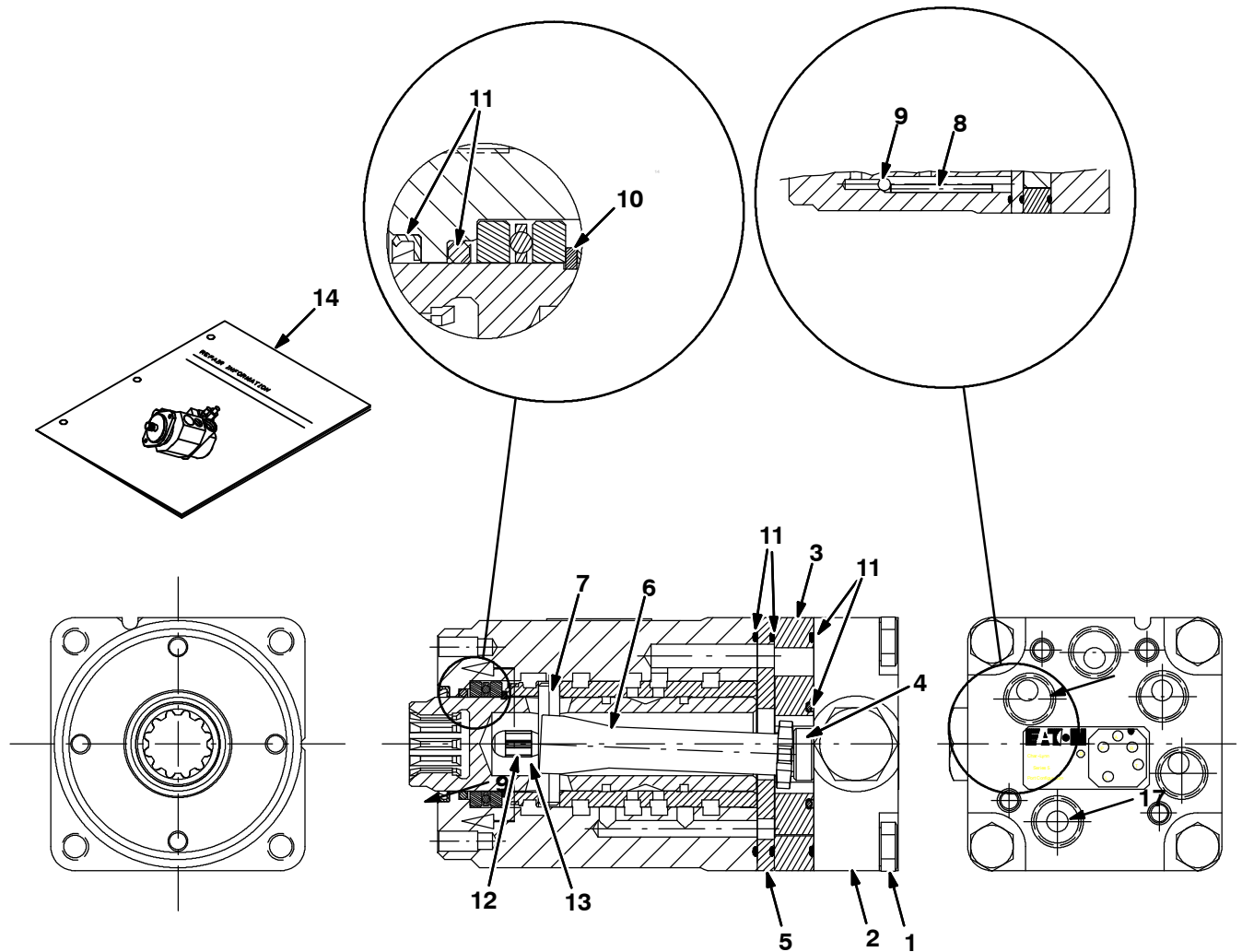
Ref.	Tennant Part No.	Machine Serial Number	Description	Qty.
▽	386704	(000000-	) Powerunit, Hyd, 36Vdc	1
▲	1 387597	(000000-	) Motor, Elect	1
▲	2 387598	(000000-	) Pump assy	1
▲	3 387599	(000000-	) Coupling, Flexible	1
▲	4 387600	(000000-	) Screw, Adjuster	1
▲	5 387607	(000000-	) Spring	1
▲	6 387608	(000000-	) Ball, Check	1
▲	7 387609	(000000-	) Screw, Mtg	4
▲	8 387610	(000000-	) Washer	4
▲	9 387602	(000000-	) Element, Fltr	1
▲	10 387603	(000000-	) Seal, Cup, Upper	1
▲	11 387604	(000000-	) Seal, Cup, Lower	1
▲	12 387605	(000000-	) Reservoir	1
▲	13 387606	(000000-	) Cover, Reservoir	1
▲	14 387601	(000000-	) Kit, Seal	1

**Fig. 11 - Hydraulic Motor Breakdown, 386703**



Ref.	Tenant Part No.	Machine Serial Number	Description	Qty.	
▽	386703	(000000-	) Motor, Hyd	1	
▲	1	37555	(000000-	) Screw	4
▲	2	763504	(000000-	) Flange	1
▲	3	16695	(000000-	) Race Thrust	1
▲	4	45628	(000000-	) Bearing, Thrust	1
▲	5	763508	(000000-	) Shaft, Output	1
▲	6	22655	(000000-	) Housing	1
▲	7	373344	(000000-	) Drive, Main	1
▲	8	22658	(000000-	) Spacer	1
▲	9	373343	(000000-	) Geroler S/A	1
▲	10	373422	(000000-	) Cap, End	1
▲	11	21958	(000000-	) Cap Screw	7
▲	12	373423	(000000-	) Kit, Seal, Motor	1
▲	13	22661	(000000-	) Instruction, Repair	1

Fig. 12 - Steering Control Valve Breakdown, 373495



Ref.	Tennant Part No.	Machine Serial Number	Description	Qty.
▽	373495	(000000-	) Steer-Control, Hyd	4
▲	1 373567	(000000-	) Screw, Cap	1
▲	2 373568	(000000-	) Cap, End	1
▲	3 373569	(000000-	) Geroter	1
▲	4 373570	(000000-	) Spacer	1
▲	5 373571	(000000-	) Plate, Wear	1
▲	6 74231	(000000-	) Drive, Valve, Strg	1
▲	7 74232	(000000-	) Pin, Valve, Strg	1
▲	8 373572	(000000-	) Pin	1
▲	9 74114	(000000-	) Ball, Check, Strg Valve	1
▲	10 74243	(000000-	) Ring, Retainer, Valve, Strg	1
▲	11 74244	(000000-	) Kit, Seal, Hyd, Valve, Strg	1
▲	12 74196	(000000-	) Kit, Spring, Valve, Strg	1
▲	13 21935	(000000-	) Bearing Kit	1
▲	14 74245	(000000-	) Instruction, Repair, Valve, Strg	1

**Fig. 13 - ec-H2O Module Assembly Breakdown, 9006270**

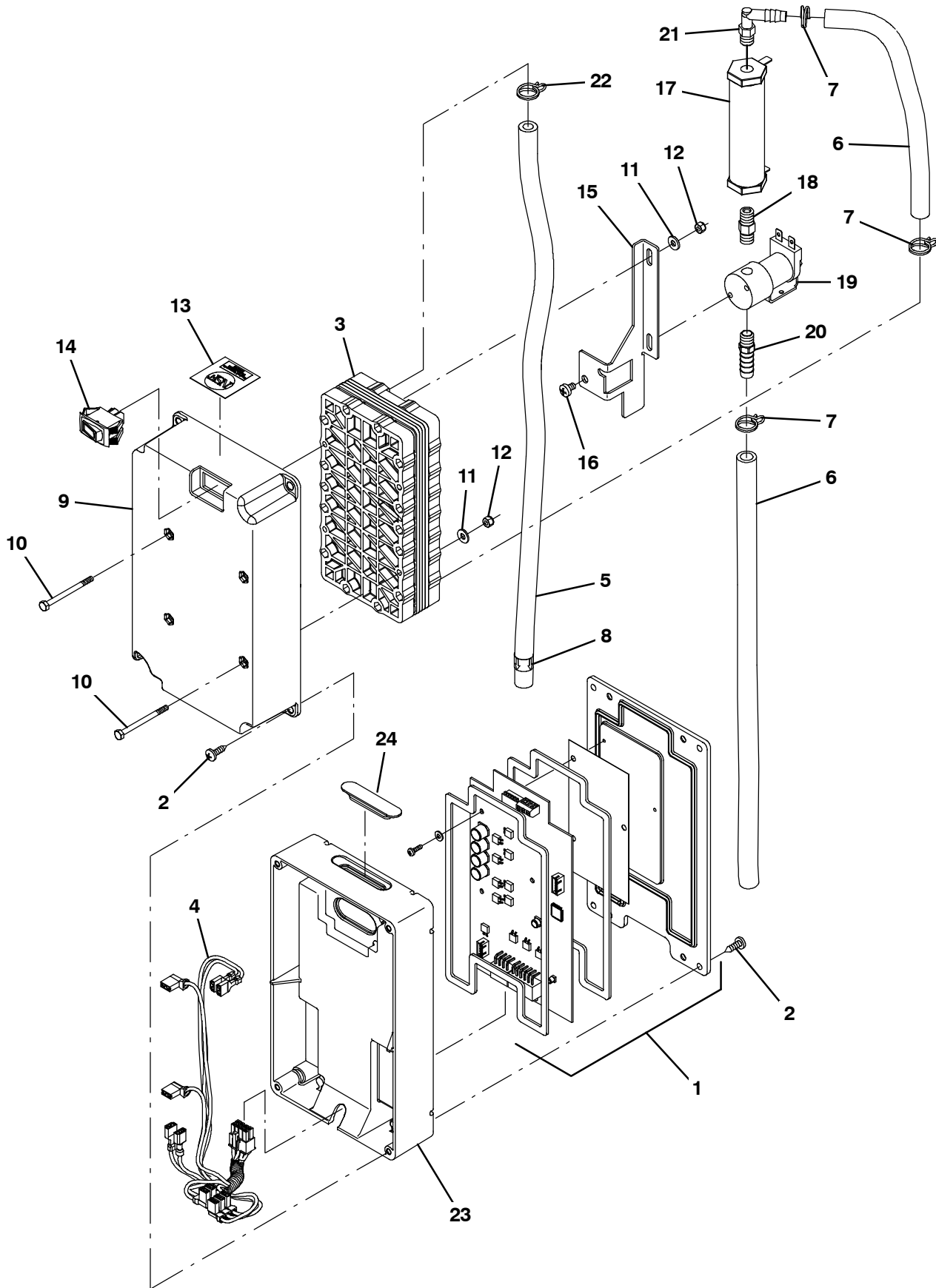
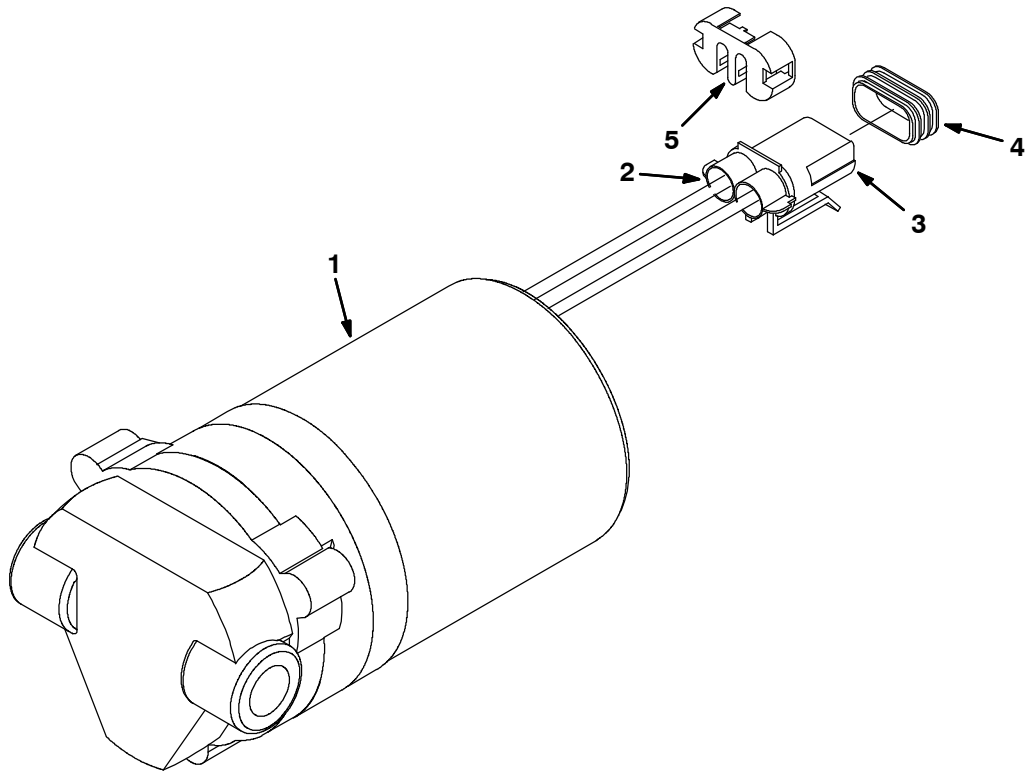


Fig. 13 - ec-H2O Module Assembly Breakdown, 9006270

Ref.	Part No.	Serial Number	Description	Qty.
▽	9006270	(000000-	) Module Kit, Replmt [Ec-H2o]	1
▲	1 9006159	(000000-	) Controller Kit, Replmt [Ec-H2o]	1
▲	2 1018155	(000000-	) Screw, Pan, Phl, M5 X 0.80 X 16, Tcut,Ss	8
▲▽	9006325	(000000-	) Ec-H2o Kit, Module C, Plumbing	1
▲▲	3 1050767	(000000-	) Electrode, 5 Plate, High Flow	1
▲▲	4 1049489	(000000-	) Harness, Main,Controlboard[Ec-H2o 5cell]	1
▲▲	5 1014971	(000000-	) Hose, Afmkt, Pvc, Brd, 0.38id, 01ft, Clr	1
▲▲	6 9006268	(000000-	) Hose, Pvc, Brd, 0.31id 0.53od, 2ft, Clr	1
▲▲	7 1053464	(000000-	) Clamp, Hose, Wir, .56 - .56, Yel	3
▲▲	8 1049637	(000000-	) Label, Direction [Ec-H2o]	1
▲▲	9 1021219	(000000-	) Assy, Rod-End, .50	1
▲▲	10 32509	(000000-	) Screw, Hex, M4 X 0.70 X 50, Ss	4
▲▲	11 41579	(000000-	) Washer, Flat, 08, Ss	4
▲▲	12 33932	(000000-	) Nut, Hex, Lock, M4 X 0.70, NI, Ss	4
▲▲	13 1046041	(000000-	) Label, Module [Nsf, Ec-H2o]	1
▲▲	14 1044393	(000000-	) Switch, Rocker, Spst, Mom	1
▲▲	15 1048741	(000000-	) Bracket, Valve, Large	1
▲▲	16 578856	(000000-	) Screw, Flt, Phl, 10-32 X 0.31	2
▲▲	17 1038159	(000000-	) Electrode, Cylindrical	1
▲▲	18 1045030	(000000-	) Fitting, Brs, Str, Pm02/Pm02	1
▲▲	19 1048643	(000000-	) Valve, Solenoid, 0.25" Orifice, 24vdc	1
▲▲	20 1005375	(000000-	) Fitting, Plstc, Str, Bm06/Pm02, Nyl	1
▲▲	21 1051268	(000000-	) Fitting, Plstc, E90, Bm05/Pm02, Nyl	1
▲▲	22 607775	(000000-	) Clamp, Hose, Wir, .63 - .66, Blk	1
▲	23 1037032	(000000-	) Housing, Bottom	1
▲	24 1050431	(000000-	) Grommet, Blind	1

**Fig. 14 - ec-H2O Solution Pump Breakdown, 1005866**

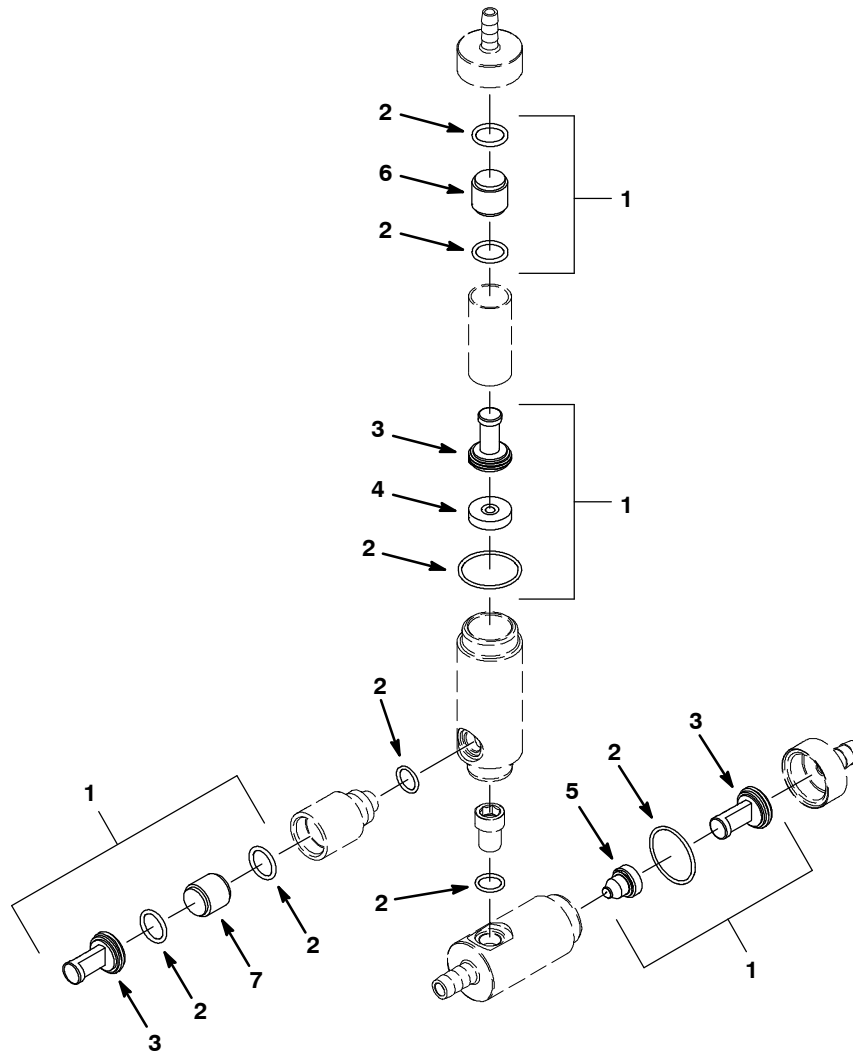


- ALL

Ref.	Part No.	Serial Number	Description	Qty.
∇	1005866	(000000-	) Pump, Soltn, Ele, 36vdc	1
▲	1 391433	(000000-	) Head Kit, Pump, Water, Repair	1
▲	2 78950	(000000-	) Connector, Fem, 2cav, Mp280 Sealed	1
▲	3 78951	(000000-	) Terminal, Fem, Mp280, Sealed, 18-16ga	1
▲	4 10917	(000000-	) Seal, Wire, 14/16ga [Wp / Mp280 Sealed]	1
▲	5 78952	(000000-	) Lock, Secondary, 2cav, Mp280 Sealed	1



Fig. 15 - FaST Injector Assembly Breakdown, 9006118



354649

Ref.	Part No.	Serial Number	Description	Qty.	
▽	9006118	(000000-	) FaST Kit, Injector, Ci [7300/8300]	1	
▲▽	1	9006119	(000000-	) FaST Kit, Ci [Inj Rebl, 7300/8300]	1
▲▲	2	9003008	(000000-	) Fast Kit, Ci, Injector Seals [Fast li+]	1
▲▲	3	9003009	(000000-	) Fast Kit, Ci, Injector Filters[Fast li+]	1
▲▲	4	1050342	(000000-	) Plate Assy, Orifice, 0.010ld, Purple	1
▲▲	5	1050336	(000000-	) Plug, Orifice, 0.052, Ss [FaST II+]	1
▲▲	6	1030444	(000000-	) Valve, Check, 0002psi [Fast li+]	1
▲▲	7	1030441	(000000-	) Valve, Check, 0005psi [Fast li+]	1



# SECTION 5

<b>CONTENTS</b>	<b>PAGE</b>
PART NUMBER TO PAGE NUMBER CROSS REFERENCE LIST .....	5-2
PART DESCRIPTION TO PAGE NUMBER CROSS REFERENCE LIST .....	5-11

# CROSS REFERENCE

## PART NUMBER TO PAGE NUMBER CROSS REFERENCE LIST

Part Number	Page Number	Part Number	Page Number	Part Number	Page Number
00500-10	2-17	01982	4-3	08346	2-51, 3-37, 3-51, 3-69
00500-7	4-6	01983	4-3	08708	2-11, 2-15, 2-17, 2-21, 2-71, 2-73, 2-80, 3-9
00911	3-53, 3-71	02076	2-23	08709	2-9, 2-11, 2-17, 2-21, 2-23, 2-25, 2-33, 2-39, 2-69, 2-75, 2-77, 3-19, 3-23, 3-29, 3-55, 3-57, 3-73, 3-75, 3-93
00912	2-17, 3-53, 3-71	02129	3-123	08711	2-17, 2-27, 3-19, 3-23, 3-29, 3-37
00918	3-53, 3-71, 4-7	02430	4-12	08712	2-39, 2-51, 2-53, 2-55, 2-57, 2-59, 2-61, 2-65, 3-39, 3-41, 3-43, 3-45, 3-49, 3-55, 3-57, 3-59, 3-65, 3-67, 3-73, 3-75, 3-77, 3-83, 3-85, 3-87, 3-111, 3-123
00928	4-8, 4-9, 4-10	02850	2-13, 2-33, 3-89, 3-113	08713	2-25, 2-29, 2-47, 2-49, 2-59, 2-61, 2-65, 2-67, 3-35, 3-37, 3-43, 3-45, 3-47, 3-49, 3-51, 3-69, 3-77, 3-89, 3-105, 3-111, 3-117, 3-119, 3-123, 3-125, 3-127, 3-129, 3-131, 3-133
01316	3-87	02931	2-63	08714	2-49, 2-63, 2-65, 3-11, 3-35, 3-37, 3-53, 3-69, 3-71
01516	2-63	02938	2-73	08716	2-51, 2-57, 2-59, 2-61, 2-65, 3-23, 3-29, 3-43, 3-45, 3-49, 3-59, 3-65, 3-67, 3-77, 3-83, 3-85
01683	2-21, 2-37, 2-39, 2-41, 2-43, 2-47, 2-69, 2-71, 2-73, 3-91, 3-93, 3-123	02942	3-23, 3-29, 3-53, 3-71	09007	2-15, 2-39, 3-87, 3-111
01684	2-5, 2-7, 2-9, 2-13, 2-39, 2-47, 2-57, 2-59, 2-61, 2-65, 2-67, 2-75, 2-77, 3-23, 3-29, 3-43, 3-45, 3-49, 3-53, 3-55, 3-57, 3-59, 3-61, 3-63, 3-65, 3-67, 3-71, 3-73, 3-75, 3-77, 3-79, 3-81, 3-83, 3-85, 3-87, 3-99, 3-101, 3-111, 3-119	03495	2-67, 3-117, 3-119	09010	2-13, 2-33, 2-49, 2-63, 2-65, 3-35, 3-37, 3-51, 3-69, 3-87, 3-111, 3-117
01685	2-9, 2-13, 2-19, 2-25, 2-29, 2-41, 2-47, 2-49, 2-53, 2-55, 2-57, 2-59, 2-61, 2-65, 2-67, 3-23, 3-27, 3-29, 3-33, 3-35, 3-37, 3-39, 3-41, 3-43, 3-45, 3-49, 3-55, 3-57, 3-59, 3-69, 3-73, 3-75, 3-77, 3-87, 3-89, 3-105, 3-111, 3-113, 3-117, 3-119, 3-123, 3-127, 3-129, 3-131, 3-133	04373	3-25, 3-31	09011	2-29, 3-89
01686	2-29, 2-41, 2-49, 2-51, 2-57, 2-59, 2-61, 2-63, 2-65, 3-11, 3-13, 3-27, 3-33, 3-35, 3-37, 3-43, 3-45, 3-49, 3-51, 3-53, 3-59, 3-61, 3-63, 3-69, 3-71, 3-77, 3-79, 3-81, 3-117	04414	2-67, 3-117, 3-119	09023	2-59, 2-61, 3-45, 3-49, 3-105, 3-123
01692	3-61, 3-79	04417	2-63, 2-65	09026	2-25
01713	2-9, 2-71, 2-73, 2-75, 2-77, 3-19, 3-27	04733-10	2-65	09028	2-49, 3-11, 3-13, 3-27, 3-33, 3-35, 3-37, 3-69
01714	2-21	04733-2	3-23, 3-29	09030	2-23
01715	2-71, 2-73, 2-75, 2-77, 3-19, 3-27	04843	2-39, 2-47, 2-57, 3-43, 3-59, 3-77	09088	2-27
01726	3-127, 3-129, 3-131, 3-133, 3-134, 3-135, 3-136, 3-137, 3-138, 3-139, 3-140	05686	2-63	09198	2-5, 2-7, 3-53, 3-71, 3-123
01760	3-123	06279	2-47, 2-51, 2-65, 3-37, 3-43, 3-51, 3-69	09206	2-33, 3-89
01837	4-3, 4-5	06474A	2-21	09228	3-113
01842	4-3	06549	2-15, 2-37, 2-71, 2-73, 3-53, 3-71	09244	2-69, 2-80
01856	4-3, 4-5	06925	2-73	09252	2-31
01969	4-3	06931	2-21, 2-73	09291	3-53, 3-71
01971	4-3, 4-5	06942	2-31, 2-33, 2-37, 2-71, 2-73, 2-79, 3-19, 3-27	09294	2-23
		06943	2-9, 2-11, 2-25, 2-45, 3-9	09480	3-23, 3-29
		06944	2-21	09718	3-37, 3-51, 3-69
		06945	2-80	09738	3-53, 3-71
		06946	2-17	09739	2-43, 2-47, 3-51, 3-69, 3-91, 3-123
		06949	3-9		
		06955	2-25		
		06960	3-19		
		06961	3-13, 3-15		
		06963	2-21		
		06969	2-27, 3-37		
		06974	3-23, 3-29		
		07112	2-17, 3-19		
		07450	2-63, 2-65, 3-25, 3-31		
		07471	3-57, 3-75		
		07514	2-73, 2-75, 2-77, 3-19		
		07786	2-59, 2-61, 3-45, 3-49, 3-61, 3-63, 3-79, 3-81		
		07789	2-80, 3-93		
		07790	2-71, 2-73, 3-9		
		07791	2-9, 3-5, 3-7, 3-23, 3-27, 3-29, 3-33		
		07792	2-63, 3-99, 3-101		
		07805	3-123		
		08085	3-61, 3-63, 3-79, 3-81		
		08178	2-13, 2-65, 2-67, 3-119		
		08179	3-117		
		08182	2-21, 2-47, 2-51, 2-57, 3-25, 3-31, 3-37, 3-43, 3-51, 3-59, 3-69		
		08236	2-9		

# CROSS REFERENCE

Part Number	Page Number	Part Number	Page Number	Part Number	Page Number
09740	2-9, 2-13, 2-41, 3-37, 3-69, 3-123, 3-125, 3-127, 3-129, 3-131, 3-133	1011403	2-31, 2-33, 2-35, 2-37, 2-55, 3-57, 3-75	1037346	3-93
09741	2-67, 3-61, 3-63, 3-79, 3-81, 3-117, 3-119	1011411	3-93	1037822	2-2, 2-3, 2-41
09744	3-61, 3-63, 3-67, 3-79, 3-81, 3-85, 3-99, 3-101	1011412	3-93	1038159	4-17
09767	2-67, 3-117, 3-119	1011521	2-31, 2-37, 2-53, 3-41, 3-57, 3-75	1039190	2-67, 3-119
09774	3-61, 3-63, 3-79, 3-81	1011713	3-53, 3-71	1039617	2-45
1001062	3-53, 3-71	1011835	2-35	1040295	2-17
1001099	2-51, 3-37, 3-51, 3-69	10120	2-27	1040467	3-93
1002464	3-47, 3-67, 3-85	1012528	2-53, 2-55, 3-39, 3-41	1040868	3-95
1002789	2-35	1013857	2-31	1041797	2-45
1002898	2-33, 2-37	1013866	2-33	1041822	3-95
1002899	2-33, 2-37	1013866	2-33	1041884	3-144
1005026	2-3	1014056	2-33	1042499	2-7
1005086	2-35	1014082	2-33	1042504	2-7
1005133	3-47, 3-67, 3-85	1014875	3-75	1042513	2-21
1005135	3-47, 3-67, 3-85	1014971	4-17	1042514	2-21
1005255	2-33	1014976	3-93	1043866	3-93
1005302	2-35, 2-37, 3-93	1014986	2-33, 2-37	1044393	4-17
1005304	2-35	1014987	2-33	1045030	4-17
1005375	3-93, 4-17	1015045	2-55, 3-41, 3-57, 3-75	1045633	2-37
1005416	2-80	1015048	3-41, 3-57, 3-75	1046041	4-17
1005435	2-33, 2-37	1015090	3-57	1046173	3-93
1005508	2-31	1015096	2-101	10464	3-53, 3-71
1005552	2-35	1015097	3-57	1048643	4-17
1005866	2-31, 3-93, 4-18	1015558	2-53, 2-55, 3-39	1048741	4-17
1006400	2-37	1017015	2-33	1048932	2-19
1006401	3-41	1017022	2-33	1048955	2-19
1006447	2-31	1017255	3-93	1049092	2-19
1007107	3-123	1017288	2-101, 2-102	1049254	2-37
1007129	3-123	1017289	2-101	1049259	2-37
1007337	2-73	1017368	2-7	1049269	3-99, 3-101
1007344	2-73	1017368	2-7	1049489	4-17
1007349	2-73	1017386	3-93	1049637	4-17
1007353	2-73	1017413	2-35, 2-37, 2-55, 3-41, 3-57, 3-75, 3-93	1050003	3-95
1007486	3-37, 3-69	1017415	2-35, 2-37, 3-93	1050193	3-37, 3-51, 3-69
1007632	2-59, 3-45	1017441	3-23, 3-29	1050195	2-51
1008211	2-33	1017802	3-23, 3-29	1050336	4-19
1008274	3-23	1018155	4-17	1050342	4-19
1008275	3-29	1019285	2-41, 3-89	1050431	3-93, 4-17
1010325	2-101	1019344	3-120, 3-121	1050664	3-97
1010614	2-31	1021219	4-17	1050767	4-17
1010655	2-31	1021878	2-33, 2-37	1050771	2-37
1010658	2-31	1022465	3-121	1050805	2-37
1010660	2-31	1022558	3-121	1051030	2-5, 2-7
1010661	2-31	1022564	3-120	1051268	4-17
1010668	2-37, 3-57, 3-75	1022565	3-120	1052017	3-93
1010713	2-31	1023676	2-27	1052588	2-102
1010791	2-31, 2-33	1023677	2-27	1052683	3-93
1010797	2-33	1024009	2-33	1052726	3-93
1010832	3-75	1028580	2-80	1052755	3-95
1010835	2-31	1028581	2-31, 2-37	1052832	3-93
1010836	2-31	1030441	4-19	1053078	3-93
1010871	2-33	1030444	4-19	1053464	4-17
1011170	2-33	1031699	2-29, 2-43, 3-91, 3-105	1054657	3-97
1011276	2-80, 2-81	1031700	3-99, 3-101	1055254	3-93
		1034891	2-21	1055255	3-93
		1035794	2-37	1055336	3-93
		1036490	2-17	1055883	3-95
		1037032	4-17	1056331	3-95
				1056416	3-93
				1056944	3-95

# CROSS REFERENCE

Part Number	Page Number	Part Number	Page Number	Part Number	Page Number
10575	3-87	15648	2-47, 3-25, 3-31	222117	3-113
10632-12	3-5, 3-7, 3-9	15675	2-19, 2-41, 2-45, 3-55, 3-57, 3-73, 3-75, 3-87	222159	2-21
10632-13	2-15, 2-25	15678	2-53, 2-55, 3-39, 3-41, 3-53, 3-55, 3-57, 3-71, 3-73, 3-75, 3-87	222196	3-25, 3-31
10632-14	2-69	15840	2-79	222277	2-57, 3-43, 3-59, 3-77
10632-17	2-69	15846	2-75	222290	2-15, 2-73, 2-101, 2-102, 3-95
10632-19	2-33	16356	2-53	222460	2-25
10632	2-21	16367	2-17	222497	2-67, 3-117, 3-119
10912	2-45	16370	2-17	222505	2-57, 3-43, 3-59, 3-77
10917	4-11, 4-18	16695	4-14	222534	2-15
10925	4-3, 4-5, 4-7, 4-8, 4-9, 4-10	16735	2-9, 2-17, 2-23, 2-37, 2-39, 3-93	222539	3-25, 3-31
10926	4-3, 4-5	16816	2-63	222556	2-57, 3-43, 3-59, 3-77
11329	3-19	16879	2-15	222606	4-10
11398	3-23, 3-29	16914	2-53, 2-55, 3-39, 3-55, 3-73	222617	4-10
11399	2-3, 2-29, 2-53, 3-47, 3-55, 3-57, 3-67, 3-73, 3-75, 3-85	16931	2-9, 2-11, 2-17, 2-23, 2-33, 2-69, 2-75, 2-77, 3-19, 3-25, 3-31	222618	4-10
11756	4-3	16949	3-61, 3-63, 3-79, 3-81	222788	3-67, 3-85
12273	2-29, 2-41, 2-53, 2-55, 3-39, 3-41, 3-113	17188	3-93	222822	2-41, 3-89
12274	2-73	17260	2-5	22297	2-45
12309	2-67, 3-117, 3-119	17261	2-5	223044	2-2, 2-9
12312	2-37, 2-71, 2-73, 2-81, 3-93	17262	2-5	223054	2-65
12316	2-43, 2-47, 3-91	17263	2-5	223061	2-17
12317	2-63, 2-65, 3-53, 3-71	17363	2-45, 4-3	223073	2-17
12323	3-105	17404	2-59, 2-61, 3-45, 3-49, 3-61, 3-63, 3-79, 3-81	223078	2-19
12333	2-59, 2-61, 3-45, 3-49	18627	4-3	223090	2-21
12459	2-9, 2-47	18628	4-3, 4-5	223094	2-21
12540	2-23	18630	4-3	223239	2-21
13248	2-19, 2-45, 2-47, 3-51, 3-69	19064	2-33, 3-113, 3-115	223264	2-2, 2-3, 2-45, 4-3, 4-5
13292	2-41, 2-45, 3-89	19066	2-15, 2-31, 2-71, 2-73, 2-75, 2-77, 2-81, 3-5, 3-9, 3-19, 3-27	223320	2-21
13513	2-21	19312	2-71, 2-73	223470	3-27, 3-33
14150	2-23	19314	2-71	223499	2-29
14242	2-27	19320	2-69	223515	3-39
14271	2-17	19903	3-99, 3-101	223528	2-29
14296	2-23	20806	2-65	223595	3-17
14432	3-67, 3-85	20807	3-39	223600	2-21
14455	2-47	20810	2-29	223601	2-21
14523	2-51	20833	2-2, 2-3, 2-63	223699	2-53
14524	2-51, 3-37, 3-51, 3-69	20932	3-99, 3-101	22655	4-14
14555	2-63	20944	3-105	22658	4-14
14601	2-21	20950	3-105	22661	4-14
14725	2-57, 3-43, 3-59, 3-77	20951	3-105	23456	2-29, 3-99, 3-101
14838	2-5, 2-7	20952	3-105	24105	3-87
14864	2-43, 3-91	21601	2-67, 3-117, 3-119	24198	3-51, 3-69
14877	3-87, 3-89	21602	2-67, 3-117, 3-119	24199	3-123
14880	2-43, 3-91	21603	2-67, 3-117, 3-119	24254	2-51, 3-37
14953	2-5	21606	2-67, 3-117, 3-119	24299	2-5, 2-7
14967	2-5	21659	4-12	24358	2-43, 3-91, 3-105
150016	3-93	21661	4-12	24537	4-7, 4-8, 4-9, 4-10
150208	3-109	21765	4-3	24543	3-89
15023	2-49, 3-35, 3-51, 3-69	21800	4-7	24544	2-29, 3-87
150511	3-93	21935	4-15	24555	2-67, 3-117, 3-119
150525	2-33	21958	4-14	24698	3-93
150540	2-37			24929	2-31
150709	2-37			25014	3-25, 3-31
150713	2-37			25312	3-143
15539	2-5, 2-7			25537	2-19
				25538	3-27
				25620	2-33
				25735	2-59, 2-61, 3-45, 3-49, 3-61, 3-63, 3-79, 3-81
				26156	2-39

# CROSS REFERENCE

Part Number	Page Number	Part Number	Page Number	Part Number	Page Number
26315	2-27	330613	3-144	369415	3-123
26395-1	2-47	330615	3-144	369702	2-9
26395-2	3-5, 3-9	33295	3-87	369766	2-41, 3-89
26426	3-93	33807	3-87	369795	3-23, 3-29
26428	3-53, 3-71	33925	3-61, 3-63, 3-79, 3-81	369796	3-23, 3-29
27880	2-39	33930	2-57, 2-75, 2-77, 3-43, 3-59, 3-77	369865	3-87
27928	2-15	33932	3-53, 3-71, 3-105, 3-123, 4-17	370080	2-5
27980	2-59, 3-45	33948	2-65	370090	2-5
28622	3-9	34195	2-49, 3-35	370092	2-7
29557	2-51, 3-37, 3-51, 3-69	35836	3-53, 3-71	370094	2-5
29558	2-59	35996	2-17	370095	2-7
29568	3-45	360352	3-93	370100	2-67, 3-117, 3-119
29584	2-57, 3-43, 3-59, 3-77	360357	3-23, 3-29	370156	2-73
30013	2-17	360369	2-19	370923	4-11
30241	2-7	360370	2-19	371905	3-99, 3-101
30533	3-15	360518	2-9	373343	4-14
31647	2-75, 2-77	360520	2-15, 3-5, 3-7	373344	4-14
32124	2-49, 3-35	360801	2-13, 2-37, 2-41, 3-23, 3-29	373422	4-14
32483	2-11, 2-15, 2-45, 2-71, 2-73, 2-75, 2-79, 3-9, 3-19, 3-27, 3-47, 3-67, 3-85	360943	3-5, 3-9, 3-89, 3-115	373423	4-14
32485	2-21, 3-25, 3-31	360973	3-143	373424	3-19
32486	2-21, 2-27, 3-9, 3-19, 3-23, 3-25, 3-29, 3-31, 3-37	360980	2-23	373495	3-19, 4-15
32490	2-21, 2-25, 2-31, 2-33, 2-53, 2-55, 2-71, 2-73, 2-75, 2-77, 3-39, 3-41, 3-93	361076	2-15	373496	3-19
32491	2-9, 2-11, 2-17, 2-23, 2-33, 2-37, 2-39, 2-69, 2-73, 3-17, 3-19, 3-23, 3-25, 3-29, 3-31, 3-37	361144	2-15	373567	4-15
32492	2-65, 3-13, 3-23, 3-25, 3-29, 3-57, 3-75, 3-99, 3-101	361339	2-9, 3-47, 3-67, 3-85	373568	4-15
32493	2-17, 2-47, 3-15, 3-43, 3-51, 3-69	361973	4-6	373569	4-15
32501	2-43, 3-91	363087	3-25, 3-31	373570	4-15
32508	2-43, 3-91	363113	3-37, 3-51, 3-69	373571	4-15
32509	4-17	363120	2-57, 3-43, 3-59, 3-77	373572	4-15
32613	2-43, 3-91	363151	2-65	374005	4-9, 4-10
32614	2-43, 3-91	363152	2-57, 3-59	374204	2-79
32669	2-43, 3-91	363162	3-117	375301	3-53, 3-71
32716	2-63, 3-117	363236	2-57	375302	2-41, 3-89
32746	2-5, 2-7	363237	2-57, 3-59, 3-77	375308	3-89
32815	2-75, 2-77	363238	3-43	375322	3-87
32969	2-27	363301	3-117	375411	2-19
32980	2-9, 2-21, 2-71, 2-73, 3-9, 3-27	363385	2-23	375426	3-89
32981	2-21	363453	2-39	375427	3-89
32982	2-71, 2-73, 2-75	363468	3-53, 3-71	375429	2-41
32983	2-19, 3-17	363491	4-6	375431	2-29, 3-103
32984	2-33, 2-71, 2-73, 2-75, 2-77, 3-19, 3-27	364085	2-9	37555	4-14
32988	2-75, 2-77	364404	2-57, 3-43, 3-59, 3-77	377084	2-80, 2-81, 3-95
330610	3-144	364545	3-87	377341	3-123
330611	3-144	364614	2-51, 2-63, 3-117	377349	2-43
330612	3-144	364631	2-53, 2-55, 3-39, 3-41	377364	2-49, 3-35
		364669	3-105	377398	3-53, 3-71
		364858	2-57, 3-43, 3-59, 3-77	378951	2-5
		364895	3-55, 3-73	378976	3-35
		364896	3-55, 3-73	378983	4-3
		364899	3-55, 3-73	37909	4-3
		365032	3-7	37912	4-3, 4-5
		365033	3-7	379217	2-25
		365093	2-29	37926	4-3
		365096	2-29	37929	4-3, 4-5
		365156	2-49, 3-35, 3-51, 3-69	381867	3-20
		365164	2-53, 2-55	382452	3-105
		365180	2-51, 3-37, 3-51, 3-69	382991	3-89
		365252	2-9	383720	2-81
				383721	2-69, 2-80
				383722	2-69, 3-5, 3-7, 3-27
				383723	2-69

# CROSS REFERENCE

Part Number	Page Number	Part Number	Page Number	Part Number	Page Number
383724	2-69	386204	3-19	386344	3-140
383725	2-69	386209	3-19	386346	2-15
383727	2-69	386214	3-19	386349	2-45
383728	2-69	386215	3-19	386351	2-39
385666	3-87	386216	3-19	386356	2-59, 2-61, 3-45, 3-49
385682	3-39	386217	2-17	386364	3-105, 4-12
385685	2-41, 3-89	38622	3-9	386367	2-27
385726	2-21	386222	2-29	386370	2-27
385750	2-41	386223	2-2, 2-3, 2-41	386375	2-25
386020	2-2	386224	2-29	386378	2-27
386021	2-2	386228	2-19	386379	2-27
386022	2-3	386229	2-25	386380	2-49
386023	2-3	386230	2-5	386387	2-2, 2-49
386031	2-47	386231	2-7	386388	2-2, 2-49
386040	3-59, 3-77	386234	2-67, 3-117, 3-119	386390	2-59, 2-61, 3-45, 3-49
386043	2-57, 3-43	386240	2-5	386391	2-59, 2-61, 3-45, 3-49
386048	2-57, 3-43, 3-59, 3-77	386241	2-7	386392	3-87, 3-111
386049	2-47	386250	2-5	386393	3-111
386050	3-53, 3-71, 4-7	386251	2-7	386394	3-87
386053	2-2, 2-3, 3-53, 3-71	386252	2-63	386395	3-105
386058	3-53, 3-71	386256	2-63	386413	2-13
386062	3-53, 3-71	386257	3-53, 3-71	386414	2-41
386063	3-53, 3-71	386260	2-2, 2-3, 2-59, 2-61, 3-45, 3-49, 3-61, 3-63, 3-79, 3-81	386415	3-11
386066	3-53, 3-71			386416	3-11
386067	3-53, 3-71			386417	3-11
386070	3-51, 3-69	386262	2-61, 3-49, 3-63, 3-81	386419	2-29
386071	3-51, 3-69	386263	2-59, 3-45, 3-61, 3-79	386420	2-29
386072	3-53, 3-71	386264	2-67, 3-117, 3-119	386421	2-29
386080	3-53, 3-71	386266	2-67, 3-119	386423	2-43, 3-91
386081	2-51, 3-37, 3-51, 3-69	386267	2-2, 2-3, 2-41	386424	2-41
386088	2-59, 2-61, 3-45, 3-49, 3-61, 3-63, 3-79, 3-81	386268	3-61, 3-79	386425	2-41
		386269	3-61, 3-79	386429	2-39
386099	3-51	386274	3-53, 3-71	386432	3-105
386108	2-41	386275	3-63, 3-81	386433	2-13
386109	2-29, 2-41	386276	3-63, 3-81	386437	2-13
386116	2-39	386279	2-65	386444	2-41
386119	2-39	386282	3-67	386445	2-41
386120	2-11	386283	2-2, 2-3, 2-67, 3-119	386447	2-17
386124	2-11	386284	2-2, 2-3, 2-67, 3-119	386450	2-9
386127	2-69	386285	2-3, 2-67, 3-119	386458	2-23
386128	2-69	386286	2-3, 2-67, 3-119	386459	2-23
386129	2-15	386290	2-67, 3-119	386461	2-13
386130	2-103	386298	2-67, 3-117, 3-119	386462	3-105
386140	2-17	386299	2-67, 3-119	386480	2-9
386143	2-17	386302	2-71, 2-73	386482	3-105
386147	2-17	386307	3-27	386490	3-55, 3-57, 3-73, 3-75
386148	2-17	386308	3-27	386493	3-51, 3-69
386149	2-17	386311	2-15	386495	3-61
386150	2-17	386320	2-29	386496	3-63, 3-81
386152	2-17	386321	2-45	386500	3-67, 3-85
386153	3-19	386323	2-2, 2-3, 2-45	386503	3-67, 3-85
386154	2-17	386324	2-29	386504	3-67, 3-85
386157	2-9	386325	2-41	386507	3-61, 3-63, 3-79, 3-81
386159	2-9	386326	2-3	386510	3-67, 3-85
386160	2-29, 2-41	386330	2-41	386513	3-85
386162	2-29	386332	2-103	386514	2-3, 3-47, 3-67, 3-85
386163	3-105	386334	3-131	386518	3-47, 3-67, 3-85
386200	2-9	386335	3-129	386520	3-117
386201	2-13	386336	3-133	386558	2-23
386202	2-13	386338	3-139	386563	2-69, 2-79



# CROSS REFERENCE

Part Number	Page Number	Part Number	Page Number	Part Number	Page Number
386564	2-69, 2-79	386874	3-69	387151	3-25, 3-31
386573	3-131	386875	3-13	387157	3-5
386574	3-131	386876	3-37, 3-69	387158	3-9
386575	3-129, 3-131, 3-133	386905	3-23, 3-29	387159	3-89
386600	2-100	386909	3-25, 3-31	387160	3-89
386605	3-7	386910	3-23	387161	3-89
386606	3-9	386915	2-25	387162	3-37
386607	3-123	386920	2-79	387201	2-43
386608	3-113	386921	2-79	387208	3-9
386609	3-5	386922	2-79	387213	3-99
386610	2-75, 2-77	386923	2-9	387221	3-99
386632	3-125	386924	2-15	387225	3-89
386634	2-13	386928	2-17	387226	3-89
386642	3-13	386932	3-129	387230	3-37
386643	2-29	386934	3-131	387236	3-89
386652	3-89	386936	3-133	387237	2-67, 3-117, 3-119
386656	3-25, 3-31	386952	3-123	387245	3-37, 3-69
386657	3-25, 3-31	386953	3-123	387250	4-7
386658	3-25, 3-31	386954	3-123	387251	4-7
386659	3-25, 3-31	386958	3-15	387253	3-65, 3-67
386660	3-25, 3-31	386961	2-47	387254	3-83, 3-85
386661	3-23	386963	3-17	387256	2-3, 3-47, 3-67, 3-85
386662	3-29	386968	3-123	387257	2-67, 3-119
386663	3-23, 3-29	386973	2-13	387258	3-117
386664	3-23, 3-29	386974	2-17	387262	3-115
386666	3-23, 3-29	386975	2-17	387266	3-89
386668	3-29	386976	2-17	387271	3-79
386675	3-129	386983	3-13	387294	2-2, 2-49
386676	3-129	386984	3-13	387300	3-7
386679	2-49, 4-8	386985	2-47	387301	3-5
386687	2-49, 3-35, 4-10	386986	2-59, 2-61, 3-45, 3-47, 3-49, 3-61, 3-63, 3-79,	387302	2-100
386701	3-19		3-81	387321	3-111, 4-11
386702	3-19			387322	3-127
386703	3-19, 4-14	386987	2-59, 2-61, 3-45, 3-47, 3-49, 3-61, 3-63, 3-79,	387324	3-127
386704	3-19, 4-13		3-81	387328	3-127
386711	3-20			387340	3-87
386761	2-13	386988	2-47	387344	3-9
386785	2-41	386993	2-13	387346	2-23
386804	2-75, 2-77	386995	2-13	387348	2-13
386806	3-27	387000	3-125	387371	4-8
386807	2-71, 2-73	387003	3-103	387372	4-8
386808	2-15	387010	2-27	387373	4-8
386809	2-15	387014	2-2, 2-27	387374	4-8
386810	2-71, 2-73, 3-19, 3-27	387015	3-142	387380	2-39
386816	3-35	387021	2-11	387382	2-39
386825	2-2, 3-35	387023	2-2, 2-3	387392	2-21
386826	2-2, 3-35	387027	3-123	387393	3-19
386827	3-37, 3-69	387032	2-103	387405	3-27, 3-33
386833	2-2, 2-3, 3-117	387033	2-11	387422	3-113
386834	2-2, 2-3, 3-117	387035	2-23	387424	2-100
386835	3-117	387043	3-123	387425	2-39
386836	3-117	387045	3-89	387426	2-65
386841	3-53, 3-71	387049	3-105	387429	2-65
386842	3-53, 3-71	387050	3-113	387430	2-65
386844	3-51, 3-69	387061	2-29, 3-89	387431	3-117
386847	2-65, 3-117	387080	3-37, 3-69	387432	2-65
386860	2-67, 3-119	387097	2-47	387433	2-67, 3-117, 3-119
386861	3-117	387109	3-89	387435	3-117
386865	3-51, 3-69	387126	3-101	387436	3-117
386868	3-61, 3-63, 3-79, 3-81	387127	3-99	387438	2-67, 3-117, 3-119

# CROSS REFERENCE

Part Number	Page Number	Part Number	Page Number	Part Number	Page Number
387441	3-123	387656	2-25	40814	2-51, 3-37, 3-51, 3-69
387446	3-117	387659	2-23	41186	2-49, 3-35
387447	3-117	387660	2-2, 2-23	41187	2-23
387448	2-67, 3-119	387671	3-65	41305	3-61, 3-63, 3-79, 3-81
387450	2-11	387672	3-83	41315	3-55, 3-73
387451	2-11	387683	2-29	41341	3-25, 3-31
387452	3-19, 3-27	387685	2-41	41342	3-19, 3-27
387453	2-69	387700	2-21	41345	2-23
387457	3-143	387976	2-49	41359	2-75
387460	2-11	39005	2-25, 2-27, 2-51, 2-57, 2-65, 3-23, 3-25, 3-29, 3-31, 3-37, 3-43, 3-51, 3-59, 3-69, 3-77	41367	4-7
387467	3-91	390879	3-25	41368	4-7, 4-8
387483	3-101	390880	2-63	41371	4-7, 4-8
387494	3-144	391433	4-18	41401	3-27
387499	2-45	391451	2-29	41410	3-87
387500	2-67, 3-117, 3-119	391954	2-15	41421	2-43, 3-91
387506	2-3	39277	3-5, 3-7, 3-23, 3-29	41430	2-21, 3-13, 3-15, 3-27, 3-33
387509	3-47	39283	3-23, 3-29	41451	2-43, 3-91
387516	3-47	39284	2-21, 3-99, 3-101	41454	2-43, 3-91
387517	2-3, 3-47, 3-67, 3-85	39285	2-17	41579	2-5, 2-7, 3-105, 4-17
387525	2-103	39308	2-21, 2-57, 3-43, 3-59, 3-77	41619	2-47, 2-67, 3-117, 3-119
387529	2-79	39311	2-75, 2-77	41702	2-71, 2-73
387530	3-33	39312	2-21	42011	2-39
387531	3-27	39323	3-53, 3-71	42133A	2-29
387536	3-27	39338	2-17	43290	2-47
387545	2-3, 3-47	39348	2-75, 2-77	43454	3-95
387546	2-3, 3-47	39349	2-25, 2-71, 2-73, 3-5, 3-7, 3-19, 3-27, 3-123	43500	2-65
387560	3-33	39350	2-9	43555	2-31
387562	3-27	39717	2-21	43844	3-93, 3-105
387577	3-23	397916	2-7	43957	2-23
387585	2-49, 4-9	397920	2-5	44078	2-15
387587	4-9	397976	2-7	44681-1	3-5, 3-7
387588	4-9	39807	3-9	44681-2	3-5, 3-7
387589	4-9	398281	3-134	44681	3-5, 3-7
387590	4-9	398283	3-135	44961	2-53, 2-55, 3-39, 3-41
387592	4-9	398285	3-136	45272	3-5, 3-7
387593	2-41	398288	3-137	45283	3-5, 3-7
387597	4-13	398292	3-138	45391	3-9
387598	4-13	398468	2-31	45595	3-27
387599	4-13	398501	3-87	45628	4-14
387600	4-13	398511	4-5	46390	3-53, 3-71
387601	4-13	398512	4-5	46563	2-25
387602	4-13	398513	4-5	48589	3-141
387603	4-13	398514	4-5	48591	3-141
387604	4-13	398515	4-5	48609	3-107, 3-115
387605	4-13	398516	4-5	48610	2-55, 3-41, 3-57, 3-75, 3-111
387606	4-13	398517	4-5	48732	3-53, 3-71
387607	4-13	398518	4-5	48733	3-99, 3-101
387608	4-13	398519	4-5	48734	3-99, 3-101
387609	4-13	398520	2-45, 4-5	48753	4-6
387610	4-13	398526	2-80, 2-81, 3-9	48754	4-6
387615	2-41	398802	3-47	48755	4-6
387622	3-133	40566	2-53, 2-55, 3-39, 3-41, 3-55, 3-57, 3-73, 3-75	48756	4-6
387634	2-11	40607	2-45	48757	4-6
387636	2-69	40678-1	2-53, 2-55, 3-93	48758	4-6
387637	2-69			49142	3-39
387639	2-73			49177	2-19
387640	2-69			49263	2-49, 3-35
387641	2-77				
387648	2-73				
387654	2-9				

# CROSS REFERENCE

Part Number	Page Number	Part Number	Page Number	Part Number	Page Number
49266	2-19, 2-53, 2-55, 3-5, 3-9, 3-27, 3-33, 3-39, 3-41, 3-89, 3-113	578228000	3-109	65665	2-15
49694	3-37, 3-69	578276000	3-107	65667	4-11
49697	2-13	578318000	3-107	65668	4-11
49740	2-29	578439	3-109	65670	4-11
49745	2-29	578820000	3-107	65671	4-11
49800	2-13	578821000	3-109	65672	4-11
49826	2-11, 3-57, 3-75, 3-89	578856	4-17	65673	4-11
49914	3-25, 3-31	579112	3-109	65674	4-11
50388	2-17	57984	3-19	65675	4-11
51109	2-25	58494	2-57, 3-43, 3-59, 3-77	65676	4-11
51225	2-47	59009	2-25	65677	4-11
51338	2-27, 3-142	59661	3-63, 3-81	65678	4-11
51339	2-27	59940	2-17	66211	2-2, 2-27
51414	2-9	60189	4-7	66213	2-2, 2-3, 2-27
51528	3-25, 3-31	60198	2-23, 4-6	67004	3-89, 3-113, 3-115
51534	2-65	602036000	3-109	67683	3-19
51813	3-117	60278	2-100	67767	2-9, 2-57, 3-39, 3-41, 3-43, 3-59, 3-77
53268	2-31	603103000	2-79	69234	3-55, 3-57, 3-73, 3-75, 3-89
53466	2-33	60386	4-3, 4-5	69582	2-25
53782	2-65	60775	4-17	69785	2-29
54333	2-31, 2-33, 2-35, 2-37, 2-53, 2-55, 3-39, 3-41, 3-57, 3-75, 3-93, 3-111	61297	4-3, 4-5	70158	2-27
54390	2-27	61298	4-3	70161	2-27
54577	2-27	61300	4-3, 4-5	70709	3-19
54743	2-13	61301	4-3	70756	3-61, 3-79
55248	3-27, 3-33	613735	2-33	71026	2-71
55685	3-19	61791	2-23	71100	2-65, 3-117
56185	3-19	621478	3-53, 3-71	71101	2-2, 2-3, 2-65
56398	3-19	630164	3-93	71529	2-75
56690	3-19	63147	2-57, 3-59	71607	2-59, 2-61, 3-45, 3-49, 3-61, 3-63, 3-79, 3-81
56820	3-19	63184	3-111	71658	2-65
57248	2-37	63244-1	3-87	72164	3-9
57379	2-29	63244-2	3-39, 3-87	72171	3-9
57598	3-23, 3-29	63248-1	2-7	72172	3-9
578060000	3-109	63248-2	2-7	72174	3-9
578061000	3-109	63248-3	2-7	72439	3-61, 3-79
578063000	3-109	63248-4	2-7	72946	2-51, 3-37, 3-43, 3-51, 3-69
578064000	3-109	63416	2-29, 3-89	72950	3-39
578066000	3-109	63430	3-115	72968	2-49, 3-35, 3-113, 3-115
578071000	3-107	63448	3-115	73467	3-105
578072000	3-107	63451	3-115	73468	3-87
578074000	3-109	63740	2-77	73474	2-53, 2-55, 3-39, 3-55, 3-73
578077000	3-109	63810	2-53, 2-55, 3-39, 3-41, 3-87, 3-89	73475	3-87
578078000	3-109	63923	4-12	74114	4-15
578091000	3-109	63987-1	2-53, 2-55, 3-39, 3-41	74142	3-19
578094000	3-109	64425	2-59, 2-61, 2-65, 3-45, 3-49, 3-61, 3-63, 3-79, 3-81	74196	4-15
578123000	3-109	64489	3-25, 3-31	74231	4-15
578124000	3-109	64533	2-11	74232	4-15
578125000	3-109	64743	2-35, 2-37, 3-93	74243	4-15
578126000	3-109	64778	2-35, 2-37, 3-57, 3-75, 3-93	74244	4-15
578143000	3-109	65340	3-109	74245	4-15
578154000	3-109	65341	3-107	74440	2-17
578155000	3-109	65342	3-111	74455	2-21, 3-99, 3-101
578160000	3-107	65580	3-113, 3-115	75611	2-29, 2-43, 3-87
578161000	3-109	65581	3-111	75635	3-99, 3-101
578164000	3-109	65582	3-109		
578214000	3-109	65610	3-109		

## CROSS REFERENCE

Part Number	Page Number	Part Number	Page Number
75939	3-27	86860	2-25, 3-23, 3-29
76062	2-71, 2-73	86866	2-59, 2-61, 3-45, 3-47, 3-49
763504	4-14	87172	3-23, 3-29
763508	4-14	87173	3-93
76570	2-11, 2-17, 3-93	87244	3-67, 3-85
76653	2-59, 2-61, 3-45, 3-49	87346	2-9
77227	2-63	87349	2-71, 2-73
77228	2-63	87355	2-23
77270	3-43, 3-77	87419	2-5, 2-7
77272	2-63	87482	2-71
77275	3-51, 3-69	87483	2-71, 2-75
77276	3-51, 3-69	87507	2-71
77277	3-51, 3-69	87709	3-5, 3-7
77334	3-39, 3-41	87725	2-21
77347	2-29, 2-41	87750	2-23
77488	2-65	87816	2-59, 2-61, 3-45, 3-49, 3-61, 3-63, 3-79, 3-81
78122	3-111	87839	2-23
78398	3-57, 3-75, 3-87	87840	2-23
78553	2-15	87841	2-23
78740	2-29	87849	2-23
78842	2-29	87948	2-9
78950	4-11, 4-18	87949	2-9
78951	4-11, 4-18	9001397	3-120
78952	4-18	9001398	3-121
78979	2-63	9002022	2-37
79217	2-63	9003008	4-19
79273-1	2-35, 2-37, 3-93, 3-111	9003009	4-19
79273-2	2-29, 3-87	9006118	2-37, 4-19
79273-4	2-53, 2-55, 3-39, 3-57, 3-75	9006119	4-19
79320	2-2, 2-3, 2-43, 3-91	9006159	4-17
79350	2-39	9006210	3-93
79497	3-87	9006257	3-144
79572	3-57, 3-75	9006268	4-17
80127	3-23, 3-29	9006270	4-17
80491	2-59, 2-61, 3-45, 3-49	9006325	4-17
81751	3-23		
81767	3-29		
81771	3-71		
81818	3-53		
81919	3-23, 3-29		
81952	2-63		
82829	2-13, 3-93		
82839	2-21		
83052	3-53, 3-71		
83733	2-27		
83874	2-67, 3-117, 3-119		
84028	2-53, 2-55, 3-39, 3-41, 3-55, 3-57, 3-73, 3-75		
84057	3-111		
84593	2-63		
86375	2-71		
86393	2-75		
86508	3-87		
86636	2-29, 3-105		
86759	2-59, 2-61, 3-45, 3-47, 3-49, 3-61, 3-63, 3-79, 3-81		
86767	3-115		
86824	3-39		

## PART DESCRIPTION TO PAGE NUMBER CROSS REFERENCE LIST

**A**

- Actuator, 36vdc, 01.8stroke 300lb, 3-25, 3-31  
 Actuator, 36vdc, 02.1stroke 500lb, 2-65  
 Actuator, 36vdc, 02.7stroke 500lb, 2-57, 3-59  
 Actuator, 36vdc, 7.0stroke, 700lb, 2-47  
 Adapter, Brush, 3-23, 3-29  
 Adaptor, Brush, 2-5, 2-7  
 Adaptor, 3-109  
 Alarm Assy, Backup, 12-48vdc 82-102dba, 3-9  
 Alarm, 9-48vdc, 95 Db(A) [Ec-H20], 3-93  
 Alarm, Warning, 10-48vdc, 2-15  
 Angle, 1.00 0.75 .12t 00.8l Hr, 3-45  
 Angle, Battery, R/O, 3-123  
 Angle, Mtg, Es, 3-87, 3-111  
 Angle, Mtg, Pump, Detergent, 3-105  
 Angle, Wand, Clean-Out, 3-89  
 Angle, 3-55, 3-57, 3-65, 3-67, 3-73, 3-75, 3-83, 3-85  
 Arm Wldt, Front, Lh, 3-63, 3-81  
 Arm Wldt, Front, Rh, 3-61, 3-79  
 Arm Wldt, Lift, Scrub Head, [7300], 2-47  
 Arm Wldt, Pivot, Side, [7300/8300], 3-43, 3-59, 3-77  
 Arm Wldt, Pivot, Side, 2-57  
 Arm Wldt, Rear, Lh, 3-63, 3-81  
 Arm Wldt, Rear, Rh, 3-61, 3-79  
 Arm Wldt, 2-65  
 Arm, Cntrl, Throttle, Electronic, 2-21  
 Arm, Latch, 3-61, 3-63, 3-79, 3-81  
 Arm, Mtg, Side Sqge Frame, Ele, 2-59, 2-61, 3-45, 3-49  
 Armature Assy, Complt, 4-7  
 Armature, 4-3, 4-5  
 Assy, Rod-End, .50, 4-17  
 Axle, Wand, 3-109
- Bearing, Ball, 0.79b 1.85d 0.55w, 3-53, 3-71  
 Bearing, Cone, 1.38b 0.71w, 2-27  
 Bearing, Cup, 2.56D 0.55W, 3-142  
 Bearing, Cup, 2.56d 0.55w, 2-27  
 Bearing, Flange, 2-17  
 Bearing, Needle, 0.25b 0.88d 0.50w, 3-123  
 Bearing, Thrust, 0.66b 1.25d 0.06w, 2-63, 2-65, 3-25, 3-31  
 Bearing, Thrust, 0.75b 1.25d 0.06w, 2-65  
 Bearing, Thrust, 2-25, 3-23, 3-29, 4-14  
 Bearing, 2-23, 4-3, 4-5, 4-6, 4-7, 4-8, 4-9, 4-10  
 Bellcrank, Head Lift, 2-47  
 Belt, Drive (Cylindrical Brush), 2-2, 3-53, 3-71  
 Belt, Drive, 2-3  
 Blade Assy, Sqge, Side, 2-3, 3-47  
 Blade Kit, Sqge, Ure, [Mp1000], 3-120  
 Blade Kit, Sqge, Ure, [Mp1200], 3-121  
 Blade, Sqge, Front 48.0l, 2-2, 2-3, 3-117  
 Blade, Sqge, Front, Mp1000, Tile, 2-67, 3-119  
 Blade, Sqge, Front, Mp1200, Tile, 3-117  
 Blade, Sqge, Front, 2-2, 2-3, 2-67, 3-119, 3-120, 3-121  
 Blade, Sqge, Rear 48.0l, 2-2, 2-3, 3-117  
 Blade, Sqge, Rear, 2-2, 2-3, 2-67, 3-119, 3-120, 3-121  
 Blade, Squeegee, 2-3, 3-47, 3-109  
 Block, Adj, 3-25, 3-31  
 Bolt, Eye, M10x1.5 X 2.0 X .28 Eye, 2-65, 3-117  
 Bolt, Eye, M8 X 1.25, 2.75l, 2-59, 2-61, 3-45, 3-49, 3-61, 3-63, 3-79, 3-81  
 Bolt, Shld, .38DX0.38, .31-18, 3-123  
 Bolt, 2-23  
 Boot, 90deg .50d .57d X .84, 2-23  
 Boot, Circuitbreaker, 3-93  
 Boot, Protector, Circuitbreaker, 2-69  
 Box, Accelerator, 2-21  
 Box, Circuitboard, 2-79  
 Bracket Wldt [7300/8300 FaST], 2-33  
 Bracket Wldt [7300/8300-FaST], 2-33  
 Bracket Wldt [7300/8300 Fast li+], 2-37  
 Bracket Wldt, Module, 3-93  
 Bracket Wldt, Mtg, Fan, 2-45  
 Bracket Wldt, Mtg, Spring, 2-59, 3-45  
 Bracket Wldt, Pivot, 2-63  
 Bracket Wldt, Steering, Tilt, 2-17, 3-19  
 Bracket Wldt, Tank, 2-41  
 Bracket Wldt, 2-39  
 Bracket, Adaptor, Mtg, Kick In, Frame, 3-37, 3-69  
 Bracket, Cable Cntrl, 2-39  
 Bracket, Cntrl, Water, 2-39  
 Bracket, Component, 3-93  
 Bracket, Fan End, 4-3, 4-5  
 Bracket, Full, 2-29, 3-89  
 Bracket, Guard, 2-39  
 Bracket, Hsng, Brush, 3-27, 3-33
- Bracket, Latch, Cover, 2-11  
 Bracket, Motor, Mtg, 3-23, 3-29  
 Bracket, Mtg [Fast li+], 2-37  
 Bracket, Mtg, Circuitbreaker, [Hi-Mag], 2-11  
 Bracket, Mtg, Controller, Sgl, 2-73  
 Bracket, Mtg, Es, 3-87  
 Bracket, Mtg, Pump, Detgt [7300/8300], 2-33  
 Bracket, Mtg, Relay, 2-73  
 Bracket, Mtg, Tank, 2-29, 2-41  
 Bracket, Mtg, Valve, Solenoid, 2-31  
 Bracket, Mtg, 3-5, 3-9, 3-109  
 Bracket, Panel, 2-23  
 Bracket, Pivot, 3-25, 3-31  
 Bracket, Power Wand, 3-111  
 Bracket, Protector, Float Switch, 2-41, 3-89  
 Bracket, Retainer, Filter, 2-41  
 Bracket, Retainer, Spring, 2-5, 2-7  
 Bracket, Retaining, Filter, 2-41  
 Bracket, Retaining, Tank, Detgt, 3-105  
 Bracket, Retaining, 2-41  
 Bracket, Sppt, Auto Fill, 3-87  
 Bracket, Sppt, Tilt, 2-41  
 Bracket, Spray Bar, 40" [7300/8300], 3-57  
 Bracket, Spray Bar, 48" [7300/8300], 3-75  
 Bracket, Stop, Frame, 2-49, 3-35  
 Bracket, Tube, Tee, 3-47, 3-67, 3-85  
 Bracket, Valve, Large, 4-17  
 Bracket, 2-13, 3-25, 3-31, 3-37, 3-109  
 Brake Assy, 2-27  
 Brake Repair Kit, 2-27  
 Brake Shoes, 2-2, 2-27  
 Brush, 4-9  
 Brush Assy, Disk, Scb, 16.0 D, Pyp, 2-7  
 Brush Assy, Disk, Scb, 16.0D, Nylon, 2-7  
 Brush Assy, Disk, Scb, 16.0D, Super Abrasive, 2-7  
 Brush Assy, Disk, Scb, 20.0 D, Nyl, 2-5  
 Brush Assy, Disk, Scb, 20.0 D, Pyp, 2-5  
 Brush Assy, Disk, Scb, 20.0 D, Super Abr, 2-5  
 Brush Holder Assy, 4-8  
 Brush kit, propelling motor, 4-6  
 Brush Kit, 4-8, 4-10  
 Brush Mechanism, 4-5  
 Brush mechanism, 4-3  
 Brush, Block, Scrub, Ab, 3-109  
 Brush, Block, Scrub, Poly, 3-109  
 Brush, Board, Assy, 4-9  
 Brush, box & plate assy, 4-6  
 Brush, Carbon, 3-53, 3-71  
 Brush, Disk, Swp, 19.0D, Pyp (Option), 2-5, 2-7  
 Brush, Scrub, 39l, 20sr, Nyl, Spl, 2-5  
 Brush, Scrub, 39l, 20sr, Pyp, Spl, 2-5  
 Brush, Scrub, 39l, 20sr, Super Abr, Spl, 2-5  
 Brush, Scrub, 47l, 20sr, Nyl, Spl, 2-7  
 Brush, Scrub, 47l, 20sr, Pyp, Spl, 2-7  
 Brush, Scrub, 47l, 20sr, Super Abr, Spl, 2-7  
 Brush/rectifier Assy, 4-11

## CROSS REFERENCE

Brush, 4-6, 4-7  
Brushholder, Motor, Ele, 3-23, 3-29  
Bumper Wldt, 2-9, 3-27  
Bumper, Neo, 1.5d .63h .31h, 2-51, 2-63, 3-117  
Bumper, Poly-E, 2-67, 3-117, 3-119  
Bumper, Posi Drain, Recvy Side, 3-99, 3-101  
Bumper, Pye, 2-49, 3-35, 3-51, 3-69  
Bumper, Rbr, 1.19d .72l, 2-47  
Bumper, Rbr, 2.0d 0.75t .38-16, 3-61, 3-79  
Bumper, Rear, Lh, 3-11  
Bumper, Rear, Rh, 3-11  
Bumper, Side, Scb Head, Wide, 3-37, 3-69  
Bumper, Sqge, 2-67, 3-117, 3-119  
Bumper, 3-51, 3-69  
Busbar, .06 0.6w 2.5l 2/.28h, 2-71, 2-75  
Busbar, Fuse, .6 0.6w 0.8h 2.0l, 2-71  
Bushing Assy, Flng, 2 Hole, 0.50b, 3-19  
Bushing, Flng, 0.50b 0.59d 0.38l, 2-47, 3-25, 3-31  
Bushing, Flng, 0.63b 0.72d 0.25l, 2-39, 2-47, 2-57, 3-43, 3-59, 3-77  
Bushing, Flng, 0.63b 0.75d 0.38l, 2-59, 2-61, 3-45, 3-49, 3-61, 3-63, 3-79, 3-81  
Bushing, Flng, 0.71b 0.79d 0.47l, 2-17  
Bushing, Flng, 0.75b 1.00d 1.00l, Nyl, 2-17  
Bushing, Flng, 1.00b 1.13d 0.38l, 2-27  
Bushing, Light, Led, 3-95  
Bushing, Sleeve, 0.37b 0.50d 0.50l, 2-25  
Bushing, Sleeve, 0.38b 0.63d 0.57l, Stl, 2-17  
Bushing, Sleeve, 0.63b 0.72d 0.38l, 2-59, 2-61, 3-45, 3-49, 3-61, 3-63, 3-79, 3-81  
Bushing, Taper Lock, 3-19  
Button, Plug, 1.1 X 1.1h, Black, Plstc, 2-15

## C

Cable Assy, 2-11  
Cable, .12d, 13.3l, .2clevis/.2clevis, 2-2, 2-3, 2-65  
Cable, .13d, 10.0l, .51eye /.51eye, 3-23, 3-29  
Cable, .13d, 15.5l, .50eye /.50eye, 2-57, 3-43, 3-59, 3-77  
Cable, Pull, 2-25  
Cable, Push Pull, 2-39  
Cable, Ribbon, 34 Conductor, 2-15  
Cable, Safety, Battery, 3-123  
Cam, Front, 3-53, 3-71  
Cam, Rear, 2-67, 3-53, 3-71, 3-117, 3-119  
Cam/bearing\Diaphram Kit, 4-11  
Cam, 2-67, 3-117, 3-119  
Cap Assy, 3-99  
Cap Screw, 4-14  
Cap, Brush, Motor, Ele, 3-23, 3-29  
Cap, Dust, 3-99, 3-101  
Cap, End, 4-14, 4-15  
Cap, Hub 2.567 Hole, 2-27

Cap, Neoprene Black, 2-65, 3-39  
Cap, Plastic, 2-29  
Cap, Tank, Drain, 2.25 Thread Pye, 2-43, 3-91  
Cap, Tank, Drain, 3.85 Thread Pye, 2-43, 3-91  
Cap, Tank, Drain, 6.17 Thread Pye, 2-29, 3-99, 3-101  
Cap, Tank, 2-43, 3-91, 3-105  
Cap, Tube, 3-19  
Cap, Vyl, .234id .750l .04, 2-13  
Capacitor, Plug [.01 Uf, 200v], 3-95  
Caster Kit, Sqge, Replmt, 2-63  
Chain, Coil, Str, #210, .09.0l 07 Link, 2-65  
Chain, Roller, #40 X 109 Pitches, 3-19  
Chain, Roller, #40 X 130 Pitches, 2-17  
Chain, Sash, #35, .07.2l 13 Link, 3-99, 3-101  
Channel Wldt, Steering, 2-9  
Channel Wldt, 2-63, 2-67, 3-117, 3-119  
Channel, Battery, R/O, 3-123  
Channel, Harness, 2-41  
Channel, Spring, 2-65  
Channel, Stop, Lh, 3-117  
Channel, Stop, Rh, 3-117  
Channel, 2-29, 2-41, 3-25, 3-31  
Charger, 36V/120A 60H/1Ph 480V, 3-136  
Charger, 36V/120A 60H/3Ph 480V, 3-137  
Charger, 36V/150A 60Hz, 3-138  
Charger, 36V/75A 60Hz/1Ph, 3-134  
Charger, 36V/75A 60Hz/3Ph, 3-135  
Charger, 36V/93A 60Hz, 1Ph, Sealed, 3-139  
Charger, 36V/93A 60Hz, 3Ph, Sealed, 3-140  
Check valve assy, 4-11  
Chrome Pltd Cam Shaft, 2-27  
Circuitboard, Assy, [7300/8300], 2-79  
Circuitboard, Pedal, 2-21  
Circuitboard, Sweeper, [8300], 3-27  
Circuitbreaker, 10.0a, 2-69, 2-80  
Circuitbreaker, 15.0a (Power Wand / Side Sweep Option), 2-69  
Circuitbreaker, 15.0a, 2-69, 3-27  
Circuitbreaker, 20.0a, 2-69  
Circuitbreaker, 25.0a, 2-69  
Circuitbreaker, 30.0a, 2-69  
Circuitbreaker, 40.0a (Power Steering Option), 2-69  
Circuitbreaker, 50.0a (Center Brush Option), 2-69  
Circuitbreaker, 05.0A, Resetable, 2-81  
Circuitbreaker, 15.0 A, 3-5, 3-7  
Circuitbreaker, 2.0a, Resetable, 3-93  
Circuitbreaker, 40a, (Max Prot 1000 Disk W/Std Motor), 2-69  
Circuitbreaker, 40a, (Max Prot 1200 Disk), 2-69  
Circuitbreaker, 45a, (Max Prot 1000 Cylindrical), 2-69  
Circuitbreaker, 45a, (Max Prot 1000 Disk W/Hd Motor), 2-69

Circuitbreaker, 45a, (Max Prot 1200 Cylindrical), 2-69  
Circuitbreaker, 50.0a, 2-69  
Clamp Wldt, Front 48.0l, 3-117  
Clamp Wldt, Front, 2-3, 2-67, 3-119  
Clamp Wldt, Rear 48.0l, 3-117  
Clamp Wldt, Rear, 2-3, 2-67, 3-119  
Clamp, Cable, Stl, 0.38d X 0.38w, 1h, 3-5, 3-9  
Clamp, Cable, Stl, 0.56d X 0.38w, 1h, 2-47  
Clamp, Cable, Stl, 0.63d X 0.75w, 1h, 2-13  
Clamp, Cable, Stl, 0.63d X 0.75w, 1hole, 3-93  
Clamp, Cable, Stl, 0.69d X 0.62w, 1h, 2-9, 2-57, 3-39, 3-41, 3-43, 3-59, 3-77  
Clamp, Cable, Stl, 0.75d X 0.75w, 1h, 3-57, 3-75  
Clamp, Cable, Stl, 0.88d X 0.62w, 1h, 2-53, 2-55  
Clamp, Cable, Stl, 0.88d X 0.62w, 1hole, 3-93  
Clamp, Cable, Stl, 1.00d X 0.62w, 1h, 3-55, 3-57, 3-73, 3-75, 3-89  
Clamp, Cable, Stl, 1.50d X 1.00w, 1h, 2-33  
Clamp, Hose .40 - .42 2 Wire, 2-33  
Clamp, Hose, Plstc, 1.60d X 0.62w, 2-43, 3-91  
Clamp, Hose, Wir, .52 - .56, Yel, 4-17  
Clamp, Hose, Wir, .63 - .66, Blk, 4-17  
Clamp, Hose, Wormdrive, 0.25-0.62d, .31w, 3-93  
Clamp, Hose, Wormdrive, 0.25-0.62d, 3-105  
Clamp, Hose, Wormdrive, 0.31-0.88d, .31w, 2-37, 2-53, 3-93  
Clamp, Hose, Wormdrive, 0.31-0.88d, 2-31, 2-33, 2-35, 2-55, 3-39, 3-41, 3-57, 3-75, 3-111  
Clamp, Hose, Wormdrive, 0.50-1.06d, 3-39  
Clamp, Hose, Wormdrive, 0.56-1.06d, .56w, 2-53, 2-55, 3-39, 3-41, 3-89  
Clamp, Hose, Wormdrive, 0.56-1.06d, 3-87  
Clamp, Hose, Wormdrive, 0.81-1.50d, 2-3, 2-29, 2-53, 3-47, 3-55, 3-57, 3-67, 3-73, 3-75, 3-85  
Clamp, Hose, Wormdrive, 1.56-2.50d, 2-45  
Clamp, Hose, Wormdrive, 1.62-3.50d, 2-31  
Clamp, Hose, Wormdrive, 1.81-2.75d, 3-67, 3-85  
Clamp, Hose, Wormdrive, 2.50-3.50d, .50w, 3-93  
Clamp, Hose, 3-107, 3-109  
Clamp, Ribbon Cable, Hold-Down, 2-15  
Clamp, Ribbon Cable, 2-15  
Clamp, 4-3  
Clevis, Adj, 0.19pin, #10-32, 2-39  
Clevis, Adj, 0.38pin, 0.31-24, Lh, Pl, 2-27  
Clevis, Adj, 0.38pin, 0.31-24, Pl, 2-27  
Clip, Finger Grip, 3-89, 3-113, 3-115

Clip, Motor, Ele, 3-23, 3-29  
 Clip, Spring, Prop Arm, 3-67, 3-85  
 Clip, Sprocket, 2-23  
 Collar Wldt, 3-53, 3-71  
 Column Wldt, Steering, 2-17  
 Column, Steering (Replaced by 387653), 3-19  
 Column, Steering, #14.0L .81D 36Tooth, 3-19  
 Comm. Bracket, 4-5  
 Comm. bracket, 4-3  
 Connector assy, 4-11  
 Connector Body, 4-8, 4-9, 4-10  
 Connector Kit, Tubing, 4-12  
 Connector, 2 Conductor, 4-3, 4-5  
 Connector, 2-Conductor, 4-7  
 Connector, 350a, Gray [Anderson], 3-129  
 Connector, Andersn 350A, Gray, 3-136, 3-137  
 Connector, Anderson, 350A, Gray, 3-127, 3-131, 3-133, 3-134, 3-135, 3-138, 3-139, 3-140  
 Connector, Fem, 2cav, Mp280 Sealed, 4-18  
 Contact, Switch, 2-15  
 Contactor, 36vdc, [Spno], 2-71  
 Contactor, 36vdc, 100a, Spst, 2-73  
 Contactor, 36vdc, 200a, Dpdt, 2-73  
 Contactor, 36vdc, 200a, Spst, 2-73  
 Contactor, 36vdc, Spdt, 2-71  
 Contactor, 36vdc, 2-71, 3-19  
 Controller Kit, Replmt [Ec-H2o], 4-17  
 Controller, Motor, 36vdc, 1204, 2-71, 2-73  
 Coupling Body, Qf, Pm08, 2-35  
 Coupling Insert, Qm, Bm08, 2-35  
 Coupling, Fem, W/ Valve, .25 Brb, 2-33  
 Coupling, Flexible, 4-13  
 Coupling, Mal, .25 Npt, 2-33  
 Cover Wldt, 2-13  
 Cover, Controlbox, 2-69  
 Cover, Drive, 3-53, 3-71  
 Cover, Front, 2-11  
 Cover, Idler, 3-53, 3-71  
 Cover, Insert, 2-43, 3-91  
 Cover, Rear, 2-13  
 Cover, Reservoir, 4-13  
 Cover, Tank, Solution, 2-29  
 Cover, Tank, Top, 2-13  
 Cover, Tank, 2-29, 3-105  
 Cover, 2-79  
 Cradle Wldt, Battery, 3-125  
 Crank Replacement Kit, 4-12  
 Cuff, Swivel, 3-107

**D**

Detergent Pkg, 2 Liter, Sgl, 365, 2-33  
 Detergent Pkg, 2 Liter, Sgl, 665, 2-33  
 Detergent Pkg, 4 Liter, Sgl [Tco 665], 2-33  
 Device, Centering, 2-5, 2-7  
 Diaphragm kit, 4-11  
 Diode, Ele, Plug, 2-15, 2-73, 2-101, 2-102, 3-95

Disc, 4-3  
 Disk, Pad Drive, W/ Face, 20d, 2-5  
 Disk, Pad Driver, W/Face, 16D, 2-7  
 Drive, Main, 4-14  
 Drive, Valve, Strg, 4-15  
 Driver Assy, Pad, 16D, 2-7  
 Driver Assy, Pad, 20.0D, 2-5  
 Drum, Cable, Lift, 2-65  
 Duct, Vyl, 0.40 X 0.75 .25d 23.0l, 3-7  
 Duct, Vyl, 0.40 X 0.75 .25d 48.0l, 3-7

**E**

Ec-H2o Kit, Module C, Plumbing, 4-17  
 Electrode, 5 Plate, High Flow, 4-17  
 Electrode, Cylindrical, 4-17  
 Element, Filtr, 4-13  
 Extinguisher, Fire, 3-143

**F**

Fan Assy, Vacuum (See Breakdown) (Replaced by 398520), 2-45  
 Fan Assy, Vacuum (See Breakdown), 2-45  
 Fan vacuum, 36v, 4-3  
 Fan, rotating, 4-3  
 Fan, stationary, 4-3  
 Fan, Vacuum, 5.7D, 036Vdc, 3 Stage, 2-45  
 Fan, Vacuum, 4-5  
 Fan, 4-3, 4-5  
 Fast 665 4 Ltr, Detergent, 2-37  
 Fast 965 4 Ltr, Detergent, 2-37  
 FaST Kit, Ci [Inj Reblnd, 7300/8300], 4-19  
 Fast Kit, Ci, Injector Filters[Fast li+], 4-19  
 Fast Kit, Ci, Injector Seals [Fast li+], 4-19  
 Fast Kit, Injector, Ci [7300/8300] (See Breakdowns), 2-37  
 FaST Kit, Injector, Ci [7300/8300], 4-19  
 Filter Assy, Air, Molded Ure, 2-33  
 Filter, Fan, 2-3  
 Filter, Foam, 2-35  
 Filter, In-Line, Pf06/Pf06 080mesh 02.6l, 2-37, 3-93  
 Filter, Inline, Pf06/Pf06, 80 Mesh, 2-35  
 Filter, Panl, Dust, 2.0 X 06.1 X 07.6, 2-2, 2-3, 2-41  
 Filter, Soltn, 20mesh, Pf16 3.1d 02.3l, 2-29  
 Fitting 1/8mx1/4h Barb Brs, 2-33  
 Fitting Assy, Cap, 0.067b, Pf04, 2-31  
 Fitting Assy, Cap, 0.086b, Pf04, 2-31  
 Fitting Assy, Qdc, Pf04, 3-93  
 Fitting, Brs, E90, Cf03/Pf02, 2-33  
 Fitting, Brs, E90, Pm04/Bm08, 2-31  
 Fitting, Brs, Qdc, Bm12/Qf08, 3-87  
 Fitting, Brs, Qdc, Pm04/Qf06, 3-111  
 Fitting, Brs, Str, Pf04/Pf04 Bkhd, 3-111  
 Fitting, Brs, Str, Bm06/Pf02, Spcl, 3-93  
 Fitting, Brs, Str, Bm06/Pf04, 3-93  
 Fitting, Brs, Str, Pf02/Pm06, 3-93  
 Fitting, Brs, Str, Pm02/Bm03, 2-45  
 Fitting, Brs, Str, Pm02/Pm02, 4-17

Fitting, Brs, Str, Pm04/Pm04, 2-31  
 Fitting, Brs, Str, Pm04/Pm06, 2-31  
 Fitting, Brs, Tee, Pf04/Pf04/Pm04, 2-31  
 Fitting, Brs, Tee, Pf04/Pm04/Pf04, 2-31  
 Fitting, Brs, Tee, Pf02/Pf02/Pm02, Run, 3-93  
 Fitting, Brs, Tee, Pm04/Pf04/Pf04, Run, 2-37  
 Fitting, Coupler, Hose, Shank, Fem, 3-99, 3-101  
 Fitting, Elbow, 3-109  
 Fitting, Grease, E90 Pm04 .75L, 3-37, 3-51, 3-69  
 Fitting, Grease, 2-23  
 Fitting, Hose, Barbed, .25npt Mal, 3-109  
 Fitting, Hyd, E90, Jm06/Om06, 3-19  
 Fitting, Hyd, Str, Jm04/Om10, 3-19  
 Fitting, Hyd, Str, Jm06/Om06, 3-19  
 Fitting, Hyd, Tee, Jm06/Om06/Jm06, 3-19  
 Fitting, Nyl, Qdc, E90, Bm06/ Qm10, 2-37  
 Fitting, Nyl, Qdc, E90, Bm08/ Qm10, 2-37  
 Fitting, Plstc, [90 Bm03/Pm02], 2-41  
 Fitting, Plstc, Bkhd, Pf12/Pf12, 2-43  
 Fitting, Plstc, Bkhd, Pf16/Pf16, 2-29  
 Fitting, Plstc, Cap, Pf04, 2-33  
 Fitting, Plstc, Cap, Pf08, 2-53, 2-55, 3-39  
 Fitting, Plstc, E45, Pf12/Pf12, 3-87  
 Fitting, Plstc, E90, 06bm/06bm, 3-105  
 Fitting, Plstc, E90, 16bm/16pm, 2-29  
 Fitting, Plstc, E90, Bm04/Pm04 Nyl, 2-33  
 Fitting, Plstc, E90, Bm05/Pm02, Nyl, 4-17  
 Fitting, Plstc, E90, Bm06/Pm04, Nyl, 2-37  
 Fitting, Plstc, E90, Bm08/Bm08, 2-53, 2-55, 3-39, 3-41  
 Fitting, Plstc, E90, Bm08/Pm04 Nyl, 2-31  
 Fitting, Plstc, E90, Bm08/Pm04, 3-111  
 Fitting, Plstc, E90, Bm08/Pm06, 2-35, 2-37, 3-57, 3-75, 3-93  
 Fitting, Plstc, E90, Bm08/Pm08, 3-87  
 Fitting, Plstc, E90, Bm08/Pm12, Nyl, 2-35  
 Fitting, Plstc, E90, Bm10/Pm12, 3-87  
 Fitting, Plstc, E90, Bm12/Bm12, 2-53, 2-55, 3-39, 3-41, 3-55, 3-57, 3-73, 3-75  
 Fitting, Plstc, E90, Bm12/Pf12, 3-89  
 Fitting, Plstc, E90, Bm12/Pm08, 3-39, 3-87  
 Fitting, Plstc, E90, Bm12/Pm12, 3-87, 3-89  
 Fitting, Plstc, E90, Pf08/Pf08, 3-57, 3-75  
 Fitting, Plstc, E90, Pm12/Pf12, 2-29  
 Fitting, Plstc, Pipe, Cap, Pf04, 2-37  
 Fitting, Plstc, Plug, Pm12, 2-29, 2-43, 3-87  
 Fitting, Plstc, Plug, Pm16, 2-29  
 Fitting, Plstc, Rst, .50od/.31id, 3-39, 3-41  
 Fitting, Plstc, Str, 08pmtxgarden, 3-89  
 Fitting, Plstc, Str, Bm04, Cplg, Fem, 2-37  
 Fitting, Plstc, Str, Bm04/Bm08, 2-33, 3-93  
 Fitting, Plstc, Str, Bm05/Pm04, 3-93  
 Fitting, Plstc, Str, Bm06/Bm06, 3-105  
 Fitting, Plstc, Str, Bm06/Pm02, Nyl, 3-93, 4-17  
 Fitting, Plstc, Str, Bm06/Pm04, 2-37  
 Fitting, Plstc, Str, Bm06/Pm12, 3-105

## CROSS REFERENCE

Fitting, Plstc, Str, Bm08/Bm08, 2-53, 2-55, 3-39, 3-41  
Fitting, Plstc, Str, Bm08/Pm04 (ec-H2O), 3-41, 3-57, 3-75  
Fitting, Plstc, Str, Bm08/Pm04 (FaST), 2-55  
Fitting, Plstc, Str, Bm08/Pm04, 3-111  
Fitting, Plstc, Str, Bm08/Pm06, 2-35, 2-37, 3-93  
Fitting, Plstc, Str, Bm08/Pm08, 2-53, 2-55, 3-39, 3-57, 3-75  
Fitting, Plstc, Str, Bm08/Pm12, 2-35, 2-37, 3-93, 3-111  
Fitting, Plstc, Str, Bm10/Bm10, 2-53, 2-55  
Fitting, Plstc, Str, Bm12/Pm08, Nyl, 3-57, 3-75  
Fitting, Plstc, Str, Bm12/Pm08, 3-87  
Fitting, Plstc, Str, Bm12/Pm12, 2-29, 3-87  
Fitting, Plstc, Str, Bm24/Bm32, 3-107, 3-115  
Fitting, Plstc, Str, Pm04, Cplg, Mal, 2-37  
Fitting, Plstc, Str, Pm08/Pm08, 3-87  
Fitting, Plstc, Str, Pm12/Bm16, 2-29  
Fitting, Plstc, Str, Pm12/Pm12, 2-29, 3-87  
Fitting, Plstc, Str, Pm16/Pm16 Close, 2-29  
Fitting, Plstc, Tee, Bm04/Bm04/Bm04, 2-37  
Fitting, Plstc, Tee, Bm05/Bm05/Pm04, 3-93  
Fitting, Plstc, Tee, Bm06/Bm06/Bm06, 3-93  
Fitting, Plstc, Tee, Bm08/Pm04/Bm08 Nyl, 2-31, 2-33  
Fitting, Plstc, Tee, Bm10/Bm10/Bm10, 2-53  
Fitting, Plstc, Tee, Bm12/Bm12/Bm12, 3-55, 3-73  
Fitting, Plstc, Tee, Bm16/Pf12/Bm16, 2-29  
Fitting, Plstc, Tee, Pf08/Pf08/Pf08, 3-87  
Fitting, Plstc, Tee, Pf12/Pf12/Pf12, 2-29  
Fitting, Plstc, Y, Bm06/Bm06/Bm06, Nyl, 3-93  
Fitting, Plstc, Y, Bm08/Bm08/Bm08 Nyl, 3-57, 3-75  
Fitting, Plstc, Y, Bm08/Bm08/Bm08, Nyl, 2-37  
Fitting, Qm, Male, 3-87  
Fitting, Quick Disconnect, 3-107  
Flange, 4-14  
Flasher, 12/48vdc 5a #6309/12-48vdc, 3-9  
Frame Assy, Sqge, Side, Vacuum, Rh, 3-47  
Frame Wldt, Scb Head, 2-Brush, Ele, 2-49  
Frame Wldt, Scb Head, 3-Brush, Ele, 3-35  
Frame Wldt, Sqge 48.0l, 3-117  
Frame Wldt, Sqge, Side, Lh, 2-61, 3-49, 3-63, 3-81  
Frame Wldt, Sqge, Side, Rh, 2-59, 3-45, 3-61, 3-79  
Frame Wldt, Sqge, 2-67, 3-119  
Frame, 2-9  
Fuse, .20A, 3Ag, Slo-Blo, 2-79

Fuse, 010A 032Vdc 0.25D, 3-27  
Fuse, 150amp, 2-71, 2-73

## G

Gasket, .19, 2.00Id 5.38OD [BUNA], 3-99, 3-101  
Gasket, .19, 4.05id 5.29od [Buna], 2-29, 2-43, 3-91, 3-105  
Gasket, Cap, Drain, 2-2, 2-3, 2-43, 3-91  
Gasket, Cap, Dust, 3-99, 3-101  
Gasket, Cap, 2-43, 3-91  
Gasket, Cover, Controller, 2-69  
Gasket, Cover, Tank, Solution, 2-29  
Gasket, Cover, 3-53, 3-71  
Gasket, Foam, 3-67, 3-85  
Gasket, Lid, 2-43, 3-91  
Gasket, Mtg, Fan, 2-2, 2-3, 2-45  
Gasket, Sqge, 2-67, 3-117, 3-119  
Gasket, Tank, Recovery, 2-2, 2-3, 2-41  
Gasket, 2-79  
Gasspring, 56lb, 6.3strk, 2-57, 3-43, 3-59, 3-77  
Gear, Drive, 2-23  
Gearbox, 90, Drive Wheel, Rear, [Hu], 2-23  
Gearbox, Motor, 4-8, 4-9, 4-10  
Geroler S/A, 4-14  
Geroter, 4-15  
Grommet, Blind, 3-93, 4-17  
Grommet, Level Sensing 1.6 D 9.6L, 2-29  
Grommet, Pye, 0.37id, F/ 1.5h, .13matl, 3-105  
Grommet, Rbr, 0.38id, F/ 0.5h, .12matl, 3-5, 3-7, 3-9  
Grommet, Rbr, 0.50id, F/ 0.8h, .12matl, 2-69  
Grommet, Rbr, 0.89id, F/ 1.2h, .14matl, 2-21  
Grommet, Rbr, 1.00id, F/ 1.4h, .12matl, 2-69  
Grommet, Rbr, 1.0b, 2-69, 2-79  
Grommet, Rbr, 1.50id, F/ 1.8h, .31matl, 2-15, 2-25  
Grommet, Rbr, 2.13id, F/ 2.5h, .12 Matl, 2-33  
Grommet, Ribbon Cable, .63 X 1.81, 2-15  
Grommet, 3-109  
Guard Wldt, Lh, 3-63, 3-81  
Guard Wldt, Light, Revl/Fish, 3-5, 3-7  
Guard Wldt, Oprtr, Top, 3-13  
Guard Wldt, Rh, [Mp1200], 3-79  
Guard Wldt, Rh, 3-61  
Guard Wldt, Sqge (MP 20), 3-37, 3-69  
Guard, Brush, Side, 3-23, 3-29  
Guard, Bumper, 3-37, 3-69  
Guard, Kick In, Scb Head, 2-51, 3-37, 3-51, 3-69  
Guard, Light, 3-9  
Guide, Point, Side Sqge, 2-59, 2-61, 3-45, 3-47, 3-49, 3-61, 3-63, 3-79, 3-81

## H

Handle Wldt, Steering, Tilt, 2-17, 3-19  
Handle, Wand, 3-109  
Handle, 2-29  
Harness [Fast 7300/8300], 2-101  
Harness [FaST II+ 7300/8300], 2-102  
Harness, Backup Alarm, Shrd, 3-9  
Harness, Battery, Connecting, 2-75, 2-77  
Harness, Battery, Rollout [7300/8300], 3-123  
Harness, Fast, 7300/8300, 2-101  
Harness, Jumper, Arm, 2-100  
Harness, Light, Revl, Shrd, 3-5  
Harness, Main, 7300, 8300, 2-100  
Harness, Main, Controlboard[Ec-H2o 5cell], 4-17  
Harness, Power Wand, [7300/8300], 3-113  
Harness, Rear [FaST 7300/8300], 2-102  
Harness, Rear, [Fast 7300/8300], 2-101  
Harness, Sensor, Jumper, 2-41, 3-89  
Harness, Switch, Key, Diode, 2-73  
Harness, Warning Light, Alarm, 3-7  
Harness, Wire [7300 Ec-H2o, Module], 3-97  
Harness, Wire [7300, Ec-H2o Interface], 3-97  
Harness, Wire, Jumper, Reverse Switch, 3-9  
Harness, Wire, Jumper, Seat Switch, 2-100  
Head Kit, Pump, Water, Repair, 4-18  
Head, Wand, 3-109  
Headlight, 36vdc, 15cp 0.7a [#0534242], 2-2  
Headlight, 36vdc, 15cp, 0.7a, 2-9  
Headlight, 36Vdc, 60 Watt 1.7A, 3-9  
Hinge Assy, 2-13  
Hinge Wldt, W/ Pin, 2-13  
Hinge, .38pin .11 3.5w 04.0l 4/0.38slot, 2-11  
Hook Wldt, Latch, 3-53, 3-71  
Horn, 36vdc, DbA, 2-9  
Hose Assembly, 3-107  
Hose Assy, Drain, 2-43, 3-91  
Hose Assy, Pvc, W/ Cuff, 1.5d, 90.0l, 3-115  
Hose Assy, W/1cuff, 1.5d 120l 1.5/, 3-99, 3-101  
Hose Assy, W/2 Cuff, 1.0d 41.0l, 2-3, 3-47  
Hose Assy, W/2 Cuff, 1.0D 44L 1.0/1.0, 3-47  
Hose Assy, W/2cuff, 1.0d, 23l, 3-67, 3-85  
Hose Assy, W/2cuff, 1.0d, 41l, 3-67, 3-85  
Hose Assy, W/2cuff, 2.0d 26l, 3-47, 3-67, 3-85  
Hose Assy, W/2cuff, 2.0d 75l, 3-47, 3-67, 3-85  
Hose, Afmkt Replmt, Pvc, Brd 0.50id 1 Ft, 2-31, 2-33, 2-35, 3-57, 3-75  
Hose, Afmkt Replmt, Pvc, Brd 0.50id 2 Ft, 2-31, 3-41, 3-57, 3-75  
Hose, Afmkt Replmt, Pvc, Brd 0.50id 20ft, 2-35



Hose, Afmkt Replmt, Pvc, Brd 0.50id 3 Ft, 3-41  
 Hose, Afmkt, Pvc, Brd 0.50id 1ft, 2-55  
 Hose, Afmkt, Pvc, Brd 0.50id 2ft, 2-53  
 Hose, Afmkt, Pvc, Brd 0.75id 1 Ft, 3-41, 3-57, 3-75  
 Hose, Afmkt, Pvc, Brd 0.75id 8 Ft, 3-41, 3-57, 3-75  
 Hose, Afmkt, Pvc, Brd, 0.25id, 03ft, 3-93  
 Hose, Afmkt, Pvc, Brd, 0.38id, 01ft, Clr, 4-17  
 Hose, Afmkt, Pvc, Brd, 0.38id, 03ft, Clr, 2-37  
 Hose, Afmkt, Pvc, Brd, 0.38id, 08ft, Clr, 3-93  
 Hose, Afmkt, Pvc, Brd, 0.50id, 01ft, Clr, 2-37  
 Hose, Afmkt, Pvc, Brd, 0.50id, 02ft, Clr, 2-37  
 Hose, Afmkt, Pvc, Brd, 0.50id, 08ft, Clr, 3-93  
 Hose, Afmkt, Pvc, Brd, 0.75id 8 Ft, 2-55  
 Hose, Afmkt, Pvc, Clr 0.25id 1 Ft, 2-33  
 Hose, Afmkt, Pvc, Clr 0.25id 2 Ft, 2-33  
 Hose, Afmkt, Pvc, Clr, 0.25id, 02ft, 2-37  
 Hose, Hyd, Tc 06, Jf Str/E90 , 48.0l, 3-20  
 Hose, Hyd, Tc 04, Jf04str /Jf04e90 , 30.0, 3-20  
 Hose, Pvc, Brd, 0.31id 0.53od, 2ft, Clr, 4-17  
 Hose, Pvc, Brd, 0.38id 0.60od 15.00l, 3-105  
 Hose, Pvc, Brd, 0.38id 0.60od 66.00l, 3-105  
 Hose, Pvc, Brd, 0.50id 0.73od 33.00l, 3-39  
 Hose, Pvc, Brd, 0.50id 0.75od 14.00l, 3-39  
 Hose, Pvc, Brd, 0.50id 0.80od 18.00l, 3-39  
 Hose, Pvc, Brd, 0.62id 0.91od 10.30l, 2-53  
 Hose, Pvc, Brd, 0.75ID 1.00OD 02.00L, 3-55  
 Hose, Pvc, Brd, 0.75id 1.00od 02.00l, 3-39  
 Hose, Pvc, Brd, 0.75id 1.00od 19.00l, 3-87  
 Hose, Pvc, Brd, 0.75id 1.00od 2.00l, 3-73  
 Hose, Pvc, Brd, 0.75id 1.00od 26.00l, 3-87  
 Hose, Pvc, Brd, 0.75id 1.00od 44.50l, 3-39, 3-55, 3-73  
 Hose, Pvc, Brd, 0.75id 1.03od 01.50l, 3-55, 3-73  
 Hose, Pvc, Brd, 0.75id 1.03od 02.00l, 2-53, 2-55  
 Hose, Pvc, Brd, 0.75ID 1.03OD 05.00L, 3-55  
 Hose, Pvc, Brd, 0.75id 1.03od 05.00l, 3-73  
 Hose, Pvc, Brd, 0.75id 1.03od 11.00l, 3-55, 3-73

Hose, Pvc, Brd, 0.75id 1.03od 44.50l, 2-53, 2-55  
 Hose, Pvc, Clr, 0.50id 0.69od 50.00l, 3-89  
 Hose, Pvc, Wir, 0.50id 0.74od 47.00l, 3-111  
 Hose, Pvc, Wir, 0.50id 0.75od 15.50l, 3-111  
 Hose, Vacuum, 0.16id X 05.0l, 2-41, 2-45, 3-89  
 Hose, Vacuum, 35.0l, 2-3, 3-47, 3-67, 3-85  
 Hose, Vacuum, 58.5l, 2-3, 3-47, 3-67, 3-85  
 Hose, Vacuum, 89.0l, 2-41  
 Hose, Vacuum, 91.0l, 2-2, 2-3  
 Hose, Vacuum, 2-2, 2-3, 2-45, 3-107  
 Hose, Vyl, Brd .38id .60od 45.0l, 3-105  
 Hose, Vyl, Brd, .62id 55.0l, 3-89  
 Hose, Vyl, Brd, .75id 28.0l, 3-89  
 Hose, Wand, 3-109  
 Hose, Water, 1.0id 2.25l, 2-29  
 Hose, Water, 1.0id 4.5l, 2-29  
 Hose, Water, Vyl, Brd, .75ld 14.0L, 3-87  
 Hose, 3-107  
 Housing Wldt, Brg, 2-17  
 Housing Wldt, Brush [Mp1200], 3-69  
 Housing Wldt, Brush, Side, 3-25, 3-31  
 Housing Wldt, Brush, 3-27, 3-33, 3-51  
 Housing, Bottom, 4-17  
 Housing, Cplg, Qf / Pm08 (ec-H2O), 2-55  
 Housing, Cplg, Qf / Pm08 (FaST), 3-41, 3-57, 3-75  
 Housing, Cplg, Qf / Pm08, 2-37, 3-93  
 Housing, 4-3, 4-5, 4-14  
 Hub, Drive, Brush, Disk, 0.75B 6T, 2-49, 3-35  
 Hub, Drive, Brush, Disk, 3 Hole 5.8Bc, 2-7

**I**

Insert, Cplg, Qm, Bm08, 2-37, 3-93  
 Instruction, Repair, Valve, Strg, 4-15  
 Instruction, Repair, 4-14  
 Insulator, Panel & Switchboard, 2-73  
 Insulator, Panel, 2-71

**J**

Joint, U, 0.75ld, 2-17

**K**

Key Square 0.25 0.25 01.00 Lg, 4-10  
 Key Square 0.25 X 0.25, 01.00L, 4-8, 4-9  
 Key, Ignition, 2-15  
 Key, Sq, 0.19 X 0.19, 00.75l, 3-53, 3-71  
 Key, Sq, 0.19 X 0.19, 01.00l, 2-17, 3-53, 3-71  
 Key, Sq, 0.19 X 0.19, 01.25L, 4-7  
 Key, Sq, 0.19 X 0.19, 01.25l, 3-53, 3-71  
 Key, Woodruff, 0.16 0.62, 4-6  
 Key, Woodruff, 0.19 0.75, [Asa#0606], 2-17  
 Kit, Brake, 2-2, 2-3  
 Kit, Brush, Motor, Ele, 3-23, 3-29

Kit, Cap, Drain, 2-43, 3-91  
 Kit, Cl, Alarm, Backup, 36Vdc, 3-9  
 Kit, Ci, Battery, 36vdc, 380ah, Wet, 3-127  
 Kit, Ci, Battery, 36vdc, 600ah, Sealed, 3-131  
 Kit, Ci, Battery, 36vdc, 750ah, Wet, 3-133  
 Kit, Ci, Battery, Rollout, 3-123  
 Kit, Ci, Bumper, Rear, 3-11  
 Kit, Ci, Detgt Metering, 3-105  
 Kit, Ci, Drain, Soltn, Pos Cntrl, Soltn, 3-101  
 Kit, Ci, Drain, Soltn, Pos, Cntrl, Recvy, 3-99  
 Kit, Cl, Extinguisher, Fire, [7300/8300], 3-143  
 Kit, Ci, Fork Lift, Battery, 3-125  
 Kit, Ci, Indicator, Low Water Level, 3-103  
 Kit, Cl, Light, Revl W/ Ohg, 3-7  
 Kit, Cl, Light, Revl W/O OHG, 3-5  
 Kit, Ci, Ohg, [7300/8300], 3-13  
 Kit, Ci, Seat, Suspension, 3-17  
 Kit, Ci, Seatbelt, 3-15  
 Kit, Cl, Squeegee, Rear (Max Pro 1000), 2-67  
 Kit, Cl, Squeegee, Rear (Max Prot 1000), 3-119  
 Kit, Cl, Squeegee, Rear [Max Pro 1200], 3-117  
 Kit, Ci, Vacuum Wand, [7300/8300], 3-115  
 Kit, Cover, Recvy, W/Gasket, 2-41  
 Kit, Drain Hose, Solution Side, 3-91  
 Kit, Fitting, Garden Hose, 3-87  
 Kit, Maint, 800hr  
 [7300-Mp1200-Disk-Vac], 2-3  
 Kit, Maint, 800hr, [7300-Mp1000-Cyl], 2-3  
 Kit, Maint, 800hr, [7300-Mp1000-Disk], 2-2  
 Kit, Maint, 800hr, [7300-Mp1200-Cyl], 2-3  
 Kit, Maint, 800hr, [7300-Mp1200-Disk], 2-2  
 Kit, Modif, Ftg Location, [Discvac], 2-3  
 Kit, Replmt, Bracket, F/386211, 2-11  
 Kit, Replmt, Press Switch/34" Tube, 2-29, 3-103  
 Kit, Seal, Hyd, Valve, Strg, 4-15  
 Kit, Seal, Motor, 4-14  
 Kit, Seal, Scu, 3-19  
 Kit, Seal, 4-13  
 Kit, Spring, Valve, Strg, 4-15  
 Kit, Switch, Micro, 3-9  
 Kit, Valve, Check, 2-29  
 Kit, Wand, Power [5400], 3-109  
 Knob, 0.50-20, 1.38d, Plstc, 2-39  
 Knob, 4-Prong W/.31-18, Insert, 3-117, 3-119  
 Knob, 4-Prong W/.31-18, Insert, 2-67  
 Knob, Adj, 2-63  
 Knob, Plastic, 3-25, 3-31  
 Knob, 2-17, 2-63

## CROSS REFERENCE

### L

Label [User, Attention, Ec-H2o], 3-95  
Label Set, Info & Hzd, 2-103  
Label Set, Info/Hzrd, [Max Pro], 3-51, 3-69  
Label Set, Info/Hzrd, [Maxpro], 2-49, 3-35  
Label Set, Operational, 7300/8300, 2-103  
Label Set, Opertnl [7300 ec-H2O], 3-95  
Label, Attention Fast Users, 2-29  
Label, Brush, Side, Adj, 3-27, 3-33  
Label, Direction [Ec-H2o], 4-17  
Label, Fast, 2-80  
Label, Front [Ec-H2o, T15], 3-95  
Label, Module [Nsf, Ec-H2o], 4-17  
Label, Sqge, 2-103  
Label, Switch [7300/8300 FaST], 2-81  
Label, Switch, Fast, 2-80  
Label, Tank [ec-H2O], 3-95  
Label, 2-103  
Lamp, 40vdc, 0.9a, [50cp#1062], 3-5, 3-7  
Lamp, 36vdc, 32cp, .72a, 2-9  
Lamp, 2-9  
Lampholder, 2-9  
Latch, Double Scrub, Side Sqge, 2-59,  
2-61, 3-45, 3-49  
Latch, Handle, 3-123  
Latch, Trigger, 2-11  
Latch, 2-13, 3-53, 3-61, 3-63, 3-71, 3-79,  
3-81  
Lens, Amber, Light, Revl, 3-5, 3-7  
Lens, Rev. Light, Blue, 3-5, 3-7  
Lens, Rev. Light, Red, 3-5, 3-7  
Lever Wldt, 2-25  
Lever, Valve, Water, 2-39  
Light, Led, .312d, 2 Volt [Tri-Color], 3-95  
Light, Revl, 36vdc, Amb, Rework 44684,  
3-5, 3-7  
Light, Spot, 36vdc, 60w Rework 72173,  
3-9  
Link Assy, Rod-End, .63-18, 2-51, 3-37,  
3-51, 3-69  
Link Wldt, Head, Drag (Replaced by  
9005751), 3-37, 3-51, 3-69  
Link, .38 1.0w 07.5l 2/1.5h, 2-51  
Link, Chain, Roller, #40, 2-17, 3-19  
Link, Lift, Squeegee (Replaced by  
9005752), 2-51  
Lock, Secondary, 2cav, Mp280 Sealed,  
4-18

### M

Manifold, Plastic, 3-39  
Manifold, Soltn, Cntrl, 2-53, 2-55, 3-39,  
3-41  
Manual Pkg, (7300 Ele Na), 3-144  
Manual, Fiche, (7300 Ele), 3-144  
Manual, Oprtr, (7300 Ele Es Na), 3-144  
Manual, Oprtr, (7300 Ele Fr Na), 3-144  
Manual, Service, (7300 Ele Na), 3-144  
Media, Cd-Rom, Training [ec-H2O  
TENNANT], 3-144  
Module Kit, Replmt [Ec-H2o], 4-17

Module, Water, W/Pkg [7300 Ec-H2o]  
(See Breakdowns), 3-93  
Motor Ele, 36Vdc, Rh Rep By 1008274,  
3-23  
Motor, Ele, 36 Vdc 1500 Rpm 1.5 Hp, 4-7  
Motor, Ele, 36Vdc 0.08Hp 0068Rpm  
04.5A, 3-23, 3-29  
Motor, Ele, 36vdc 1.00hp 0300rpm, Gear  
(Standard) (See Breakdown), 2-49  
Motor, Ele, 36vdc 1.50hp 0300rpm, Gear  
(Heavy Duty) (See Breakdown), 2-49  
Motor, Ele, 36vdc 1.50hp 1500rpm 43.0a,  
3-53, 3-71  
Motor, Ele, 36vdc 1500rpm 1.5hp (See  
Breakdown) (Repl By 377398AM),  
3-53, 3-71  
Motor, Ele, 36Vdc, Hp, 0080Rpm, Lh (Rep  
By 1008275), 3-29  
Motor, Ele, Vdc 3.0hp Traction,[201] (See  
Breakdown), 2-23  
Motor, Elect, 4-13  
Motor, Gear, 1.0Hp 36V, 4-10  
Motor, Gear, Ele, 1.0hp, 36vdc, 300rpm  
(See Breakdown), 3-35  
Motor, Gear, Ele, 1.5hp, 36vdc, 300rpm  
(Heavy Duty) (See Breakdown)  
(Replaced by 387585AM), 2-49  
Motor, Gear, Ele, 1.5Hp, 36Vdc, 300Rpm,  
4-8, 4-9  
Motor, Hyd (See Breakdowns), 3-19  
Motor, Hyd, 4-14  
Motor, traction 36v, 4-6  
Motor, 4-11  
Mount, Cable Tie, 3-27, 3-33

### N

Nozzle, Spray, 3-109  
Nozzle, Wand, Plstc, 14.0lg, 3-115  
Nozzle, Water, 3-89  
Nut, Hex, Cplg, M08X1.25, 2-73  
Nut, Hex, Flng, .38-16, 2-59, 3-45  
Nut, Hex, Flng, M06 X 1.0, 2-71, 2-73, 3-9  
Nut, Hex, Flng, M08 X 1.25, 2-9, 3-5, 3-7,  
3-23, 3-27, 3-29, 3-33  
Nut, Hex, Flng, M10 X 1.5, 2-63, 3-99,  
3-101  
Nut, Hex, Flng, M5 X 0.8, 2-80  
Nut, Hex, Flng, M5 X 0.80, 3-93  
Nut, Hex, Jam, .62-18, Ss, Lh, 3-51, 3-69  
Nut, Hex, Jam, .62-18, Ss, 3-51, 3-69  
Nut, Hex, Jam, M10 X 1.5, Ss, 2-63, 3-117  
Nut, Hex, Jam, M20 X 1.5, 3-19  
Nut, Hex, Lock, .25-20, NI, 2-21  
Nut, Hex, Lock, .25-28, NI, 2-21  
Nut, Hex, Lock, .31-18, NI, Thin, 3-123  
Nut, Hex, Lock, .31-18, NI, 2-19, 3-17  
Nut, Hex, Lock, .44-20, NI, Thin, 2-39  
Nut, Hex, Lock, .50-13, NI, Ss, 2-63  
Nut, Hex, Lock, .62-18, NI, Thin, 2-51,  
3-37, 3-51, 3-69  
Nut, Hex, Lock, #06-32, NI, 3-27  
Nut, Hex, Lock, M 4 X 0.7, NI Ss, 3-123

Nut, Hex, Lock, M 4 X 0.7, NI, 2-33  
Nut, Hex, Lock, M 5 X 0.8, NI, 2-73  
Nut, Hex, Lock, M 5 X 0.8, NI, Ss, 3-123  
Nut, Hex, Lock, M 6 X 1.0, NI, 2-73, 2-80  
Nut, Hex, Lock, M 8 X 1.25 NI, 2-77  
Nut, Hex, Lock, M 8 X 1.25, NI, Ss, 3-37,  
3-69  
Nut, Hex, Lock, M04 X 0.7, NI, Ss, 3-53,  
3-71, 3-105  
Nut, Hex, Lock, M04 X 0.7, NI, 2-13, 3-89,  
3-113  
Nut, Hex, Lock, M05 X 0.8, Ni, 2-9  
Nut, Hex, Lock, M05 X 0.8, NI, Ss, 2-43,  
2-47, 3-51, 3-69, 3-91  
Nut, Hex, Lock, M05 X 0.8, NI, 2-15, 2-71,  
3-53, 3-71  
Nut, Hex, Lock, M06 X 1.0, NI, Ss, 2-39,  
2-51, 2-53, 2-55, 2-57, 2-59, 2-61,  
2-65, 3-39, 3-41, 3-43, 3-45, 3-49,  
3-55, 3-57, 3-59, 3-67, 3-73, 3-75,  
3-77, 3-85, 3-87, 3-111, 3-123  
Nut, Hex, Lock, M06 X 1.0, NI, 2-11, 2-15,  
2-17, 2-21, 2-71, 3-9  
Nut, Hex, Lock, M08 X 1.25, NI, Ss, 2-25,  
2-29, 2-47, 2-49, 2-59, 2-61, 2-65,  
2-67, 3-35, 3-43, 3-45, 3-47, 3-49,  
3-51, 3-69, 3-77, 3-89, 3-105, 3-111,  
3-117, 3-119, 3-123, 3-125, 3-131,  
3-133  
Nut, Hex, Lock, M08 X 1.25, NI, 2-9, 2-11,  
2-17, 2-21, 2-23, 2-25, 2-39, 2-69,  
2-75, 3-19, 3-23, 3-29, 3-55, 3-57,  
3-73, 3-75  
Nut, Hex, Lock, M08-1.25, NI, Ss, 3-127  
Nut, Hex, Lock, M10 X 1.5, NI, SS, 3-53,  
3-71  
Nut, Hex, Lock, M10 X 1.5, NI, Ss, 2-49,  
2-63, 2-65, 3-11, 3-35, 3-37, 3-69  
Nut, Hex, Lock, M10 X 1.5, NI, 2-21, 3-13,  
3-15, 3-27, 3-33  
Nut, Hex, Lock, M12 X 1.75, NI, 3-23  
Nut, Hex, Lock, M12 X 1.75, NI, Ss, 2-67,  
3-61, 3-63, 3-79, 3-81, 3-117, 3-119  
Nut, Hex, Lock, M12 X 1.75, NI, 2-17, 2-27,  
3-19, 3-29  
Nut, Hex, Lock, M4 X 0.70, NI, Ss, 4-17  
Nut, Hex, Lock, M5 X 0.80, NI, 2-37  
Nut, Hex, Lock, M6X1.0, Ss, NI, 3-65, 3-83  
Nut, Hex, Lock, M8 X 1.25, NI, Ss, 3-129  
Nut, Hex, Lock, M8 X 1.25, NI, 2-33, 3-93  
Nut, Hex, Sltld, 1.00-20, 2-27  
Nut, Hex, Std, .25-20, 2-71, 2-73  
Nut, Hex, Std, .25-28, 2-21  
Nut, Hex, Std, .31-24, 2-71, 2-73, 2-75,  
2-77, 3-19, 3-27  
Nut, Hex, Std, .38-16, Ss, 3-61, 3-79  
Nut, Hex, Std, .50-20, 2-23  
Nut, Hex, Std, #10-32, 2, 2-71, 2-73, 2-75,  
2-77, 3-19, 3-27  
Nut, Hex, Std, M06 X 1.0, 2-75  
Nut, Hex, Std, M08 X 1.25, Ss, 2-59, 2-61,  
3-45, 3-49, 3-61, 3-63, 3-79, 3-81  
Nut, Hex, Std, M08 X 1.25, 2-75, 2-77

Nut, Hex, Std, M10 X 1.25, 3-25, 3-31  
 Nut, Hex, Std, M10 X 1.5, 2-21  
 Nut, Hex, Std, M12 X 2.0, 3-37  
 Nut, Retainer, .31-18, 2-57, 3-43, 3-59, 3-77  
 Nut, Thumb, M6 X 30mm Dia, 3-109  
 Nut, Wheel, M14-1.5, 2-23  
 Nut, 4-3, 4-5

**P**

Pad, Buff, 16.0d, Red, 2-7  
 Pad, Buff, 20.0d, Red, 2-5  
 Pad, Polish, 16.0d, White, 2-7  
 Pad, Polish, 20.0d, White, 2-5  
 Pad, Scrub, 16.0d, Blue, 2-7  
 Pad, Scrub, 20.0d, Blue, 2-5  
 Pad, Strip, 16.0d, Brown, 2-7  
 Pad, Strip, 20.0d, Brown, 2-5  
 Pad, Stripping, 16.0d[Hi Prod,Black, 2-7  
 Pad, Stripping, 20.0D[Hi Prod,Black, 2-5  
 Pad, Surf Prep, 20.0D [Mar, 1Pick=1Pad], 2-5, 2-7  
 Pad, 2-25  
 Panel Assy, Touch [7300], 2-15  
 Panel Wldt, Front W/ Label, 2-13  
 Panel, Instmt, 2-15  
 Panel, Motor, Cover W/ Label, 2-23  
 Pedal Assy, Foot (Replaced by 1042524), 2-21  
 Pedal Assy, Propel, 36vdc, 2-21  
 Pedal Wldt, Accelerator, 2-21  
 Pedal, Brake, Parking, 2-25  
 Pin Wldt, Front, 2-67, 3-117, 3-119  
 Pin, Clevis, .625 Dia X 5.25l, 3-53, 3-71  
 Pin, Clevis, 0.19 D X 0.63l, 2-65  
 Pin, Clevis, 0.25 D X 2.44l, 2-65  
 Pin, Clevis, 0.25d X 2.00l, 2-67, 3-119  
 Pin, Clevis, 0.31 D X 0.75l, 2-27  
 Pin, Clevis, 0.31 D X 0.88l, 3-47  
 Pin, Clevis, 0.31 D X 1.00l, 2-25  
 Pin, Clevis, 0.31d 0.88l, 2-59, 2-61, 3-45, 3-49, 3-61, 3-63, 3-79, 3-81  
 Pin, Clevis, 0.37 D X 0.62l, 3-23, 3-29  
 Pin, Clevis, 0.37 D X 0.75l, 3-61, 3-63, 3-79, 3-81  
 Pin, Clevis, 0.37 D X 1.00l, 2-27, 2-59, 2-61, 3-45, 3-49  
 Pin, Clevis, 0.37 D X 1.31l, 2-51, 3-37, 3-51, 3-69  
 Pin, Clevis, 0.37 D X 1.50l, 2-59  
 Pin, Clevis, 0.37 D X 2.00l, 2-57, 3-43, 3-59, 3-77  
 Pin, Clevis, 0.37 D X 2.12l, 3-117  
 Pin, Clevis, 0.37 D X 3.25l, 3-23, 3-29  
 Pin, Clevis, 0.37 D X 4.00l, 3-25, 3-31  
 Pin, Clevis, 0.38 D X 2.50l, 2-51, 3-37, 3-51, 3-69  
 Pin, Clevis, 0.50 D X 1.75l, 2-47  
 Pin, Clevis, 0.50 D X 1.87l, 2-57, 3-59  
 Pin, Clevis, 0.50 D X 2.00l, 2-65  
 Pin, Clevis, 0.50 D X 2.50l, 2-47, 2-51, 2-65, 3-37, 3-43, 3-51, 3-69

Pin, Clevis, 0.50 D X 3.50l, 2-21  
 Pin, Clevis, 0.50 D X 4.00l, 3-25, 3-31  
 Pin, Clevis, 0.50 D X 5.50l, 2-47  
 Pin, Clevis, 0.75 D X 6.50l, 2-9  
 Pin, Cotter, .062 X 0.75, 2-13, 2-65, 2-67, 3-119  
 Pin, Cotter, .094 X 0.75, 2-25, 2-27, 2-51, 2-57, 2-65, 3-23, 3-25, 3-29, 3-37, 3-43, 3-51, 3-59, 3-69, 3-77  
 Pin, Cotter, .094 X 1.00, 3-117  
 Pin, Cotter, .125 X 0.75, 2-51, 3-37, 3-51, 3-69  
 Pin, Cotter, .125 X 1.00, 2-21, 2-47, 2-51, 2-57, 3-25, 3-31, 3-37, 3-43, 3-51, 3-59, 3-69  
 Pin, Cotter, .156 X 1.25, 2-9  
 Pin, Hair Cotter, 0.31 D .058 Wir, 3-61, 3-63, 3-79, 3-81  
 Pin, Hair Cotter, 0.38 D .072 Wir, 2-59, 2-61, 3-45, 3-47, 3-49  
 Pin, Hair Cotter, 0.62 D .120 Wir, 3-23, 3-29, 3-53, 3-71  
 Pin, Hinge, Cover, 2-29  
 Pin, Prong, 2-79  
 Pin, Roll, .250 D X 0.75l, .250/.256, 2-59, 2-61, 3-45, 3-49, 3-61, 3-63, 3-79, 3-81  
 Pin, Roll, .250 D X 1.50l, .250/.256, 2-27  
 Pin, Roll, .250 D X 2.00l, .250/.256, 3-23, 3-29  
 Pin, Roll, .310 D X 0.75l, .312/.318, 2-23  
 Pin, Valve, Strg, 4-15  
 Pin, 2-17, 2-67, 3-117, 3-119, 4-15  
 Piston, 4-11  
 Pivot Wldt, Guard, 2-67, 3-117, 3-119  
 Pivot Wldt, Sqge Caster, 2-63  
 Plate Assy, Orifice, 0.010ld, Purple, 4-19  
 Plate Wldt, Floor, 2-9  
 Plate Wldt, Mtg, Idler, 2-17  
 Plate Wldt, Stop, 3-51, 3-69  
 Plate, Adapter, Brush, 3-23, 3-29  
 Plate, Controlbox, 2-69  
 Plate, Cover, 2-9  
 Plate, Floor, Upper, 2-9  
 Plate, Floor, 2-9  
 Plate, Hinge, 2-13  
 Plate, Mtg, Contactor, 3-19, 3-27  
 Plate, Mtg, Hyd, 3-19  
 Plate, Mtg, Tank, Detgt, 3-105  
 Plate, Orifice, 0.067id, 2-31  
 Plate, Orifice, 0.086id, 2-31  
 Plate, Seat, 2-19  
 Plate, Slide, 2-65  
 Plate, Stop, 2-25  
 Plate, Wand, Clean-Out, 3-89  
 Plate, Wear, 4-15  
 Plate, 2-13, 3-23, 3-29  
 Plug, Cap, 2-29, 2-41  
 Plug, Drive, Brush, Splined, 3-53, 3-71  
 Plug, Hole, Rnd, 0.44h .03-.12, Blk Nyl, 3-87  
 Plug, Hole, Rt, Rocker Switch, .87 X 1.7, 3-87

Plug, Orifice, 0.052, Ss [FaST II+], 4-19  
 Plug, Qm, .25npt, 3-109  
 Plug, Rbr, 2-69, 2-79  
 Plug, Resistor, 2-101  
 Plug, 2-23, 3-109  
 Powerunit, Hyd, 36vdc (See Breakdowns), 3-19  
 Powerunit, Hyd, 36Vdc, 4-13  
 Pump Assy, Power Wand (See Breakdown), 3-111  
 Pump assy, 4-13  
 Pump kit, power wand, 4-11  
 Pump screw, 4-11  
 Pump, Air, Ele, 36vdc, 2-33  
 Pump, Detgt, 36vdc (See Breakdown), 3-105  
 Pump, Detgt, 560s, 2-33  
 Pump, Metering Solution, 4-12  
 Pump, Soltn, 36vdc, 65psi [Fast li+], 2-37  
 Pump, Soltn, Ele, 36vdc (See Breakdowns), 3-93  
 Pump, Soltn, Ele, 36vdc, 2-31, 4-18  
 Pump, Solution, Impeller, 36vdc, 3-87

**R**

Race Thrust, 4-14  
 Rail Wldt, Lift, Cyl Head, 3-59, 3-77  
 Rail Wldt, Lift, Disk Head, 2-57, 3-43  
 Rail, 2-19  
 Relay, 36vdc, 5a, Spdt, [Greenwich], 3-9  
 Relay, 36vdc, 05a, Spdt N/O [Greenwich], 2-80  
 Relay, 36Vdc, 005A, Spdt No [Greenwich], 2-81  
 Relay, 36vdc, 100a, Sp N/O [White], 2-73, 3-27  
 Replacement Kit, Bellows, 4-12  
 Reservoir, 4-13  
 Resistor, 040.00 Ohm, 40watt, 2-73  
 Resistor, 040.00ohm, 40watt, 2-71  
 Resistor, 011.00 Ohm, 0040Watt [5%], 3-93  
 Retainer, Bearing, 3-53, 3-71  
 Retainer, Blade, Front, 3-47  
 Retainer, Spring, 2-21  
 Retainer, Sqge, 2-59, 2-61, 3-45, 3-47, 3-49, 3-61, 3-63, 3-79, 3-81  
 Return Spring-Brakes, 2-27  
 Ring, Brush, 4-7  
 Ring, Mtg, Sqge, .50l, 2-67, 3-117, 3-119  
 Ring, Retainer, Valve, Strg, 4-15  
 Ring, Retaining, Ext, 0.59d, Basic, 2-63  
 Ring, Retaining, Ext, 0.75d, Hd, 3-53, 3-71  
 Ring, Retaining, Ext, 0.75d, Ss, 2-43, 3-91  
 Ring, Retaining, Ext, 2-67, 3-117, 3-119  
 Ring, Retaining, Int, 1.85d, Basic, 3-53, 3-71  
 Rivet, Plstc, .25 D X 0.75, 2-9  
 Rivet, Plstc, .250 X 0.898, 2-49, 3-35, 3-113, 3-115  
 Rivet, Pop, 3-109  
 Rod Wldt, 2-39

## CROSS REFERENCE

Rod, Link, 3-51, 3-69  
Rod, Rear Door, 2-13  
Rod, Thrd, 2 End M10x1.5 07.4, 2-63  
Rod, Thrd, 2 End, .25-28 04.4I, 2-21  
Rod, Thrd, Full, .25-20 01.5I, 2-71, 2-73  
Rod, Threaded, 2-27  
Rod-End, .62-18rh Fem 0.50-18stud,  
3-51, 3-69  
Rod-End, .625-18, Lh, 3-51, 3-69  
Rod-End, M10 X 1.5rh Fem M10 X  
1.5stud, 2-63  
Rod, 2-13  
Roller, 2-51, 2-57, 3-37, 3-43, 3-51, 3-59,  
3-69, 3-77

### S

Screen Wldt, 3-67, 3-85  
Screen, 50 Mesh, Ss, 2-31  
Screen, Filter, 80 Mesh, 2-35  
Screen, Pump, 3-105  
Screw, Adjuster, 4-13  
Screw, Btn, M08 X 1.25 X 25, Ss, 3-27,  
3-33  
Screw, Cap, 4-15  
Screw, Flat, M06 X 1.0 X 20, 10.9, 2-15  
Screw, Flt, #06-32 X 0.38, Al, 3-27  
Screw, Flt, M10 X 1.5 X 20, 10.9, 3-25,  
3-31  
Screw, Flt, Phl, 10-32 X 0.31, 4-17  
Screw, Hex, .25-20 X 0.38, 5, 2-71  
Screw, Hex, .25-20 X 0.75, Sems, 3-61,  
3-63, 3-79, 3-81  
Screw, Hex, .31-18 X 1.00, Ss, NI, 2-49,  
3-35  
Screw, Hex, .38-16 X 1.00, NI, 2-49, 3-35  
Screw, Hex, .50-13 X 0.75, 5, 3-9  
Screw, Hex, .50-13 X 3.00, Ss, 2-63  
Screw, Hex, #10-24 X 0.50, Ss, 2-39  
Screw, Hex, M 5 X 0.8 X 12, 8.8, 2-73  
Screw, Hex, M 6 X 1.0 X 16, 8.8, 2-73  
Screw, Hex, M 6 X 1.0 X 16, Fmg, 3-47,  
3-67, 3-85  
Screw, Hex, M 6 X 1.0 X 20, NI, 2-73  
Screw, Hex, M 6 X 1.0 X 40, Ss, 2-77  
Screw, Hex, M 8 X 1.25 X 20, 8.8, 2-77  
Screw, Hex, M 8 X 1.25 X 30, 8.8, 2-11  
Screw, Hex, M 8 X 1.25 X 50, Ss, 3-37,  
3-69  
Screw, Hex, M04 X 0.7 X 12, 8.8, 3-89  
Screw, Hex, M04 X 0.7 X 20, 8.8, 3-113  
Screw, Hex, M05 X 0.8 X 12, 8.8, 2-71  
Screw, Hex, M05 X 0.8 X 12, Ss, 3-53,  
3-71  
Screw, Hex, M05 X 0.8 X 16, 8.8, 2-69  
Screw, Hex, M05 X 0.8 X 25, Ss, 2-43,  
2-47, 3-91  
Screw, Hex, M06 X 1.0 X 12, Ss, 3-61,  
3-63, 3-67, 3-79, 3-81, 3-85  
Screw, Hex, M06 X 1.0 X 16, 8.8, 2-71,  
2-79, 3-19, 3-27  
Screw, Hex, M06 X 1.0 X 16, Fmg, 2-9

Screw, Hex, M06 X 1.0 X 16, Ss, 2-53,  
2-55, 3-39, 3-41, 3-53, 3-55, 3-57,  
3-71, 3-73, 3-75, 3-87  
Screw, Hex, M06 X 1.0 X 20, 8.8, 2-11,  
2-25, 3-9  
Screw, Hex, M06 X 1.0 X 20, Fmg, 2-47  
Screw, Hex, M06 X 1.0 X 20, Ss, 2-51,  
2-59, 2-61, 2-65, 3-23, 3-29, 3-43,  
3-45, 3-49, 3-67, 3-85  
Screw, Hex, M06 X 1.0 X 25, 8.8, 2-21  
Screw, Hex, M06 X 1.0 X 25, Ss, 2-15,  
2-39, 3-87, 3-111  
Screw, Hex, M06 X 1.0 X 35, 8.8, 2-17  
Screw, Hex, M06 X 1.0 X 35, Ss, 3-123  
Screw, Hex, M06 X 1.0 X 40, Ss, 2-57,  
2-75, 3-43, 3-59, 3-77  
Screw, Hex, M06 X 1.0 X 50, 8.8, 3-9  
Screw, Hex, M06 X 1.0 X 20, 8.8, 2-9  
Screw, Hex, M06 X 1.0 X 20, Fmg, 2-9  
Screw, Hex, M06 X 1.0 X 20, Ss, 3-59,  
3-77  
Screw, Hex, M06 X 1.25 X 25, Ss, NI,  
2-57  
Screw, Hex, M06-1.0 X 12, Fmg, 2-21  
Screw, Hex, M08 X 1.25 X 12, 8.8, 2-17  
Screw, Hex, M08 X 1.25 X 16, 8.8, 2-17,  
2-23, 2-39  
Screw, Hex, M08 X 1.25 X 16, Ss, NI,  
2-11, 3-89  
Screw, Hex, M08 X 1.25 X 16, Ss, 2-19,  
2-41, 2-45, 3-55, 3-57, 3-73, 3-75,  
3-87  
Screw, Hex, M08 X 1.25 X 20, 8.8, 2-11,  
2-17, 2-23, 2-69, 2-75, 3-19, 3-25,  
3-31  
Screw, Hex, M08 X 1.25 X 20, Ss, NI,  
2-29, 2-41, 2-53, 2-55, 3-39, 3-41,  
3-113  
Screw, Hex, M08 X 1.25 X 20, Ss, 2-13,  
2-41, 3-37, 3-123, 3-125, 3-131, 3-133  
Screw, Hex, M08 X 1.25 X 25, 8.8, 3-5,  
3-7, 3-23, 3-29  
Screw, Hex, M08 X 1.25 X 25, Ss, NI,  
2-59, 2-61, 3-43, 3-45, 3-49  
Screw, Hex, M08 X 1.25 X 25, Ss, 2-13,  
2-49, 2-63, 2-65, 3-35, 3-51, 3-69,  
3-87, 3-111, 3-117  
Screw, Hex, M08 X 1.25 X 30, 8.8, 2-17  
Screw, Hex, M08 X 1.25 X 30, Ss, 2-29,  
3-89  
Screw, Hex, M08 X 1.25 X 35, 8.8, 2-25  
Screw, Hex, M08 X 1.25 X 35, Ss, 2-59,  
2-61, 3-45, 3-49, 3-105, 3-123  
Screw, Hex, M08 X 1.25 X 40, 8.8, 3-19,  
3-27  
Screw, Hex, M08 X 1.25 X 40, Ss, 2-25  
Screw, Hex, M08 X 1.25 X 45, Ss, 2-57,  
3-43, 3-59, 3-77  
Screw, Hex, M08 X 1.25 X 60, Ss, 3-43,  
3-77  
Screw, Hex, M08 X 1.25 X 70, Ss, 2-67,  
3-117, 3-119

Screw, Hex, M08 X 1.25 X 100, Ss, 2-67,  
3-119  
Screw, Hex, M08 X 1.25 X 130 Ss, 3-117  
Screw, Hex, M08 X 1.25 X 16, 8.8, 2-9  
Screw, Hex, M08 X 1.25 X 160, 8.8, 2-47  
Screw, Hex, M08 X 1.25 X 20, 8.8, 2-9  
Screw, Hex, M08 X 1.25 X 20, Ss, 2-9,  
3-69  
Screw, Hex, M08 X 1.25 X 25, Ss, 3-37,  
3-69  
Screw, Hex, M08-1.25 X 20, Ss, 3-127  
Screw, Hex, M08-1.25 X 40, Ss, 2-17  
Screw, Hex, M08x1.25 X12, Ss, 3-61, 3-63,  
3-79, 3-81  
Screw, Hex, M10 X 1.5 X 16, 8.8, 3-19  
Screw, Hex, M10 X 1.5 X 20, 8.8, 3-13,  
3-15  
Screw, Hex, M10 X 1.5 X 20, Ss, 3-53,  
3-71  
Screw, Hex, M10 X 1.5 X 25, 8.8, 3-23,  
3-29  
Screw, Hex, M10 X 1.5 X 25, Ss, 2-49,  
3-11, 3-13, 3-27, 3-33, 3-35, 3-37,  
3-69  
Screw, Hex, M10 X 1.5 X 30, Ss, 2-65,  
3-53, 3-71  
Screw, Hex, M10 X 1.5 X 35, 8.8, 2-21,  
3-99, 3-101  
Screw, Hex, M10 X 1.5 X 35, Ss, 2-29,  
2-41  
Screw, Hex, M10 X 1.5 X 40, 8.8, 2-17  
Screw, Hex, M10 X 1.5 X 60, 8.8, 2-21  
Screw, Hex, M10 X 1.5 X 60, Ss, 2-63,  
2-65  
Screw, Hex, M10 X 1.5 X 30, Ss, 2-63  
Screw, Hex, M12 X 1.75 X 40, 8.8, 3-37  
Screw, Hex, M12 X 1.75 X 25, 8.8, 2-23  
Screw, Hex, M12 X 1.75 X 30, Ss, 2-67,  
3-117, 3-119  
Screw, Hex, M12 X 1.75 X 40, 8.8, 2-27  
Screw, Hex, M12 X 1.75 X 50, Ss, 3-61,  
3-63, 3-79, 3-81  
Screw, Hex, M12 X 1.75 X 80, 8.8, 3-23,  
3-29  
Screw, Hex, M4 X 0.7 X 12, 8.8, 2-33  
Screw, Hex, M4 X 0.70 X 50, Ss, 4-17  
Screw, Hex, M5 X 0.8 X 16, Ss, 3-123  
Screw, Hex, M5 X 0.8 X 16, 8.8, 2-80  
Screw, Hex, M5 X 0.8 X 20, 8.8, 2-31  
Screw, Hex, M5 X 0.80 X 12, 8.8, 2-37,  
2-81, 3-93  
Screw, Hex, M6 X 1.0 X 16, 8.8, 2-31,  
2-33  
Screw, Hex, M6 X 1.0 X 30, 8.8, 2-80  
Screw, Hex, M6 X 1.0 X 12, Fmg, 3-99,  
3-101  
Screw, Hex, M6 X 1.00 X 12, Ss, 3-99,  
3-101  
Screw, Hex, M6 X 1.00 X 16, 8.8, 2-37  
Screw, Hex, M6 X 1.00 X 20, 8.8, 2-45  
Screw, Hex, M6 X 1.00 X 20, 9.8, Sems,  
3-93  
Screw, Hex, M6 X 1.00 X 25, Fmg, 2-21

- Screw, Hex, M6X1.0X16, Ss, NI, 3-19  
 Screw, Hex, M6X1.0X20, Ss, 3-65, 3-83  
 Screw, Hex, M8 X 1.25 X 16, Ss, NI, 3-57, 3-75  
 Screw, Hex, M8 X 1.25 X 20, 8.8, 2-33  
 Screw, Hex, M8 X 1.25 X 25, Ss, 2-33  
 Screw, Hex, M8 X 1.25 X 16, 8.8, 2-37, 3-93  
 Screw, Hex, M8 X 1.25 X 20, Ss, 3-129  
 Screw, Hex, M8 X 1.25 X 25, 9.8, Sems, 3-93  
 Screw, Hex, M8 X 1.25 X 30, 8.8, 3-93  
 Screw, Hex, 3-59  
 Screw, Mtg, 4-13  
 Screw, Pan, .25-20 X 1.00, 2, 2-21  
 Screw, Pan, .31-18 X 0.75, G1, 2-19  
 Screw, Pan, #06-32X0.38, 1, 2-69  
 Screw, Pan, #10-14 X 0.75, F/Plstc, 3-89  
 Screw, Pan, #10-14 X 0.75, F/Plstc, 3-5, 3-9  
 Screw, Pan, #10-14X0.75, F/Plstc, 3-115  
 Screw, Pan, #12-16 x 0.50, F/Plstc, 3-143  
 Screw, Pan, M 4 X 0.7 X 6, 4.8, 2-73  
 Screw, Pan, M 5 X 0.8 X 6, 4.8, 2-73  
 Screw, Pan, M04 X 0.7 X 10, Ss, 2-13  
 Screw, Pan, M04 X 0.7 X 20, Ss, 3-105  
 Screw, Pan, M04 X 0.7 X 30, 4.8, 2-71  
 Screw, Pan, M04 X 0.7 X 35, Ss, 2-5, 3-53, 3-71, 3-123  
 Screw, Pan, M04 X 0.7 X 35, Ss, 2-7  
 Screw, Pan, M05 X 0.8 X 6, 4.8, 2-21  
 Screw, Pan, M05 X 0.8 X 25, Ss, 3-51, 3-69  
 Screw, Pan, M06 X 1.0 X 10, Ss, 3-53, 3-71  
 Screw, Pan, M06 X 1.0 X 35, Ss, 2-5  
 Screw, Pan, M06 X 1.0 X 35, Ss, 2-7  
 Screw, Pan, Phl, .31-18 X 1.00, G2, 2-19  
 Screw, Pan, Phl, M5 X 0.80 X 16, Tcut, Ss, 4-17  
 Screw, Set, .31-18 X 0.50, Soc, 2-17  
 Screw, Set, #10-32 X 0.38, Al, 3-53, 3-71  
 Screw, Soc, M08 X 1.25 X 25, 12.9, 2-21, 2-57, 3-77  
 Screw, Soc, M08 X 1.25 X 60, 12.9, 2-23  
 Screw, Soc, M08 X 1.25 X 80, 12.9, 2-23  
 Screw, Soc, M12 X 1.75 X 45, 3-19  
 Screw, 4-3, 4-11, 4-14  
 Seal connector, 4-11  
 Seal kit, 4-11  
 Seal, Bulb, [Sd-168], 12.50l, 2-23  
 Seal, Bulb, [Sd-504], 15.52l, 2-23  
 Seal, Bulb, [Sd-504], 27.90l, 2-23  
 Seal, Bulb, [Sd-504], 48.70l, 2-11  
 Seal, Cup, Lower, 4-13  
 Seal, Cup, Upper, 4-13  
 Seal, Fan, 4-3, 4-5  
 Seal, O-Ring, .139 X 2.98id, 2-23  
 Seal, O-Ring, 2-23  
 Seal, Rbr, Clsd, 0.25th, 5.8d 03.3h, 2-2, 2-3, 2-45  
 Seal, Rbr, Clsd, 0.375, 5.0D 2.5H, 2-45  
 Seal, Wire, 14/16ga [Wp / Mp280 Sealed], 4-18  
 Seal, 2-43, 3-91, 4-6  
 Seat (Replaced by 9005082), 2-19  
 Seat, Std [Michigan, Model V-2505], 2-19  
 Seat, Suspension, 3-17  
 Seatbelt, 3-15  
 Sensor, Level, Liquid [Magnetic], 2-41, 3-89  
 Sensor, Level, Liquid, 14vdc 01a .62-11, 2-41  
 Sensor, Pedal Position, 2-21  
 Sensor, Position, Pedal, 2-21  
 Shaft, Drive, Brush, 3-53, 3-71  
 Shaft, Output, 4-14  
 Shaft, Steering, Lower, 2-17  
 Shaft, Steering, Upper, Mach, .75d 24.1l, 2-17  
 Shaft, Steering, 2-17  
 Shaft, Threaded, 3-25, 3-31  
 Shaft, 2-27  
 Shell, 4-3, 4-5  
 Shoe, Plstc, Sqge, 14inch, 3-115  
 Shunt, 2 Hd Motor, Red [SCB 515] (For Heavy Duty Motor), 2-57  
 Shunt, 2 Std Motor, Blk [SCB 515] (For Standard Motor), 2-57  
 Shunt, 2Hd Mtrs, Scrub 515, Red, 3-59, 3-77  
 Shunt, 3 Std Mtrs, Scrub 515, Yellow, 3-43  
 Skirt, Front, Scrub Head, 2-Brush, Ele, 2-2, 2-49  
 Skirt, Front, Scrub Head, 3-Brush, Ele, 2-2, 3-35  
 Skirt, Rear, Scrub Head, 2-Brush, Ele, 2-2, 2-49  
 Skirt, Rear, Scrub Head, 3-Brush, Ele, 2-2, 3-35  
 Skirt, Side, Scrbr Head, Ele, 2-2  
 Skirt, Side, Scrub Head, 2-Brush, Ele, 2-49  
 Sleeve Wldt, Lh, 2-27  
 Sleeve Wldt, Rh, 2-27  
 Sleeve, .335b X .62d X .52l, Sst, 3-45, 3-49  
 Sleeve, .38b X .75d X 1.5l, Bronze, 2-47  
 Sleeve, 0.32b 0.50d 0.3l, 2cham, Ss, 2-37  
 Sleeve, 0.62d 0.34b 1.19l Bnz, 3-117  
 Sleeve, Nyl, #15 14.0l, 2-75, 2-77  
 Sleeve, P/M, 0.625d 0.335b 0.52l Ss, 2-59, 2-61  
 Sleeve, P/M, 0.625d 0.406b 0.38l 430ss, 3-25  
 Sleeve, P/M, 0.745d 0.438b 0.50l 430ss, 2-65  
 Sleeve, Support, Tilt, 2-17  
 Sleeve, 2-13, 2-25, 2-41, 2-57, 2-59, 2-61, 2-65, 2-67, 3-23, 3-29, 3-43, 3-45, 3-49, 3-59, 3-77, 3-117, 3-119  
 Spacer, .41b .63d .13l, Ss 430pm, 2-63  
 Spacer, Battery, Lh, 3-129, 3-131  
 Spacer, Battery, Rear, 3-129, 3-131, 3-133  
 Spacer, Battery, Rh, 3-129, 3-131  
 Spacer, Battery, 3-127  
 Spacer, Flanged, 3-25, 3-31  
 Spacer, Latch, Filter, 2-41  
 Spacer, Plate, 3-37, 3-51, 3-69  
 Spacer, Rnd, .38B .88D .63L, 2-19  
 Spacer, Rod-End, 3-51, 3-69  
 Spacer, Washer, 2-51, 3-37, 3-51, 3-69  
 Spacer, 2-21, 4-3, 4-5, 4-14, 4-15  
 Spring, Bearing, 4-7  
 Spring, Brush, 4-8, 4-9  
 Spring, brush, 4-6  
 Spring, Cmpr, 0.36od .04wir 2.5l, 2-13  
 Spring, Cmpr, 1.5 Od .75id X 2.5l, 2-47  
 Spring, Cmpr, .87od .042wir 2.0l, 2-67, 3-117, 3-119  
 Spring, Compression, 3-109  
 Spring, Cover, 2-29  
 Spring, Die, 1.00od 0.50id 1.25l, 3-23, 3-29  
 Spring, Die, 1.00od 0.50id 2.00l, 2-63  
 Spring, Extn, 0.75od X 0.09wir, 2.5l, 2-59, 2-61, 3-45, 3-49, 3-61, 3-63, 3-79, 3-81  
 Spring, Extn, 1.00od X 0.11wir, 5.5l, 2-25  
 Spring, Extn, 1.10od X 0.15wir, 3.2l, 3-23, 3-29  
 Spring, Extn, 1.69od X 0.20wir, 9.5l, 2-65, 3-117  
 Spring, load, 4-3  
 Spring, Motor, 3-53, 3-71  
 Spring, Tors, 0.75id .06wir 02.8coil, 2-25  
 Spring, Torsion, 2-17  
 Spring, Wir, 0.16d, Brush Retaining, 2-5, 2-7  
 Spring, 3-9, 4-5, 4-7, 4-13  
 Sprocket Wldt, #40, 96tooth, 7.00 B, 2-23  
 Sprocket, #40 24-Tooth, 3-19  
 Sprocket, #40, 10tooth, 0.750b, 2-17  
 Sprocket, #40, 10tooth, 0.787b, 2-17  
 Sprocket, Timing, 23tooth, 0.625b, 3-53, 3-71  
 Sprocket, Timing, 4.261pd, 68 Grv, Pl, 3-53, 3-71  
 Squeegee, Side, Ure, [7300/830], 3-120, 3-121  
 Squeegee, Side, 2-2, 2-3, 2-59, 2-61, 3-45, 3-49, 3-61, 3-63, 3-79, 3-81  
 Stand-Off, 1.25, Metal, 3-27  
 Stand-Off, 1.25, Plstc, 3-27  
 Stationary Fan, 4-5  
 Steer-Control, Hyd (Replaced by 387653), 3-19  
 Steer-Control, Hyd (See Breakdowns), 3-19  
 Steer-Control, Hyd, 4-15  
 Stop Wldt (Replaced by 398454), 3-123  
 Stop Wldt, 3-123  
 Strainer, Pump, Es, 3-89  
 Strainer, Soltn, Switch Guard (Repl By 1019285), 3-89  
 Strainer, Soltn, Switch Guard (Repl. By 387649), 2-41  
 Strainer, Tank, Solution, 3-89

## CROSS REFERENCE

Strap, 2-43, 3-91  
Strip, Nonslip, 2-67, 3-117, 3-119  
Strip, Retainer, 3-109  
Strip, Stil, 0.05th X 00.75w, 07.80l, 2-21  
Stud, .31-18 2.75l M8 X 1.25, Ss, 2-67, 3-117, 3-119  
Stud, Adj, 3-109  
Stud, Ball, .39d .31-16, Gasspring, 2-57, 3-43, 3-59, 3-77  
Support Wldt, 2-65  
Switch Assy, Dual Press, 14" Tube, 3-89  
Switch Assy, Press, 3 Inch, 8" Tube, 3-89  
Switch Assy, Press, 4 Inch, 2-41  
Switch assy, 4-11  
Switch, Limit, No, 3-123  
Switch, No (Replaced by 398454), 3-123  
Switch, Press, 25 Psi, Pm02, 3-93  
Switch, Rocker, 36vdc 05a Progressive, 2-80  
Switch, Rocker, Prgsr, 2-81, 3-95  
Switch, Rocker, Spst, Mom, 4-17  
Switch, Rocker, 2-15, 3-5, 3-7, 3-113  
Switch, Seat, No [Delta 6440-04], 2-19  
Switch, Seat, 2-19  
Switch, Start, 2-15  
Switch, Vacuum, Dual Level, 2-45  
Switch, 2-15

### T

Taillight, 12vdc, 3.6 X 1.9, Rework 87277, 2-9  
Tank Kit, Recvy, W/ Label, Replmt [7300], 2-41  
Tank Kit, Soltn, W/ Label, Replmt [7300], 2-29  
Tank, Detergent, 3-105  
Tape, Foam, 2-79  
Terminal female, 4-11  
Terminal, [Metripk630], Fem 10, 4-7  
Terminal, Fem, Mp280, Sealed, 18-16ga, 4-18  
Terminal, Female, 4-3, 4-5  
Terminal, 4-8, 4-9, 4-10  
Tie, Cable, Nyl, 07.3l .19w 1.8 Max D, 2-19, 2-53, 2-55, 3-5, 3-9, 3-27, 3-33, 3-39, 3-41, 3-89, 3-113  
Tie, Cable, Nyl, 11.4l .19w 3.0 Max D, 2-49, 3-35  
Tie, Cable, Nyl, 14.5l .30w 4.0 Max D, 2-53, 2-55, 3-39, 3-41  
Tie, Cable, Nyl, 28.5l .50w 8.0 Max D, 2-75, 2-77  
Timer, 9-41vdc, Recycling, 2-80  
Tire Assy, 16 X 5 X 12.12 Non-Skid, 3-142  
Tire Assy, 16 X 5 X 12.12, 2-2, 2-27  
Tire Assy, Solid, 16.2X6.0 5.7Bc/5 Bolt, 2-23  
Tire Assy, Solid, 16.2x6.0 5.7bc/5bolt, 2-2  
Tire Assy, Solid, 16.3x6.0 5.7bc/5bolt, 3-141  
Tire, Non-Skid 16.25x6x11.25, 3-141  
Tire, Solid, 16 X 5 X 12.12, 2-27

Tire, Solid, 16.2X6.0X11.2, 2-23  
Tray Wldt, Battery, 500ah, 750ah, 3-133  
Tray Wldt, Power Wand, 3-113  
Tray, Debris, 40.0l, 3-67  
Tray, Debris, 40L, W/Holes, 3-65  
Tray, Debris, 48.0l, 3-85  
Tray, Debris, 48L, W/Holes, 3-83  
Tread, Floor, 12.5 X 5.75, 3-37, 3-69  
Tread, Non Skid, 2.2w 11.5l, 2-21  
Tread, Non-Skid, 02.2 11.5, 2-21  
Tread, Non-Skid, 06.0w X 15.5l, 2-21  
Tread, Non-Skid, 2-21  
Tread, Step, 3-37  
Tube Assy, 2 Inch, 2-41  
Tube Assy, Spray Bar 40" [7300/8300], 3-57  
Tube Wldt, Upper, 3-67, 3-85  
Tube Wldt, 3-47, 3-67, 3-85  
Tube, 0.34id 0.62od 00.2l, Stil, 3-93  
Tube, 0.69ld 1.25Od 00.4L, Blk, Rod-End, 2-51, 3-37, 3-51, 3-69  
Tube, Guard, Oprtr, Pnt, Lh, 3-13  
Tube, Guard, Oprtr, Pnt, Rh, 3-13  
Tube, Pvc, Shc80, Clear, 4.0l, 2-35  
Tube, Wand, Vacuum, Metal, 3-115

### V

Vacuum Fan, 4-5  
Valve Kit, Pump, 4-12  
Valve, Ball, Drain, 1.50ID, Ss, Rwk, 3-99, 3-101  
Valve, Check, 2 Gpm 0.5psi Bm04/Bm04, 2-33  
Valve, Check, 2 Gpm 3" 06bm/08bm, 2-31  
Valve, Check, 0002psi [Fast li+], 4-19  
Valve, Check, 0005psi [Fast li+], 4-19  
Valve, Check, 0005psi Bm06/Bm08, 2-37  
Valve, Check, 0030psi Pm04/Pf04, 3-93  
Valve, Flow Control, Hose Adapter, 3-89  
Valve, Solenoid, 0.25" Orifice, 24vdc, 4-17  
Valve, Solenoid, 36vdc, 3-87  
Valve, Vent, Air, Float Type, 3-93  
Valve, Water, 36vdc, 6.0mm, 04pf, 2-31  
Valve, Water, Solenoid, 36vdc 6.0mm Pf04, 2-37  
Valve, Water, 2-39, 2-53, 2-55, 3-39, 3-41, 3-55, 3-57, 3-73, 3-75, 3-109  
Video, Operator, Vhs, Ntsc [7300], 3-144  
Video, Oprtr, Training, Dvd [7300], 3-144

### W

Wand, Clean-Out, 3-89  
Wand, 3-109  
Washer, 0.25b 1.12d .12, Ss, 3-53, 3-71  
Washer, .625 B, 2.50 Od, .211 T, Ss, 3-23, 3-29  
Washer, 0.31b 0.88d .12, Rbr, 2-29, 3-89  
Washer, 0.40B 1.12D .12, Stil, PI, 3-51, 3-69

Washer, 0.40b 1.12d .12, Stil, PI, 2-45  
Washer, 0.53b 1.88d .12, Stil, PI, 2-67, 3-117, 3-119  
Washer, 0.60b 1.31d .10, Ss, 2-63  
Washer, 0.81b 1.24d .03, Stil, PI, 3-25, 3-31  
Washer, Belleville, .31, 2-49, 3-35  
Washer, Belleville, .38, 2-23  
Washer, Finish, M06, PI, 2-15  
Washer, fl neo, 10.8x22x1.5, 4-3  
Washer, Flat, .25 Sae, 3-27  
Washer, Flat, .31 Fender, 2-17  
Washer, Flat, .31 Sae, 3-27  
Washer, Flat, .31 Ss, 3-27, 3-33, 3-127  
Washer, Flat, .38 Ss, 3-23, 3-27, 3-33  
Washer, Flat, .38 Std, 2-65, 3-29  
Washer, Flat, #06, 2-33  
Washer, Flat, #10 Ss, 2-73, 3-123  
Washer, Flat, #10, 2-31  
Washer, Flat, 0.25 Sae, 2-73, 3-47, 3-67, 3-85  
Washer, Flat, 0.25 Ss, 2-77, 3-65, 3-83  
Washer, Flat, 0.25 Std, 2-31, 2-33, 2-73, 2-77  
Washer, Flat, 0.25, Sae, 2-45  
Washer, Flat, 0.25, Std, 3-93  
Washer, Flat, 0.31 Sae, 2-73, 3-123  
Washer, Flat, 0.31 Ss, 3-37, 3-69, 3-123  
Washer, Flat, 0.31 Std, 2-33, 2-73  
Washer, Flat, 0.31, Std, 3-77  
Washer, Flat, 0.34b 0.75d 0.12, Viton, 2-31  
Washer, Flat, 0.34b 0.69d .06, Nyl, 3-95  
Washer, Flat, 0.38 Std, 3-25, 3-57, 3-75  
Washer, Flat, 0.38b 0.88d .08, Ss, 3-129  
Washer, Flat, 0.40b 1.12d .12, Stil, PI, 2-47  
Washer, Flat, 08, Ss, 4-17  
Washer, Flat, 1.00 Sae Hard, 2-27  
Washer, Flat, 1.50 Std Hard, 2-75, 2-77  
Washer, Flat, 10, Ss, 2-37, 3-93  
Washer, Flat, 10, 2-81  
Washer, Flat, M12, 13x24x2.5ss, 3-61, 3-63, 3-79, 3-81  
Washer, Flat, 2-65  
Washer, Flt, .25 Sae, 2-11, 2-15, 2-71, 2-75, 2-79, 3-9, 3-19  
Washer, Flt, .25 Ss, 2-5, 2-7, 2-9, 2-13, 2-39, 2-47, 2-57, 2-59, 2-61, 2-65, 2-67, 2-75, 3-23, 3-29, 3-43, 3-45, 3-49, 3-53, 3-55, 3-57, 3-59, 3-61, 3-63, 3-67, 3-71, 3-73, 3-75, 3-77, 3-79, 3-81, 3-85, 3-87, 3-99, 3-101, 3-111, 3-119  
Washer, Flt, .25 Std, 2-21, 2-25, 2-53, 2-55, 2-71, 2-75, 3-39, 3-41  
Washer, Flt, .31 Sae, 2-25, 2-71, 3-5, 3-7, 3-19

Washer, Flt, .31 Ss, 2-9, 2-13, 2-19, 2-25,  
 2-29, 2-41, 2-47, 2-49, 2-53, 2-55,  
 2-57, 2-59, 2-61, 2-65, 2-67, 3-23,  
 3-29, 3-35, 3-37, 3-39, 3-41, 3-43,  
 3-45, 3-49, 3-55, 3-57, 3-59, 3-73,  
 3-75, 3-77, 3-87, 3-89, 3-105, 3-111,  
 3-117, 3-119, 3-123, 3-131, 3-133  
 Washer, Flt, .31 Std, 2-9, 2-11, 2-17, 2-23,  
 2-39, 2-69, 3-17, 3-19, 3-23, 3-25,  
 3-29, 3-31, 3-37  
 Washer, Flt, .31, 3-113  
 Washer, Flt, .38 Sae, 2-21, 3-25, 3-31  
 Washer, Flt, .38 Ss, 2-29, 2-41, 2-49, 2-51,  
 2-57, 2-59, 2-61, 2-63, 2-65, 3-11,  
 3-13, 3-35, 3-37, 3-43, 3-45, 3-49,  
 3-51, 3-53, 3-59, 3-61, 3-63, 3-69,  
 3-71, 3-77, 3-79, 3-81, 3-117  
 Washer, Flt, .38 Std, 3-13, 3-99, 3-101  
 Washer, Flt, .50 Sae, 2-21, 2-27, 3-9, 3-19,  
 3-23, 3-29, 3-37  
 Washer, Flt, .50 Ss, 2-47, 2-67, 3-117,  
 3-119  
 Washer, Flt, .50 Std, 2-17, 2-47, 3-15,  
 3-25, 3-31, 3-43, 3-51, 3-69  
 Washer, Flt, .75 Sae, 2-9  
 Washer, Flt, #06, 3-113, 3-115  
 Washer, Flt, #08 Ss, 2-5, 2-7, 3-105  
 Washer, Flt, #10 Ss, 2-21, 2-39, 2-41,  
 2-43, 2-47, 2-69, 2-71, 3-91  
 Washer, Flt, #10, 2-15, 2-71, 2-73, 2-75,  
 2-77, 3-5, 3-9, 3-19, 3-27  
 Washer, Lock, Int, .25, 2-71, 2-73, 2-75  
 Washer, Lock, Int, .31, 2-33, 2-71, 2-73,  
 2-75, 2-77, 3-19, 3-27  
 Washer, Lock, Int, .38, 2-75, 2-77  
 Washer, Lock, Int, #06, Ss, 3-27  
 Washer, Lock, Int, #08, Ss, 2-73  
 Washer, Lock, Int, #10, Ss, 2-73, 2-75,  
 2-77, 3-19  
 Washer, Lock, Int, #10, 2-9, 2-21, 2-71,  
 2-73, 3-9, 3-27  
 Washer, Neo., 4-5  
 Washer, Polye, 3-99, 3-101  
 Washer, Rbr, .12 0.66b 1.00d, 3-87  
 Washer, Rbr, .68idx1.00d, 3-89  
 Washer, Thrust, 0.61b 1.25d .06, Fgl,  
 2-59, 2-61, 2-65, 3-45, 3-49, 3-61,  
 3-63, 3-79, 3-81  
 Washer, 2-19, 2-63, 4-3, 4-13  
 Wheel, 3.0d 1.38w 0.50b, 2-2, 2-3, 2-63  
 Wheel, 4.0d 0.89w 0.64b, 3-117  
 Wheel, 4.0d 0.98w 0.78b, 2-9  
 Wheel, Steering, 14.0d, Taper Bore, 2-17,  
 3-19  
 Wheel, 3-109  
 Wire Assy, 02ga 27.0l Blk .34h /.34h,  
 2-75, 2-77  
 Wire Assy, 02ga, 10.0l, Blk, 2-77  
 Wire Assy, Jumper Reverse, [515], 3-53,  
 3-71  
 Wire, 04ga 09.0l Blk .34ring /.28ring, 2-75  
 Wire, 04ga 32.0l Blk .31ring /.31ring, 2-75  
 Wire, 06ga 11.0l Blk .34ring /.28ring, 2-75  
 Wire, 06Ga 09.0L Blk .34 Ring/.34 Ring,  
 2-77





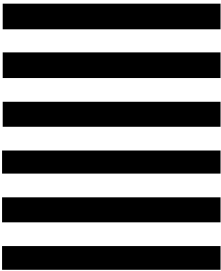




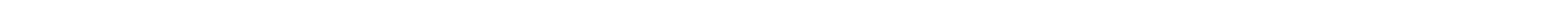
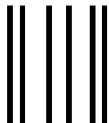
**TENNANT COMPANY**  
 Technical Publications #15  
 701 North Lilac Drive  
 P.O. Box 1452  
 Minneapolis, MN 55440-9947

POSTAGE WILL BE PAID BY ADDRESSEE

**BUSINESS REPLY MAIL**  
 FIRST CLASS MAIL PERMIT NO. 94 MINNEAPOLIS, MN

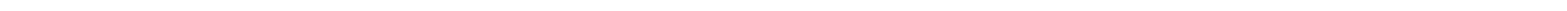


NO POSTAGE  
 NECESSARY  
 IF MAILED  
 IN THE  
 UNITED STATES



Fold along dotted lines

Tape here



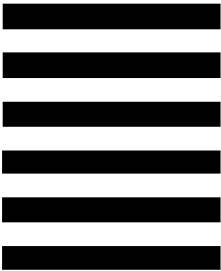




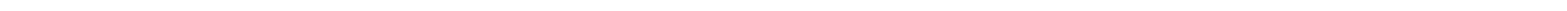
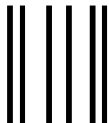
**TENNANT COMPANY**  
 Technical Publications #15  
 701 North Lilac Drive  
 P.O. Box 1452  
 Minneapolis, MN 55440-9947

POSTAGE WILL BE PAID BY ADDRESSEE

**BUSINESS REPLY MAIL**  
 FIRST CLASS MAIL PERMIT NO. 94 MINNEAPOLIS, MN



NO POSTAGE  
 NECESSARY  
 IF MAILED  
 IN THE  
 UNITED STATES



Fold along dotted lines

Tape here

